

# NEMA 1 Conversion Kit

## iC2-Micro Frequency Converters

### 1 Overview

#### 1.1 Description

This installation guide explains how to install the NEMA 1 conversion kit for iC2-Micro Frequency Converters.

#### 1.2 Kit Numbers

Use these instructions with the following kits.

**Table 1: Kit Numbers for NEMA 1 Conversion Kits**

Kit number	Kit description
132G0195	NEMA 1 conversion kit, MA01c
132G0196	NEMA 1 conversion kit, MA02c
132G0197	NEMA 1 conversion kit, MA01a
132G0198	NEMA 1 conversion kit, MA02a
132G0199	NEMA 1 conversion kit, MA03a
132G0200	NEMA 1 conversion kit, MA04a
132G0201	NEMA 1 conversion kit, MA05a

#### 1.3 Items Supplied

The following parts are contained in the kit.

**Table 2: Items Supplied in NEMA 1 Conversion Kits**

Item	Quantity
Metal plate	1
Bottom cover	1
U-terminal (for MA01c/MA02c/MA01a/MA02a/MA03a)	2-3 (depends on enclosure size)
Terminal strap (MA04a/MA05a)	2
M4x10 screw	3-6 (depends on enclosure size)

#### 1.4 Safety Information

Only qualified personnel are allowed to install the NEMA 1 conversion kit described in this installation guide.

For important information about safety precautions for installation, refer to the drive's operating guide.

### ⚠ WARNING ⚠

#### DISCHARGE TIME

The drive contains DC-link capacitors, which can remain charged even when the drive is not powered. High voltage can be present even when the warning indicator lights are off.

- Stop the motor, and disconnect AC mains, permanent magnet type motors, and remove DC-link supplies, including battery back-ups, UPS, and DC-link connections to other drives.
- Wait for the capacitors to discharge fully and measure it before performing any service or repair work.
- The minimum waiting time is 4 minutes for MA01-02c and MA01-03a drives, and 15 minutes for MA04-05a drives.

## 2 Installation

### 2.1 Mounting the NEMA 1 Conversion Kit

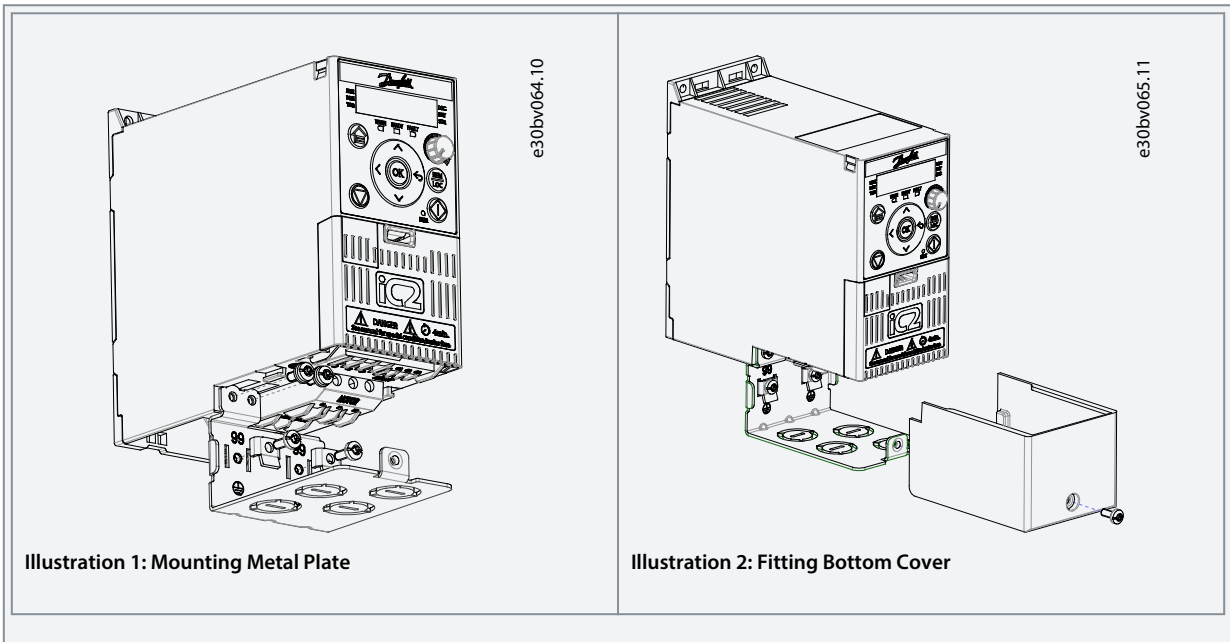
**Procedure**

1. Mount U-terminals for MA01c/MA02c/MA01a/MA02a/MA03a or terminal straps for MA04a/MA05a on the metal plate and tighten screws, see [Illustration 1](#). Maximum tightening torque: 2 Nm (17.7 in-lb).
2. Mount metal plate on the drive and tighten screws, see [Illustration 1](#). Maximum tightening torque: 2 Nm (17.7 in-lb).

Conduit sizes:

- MA01c: 4 x 1/2"
- MA02c: 5 x 1/2"
- MA01a: 4 x 1/2"
- MA02a: 4 x 1/2" and 1 x 3/4"
- MA03a: 2 x 1/2" and 3 x 3/4"
- MA04a/MA05a: 3 x 1/2" and 3 x 1"

3. Fit bottom cover on the drive and tighten screw, see [Illustration 2](#). Maximum tightening torque: 1.5 Nm (13.3 in-lb).



**Danfoss A/S**  
 Ulsnaes 1  
 DK-6300 Graasten  
[drives.danfoss.com](http://drives.danfoss.com)

Danfoss can accept no responsibility for possible errors in catalogs, brochures, and other printed material. Danfoss reserves the right to alter its products without notice. This also applies to products already on order provided that such alterations can be made without subsequential changes being necessary in specifications already agreed. All trademarks in this material are property of the respective companies. Danfoss and the Danfoss logotype are trademarks of Danfoss A/S. All rights reserved.

M0035501

