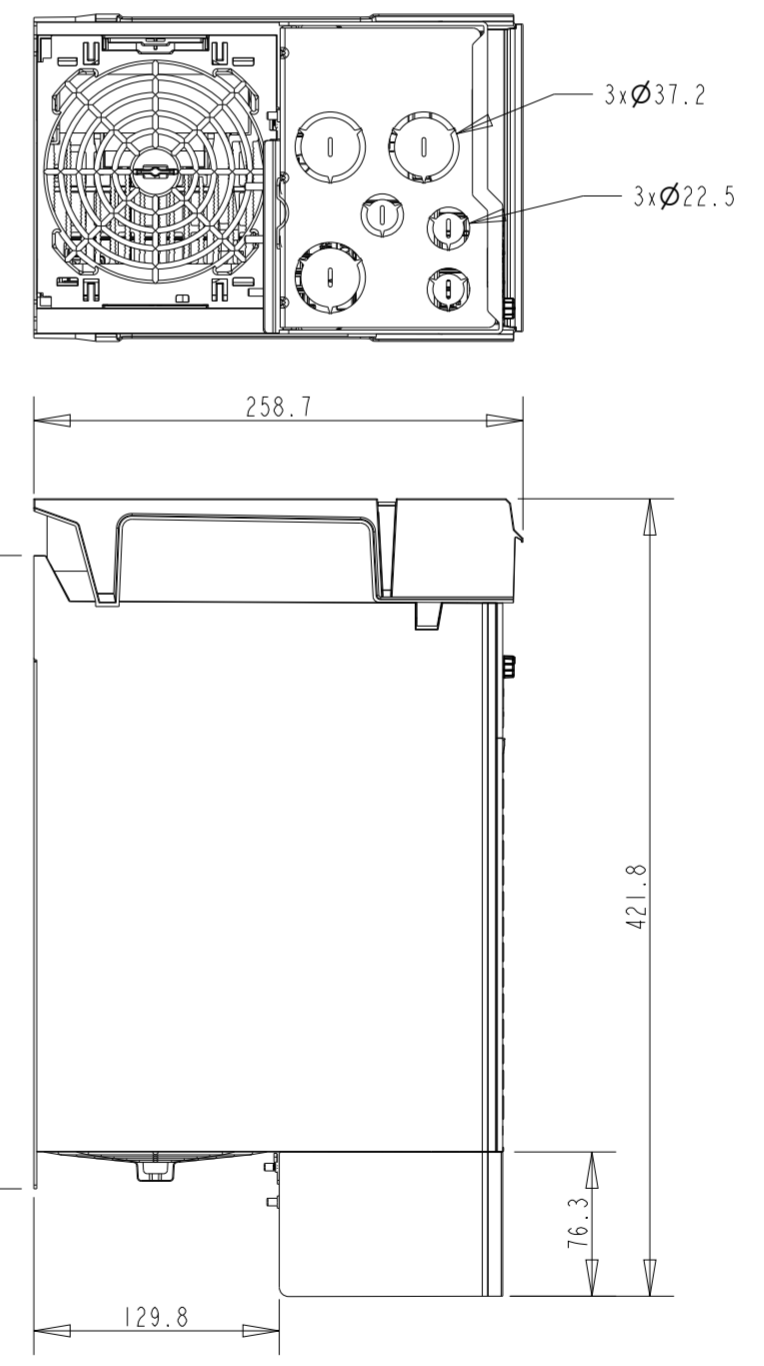
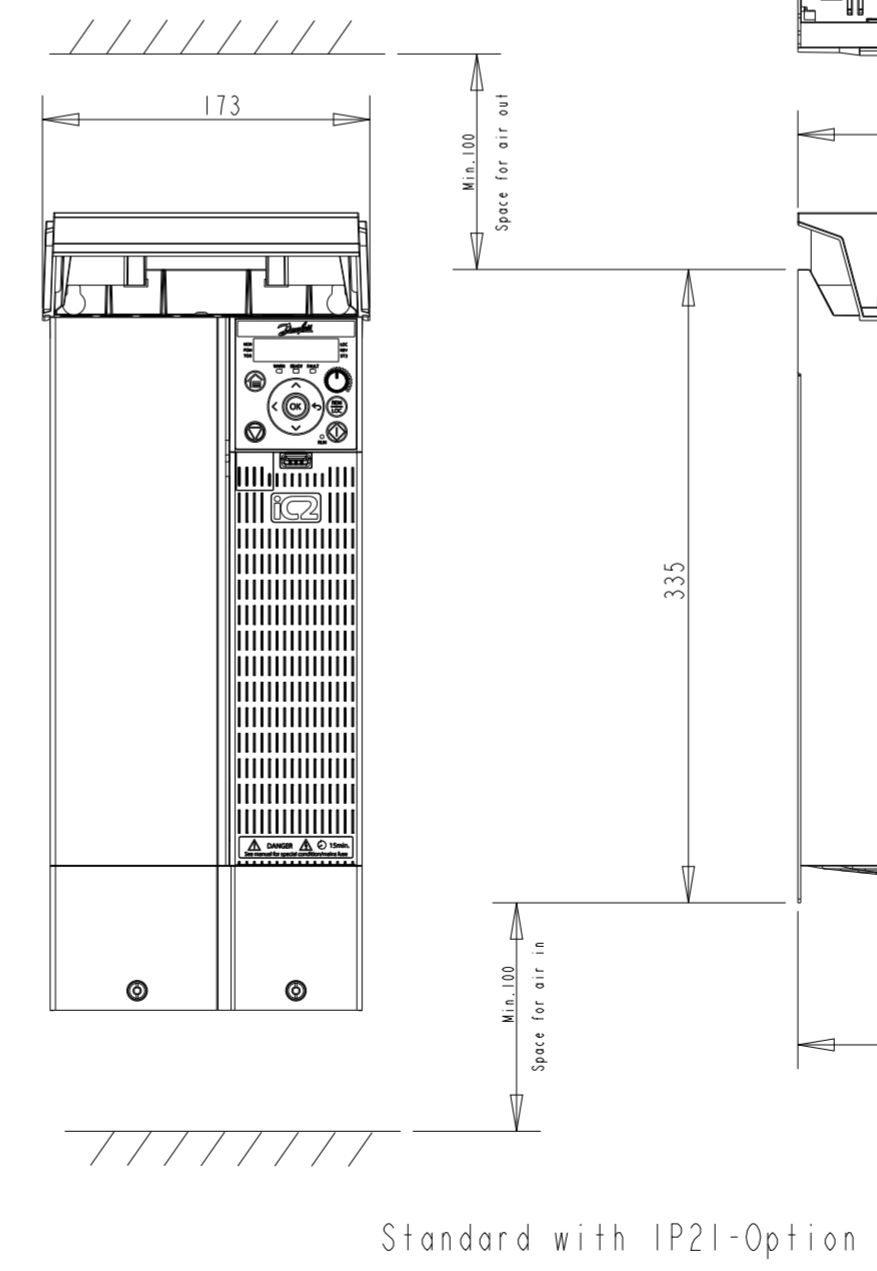
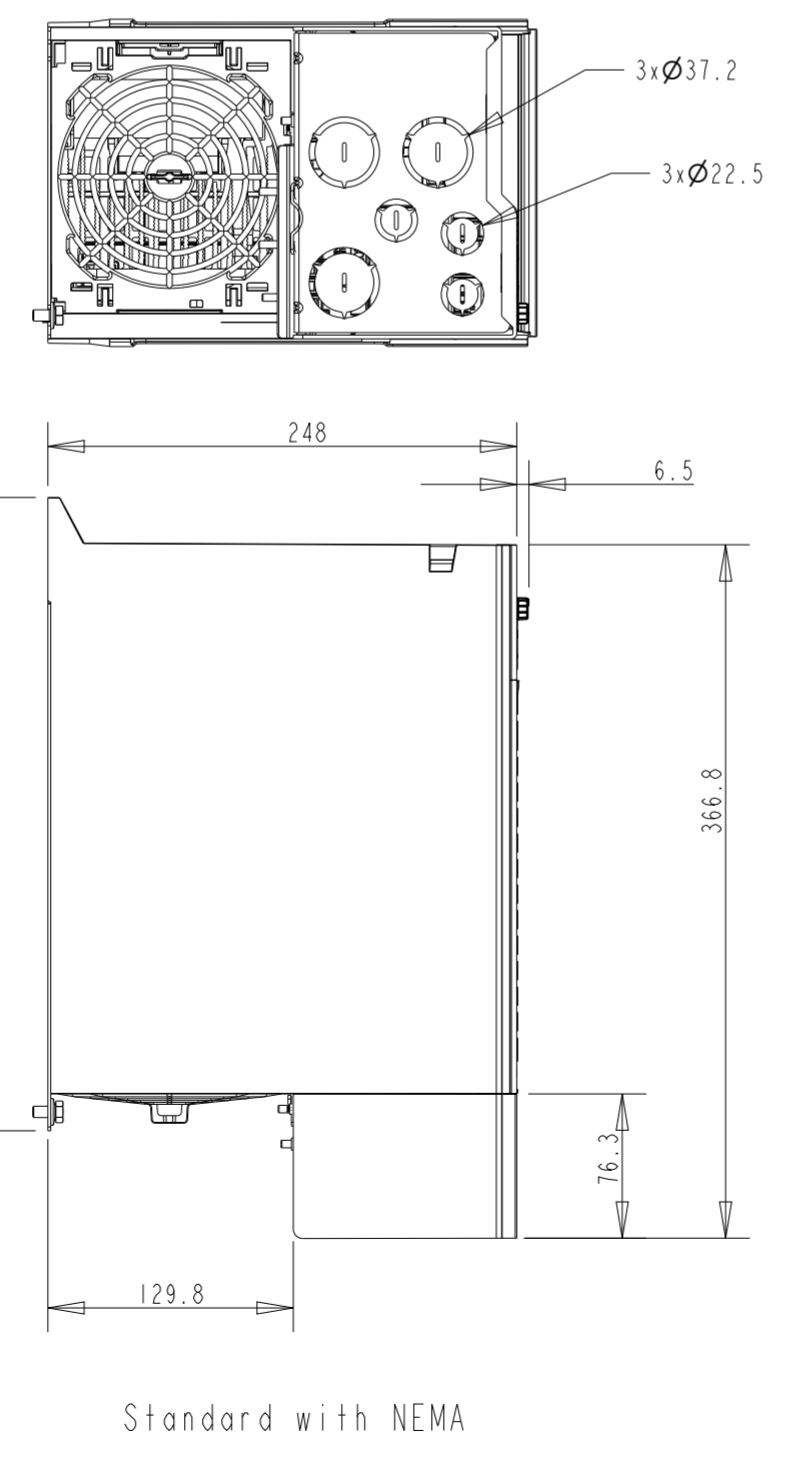
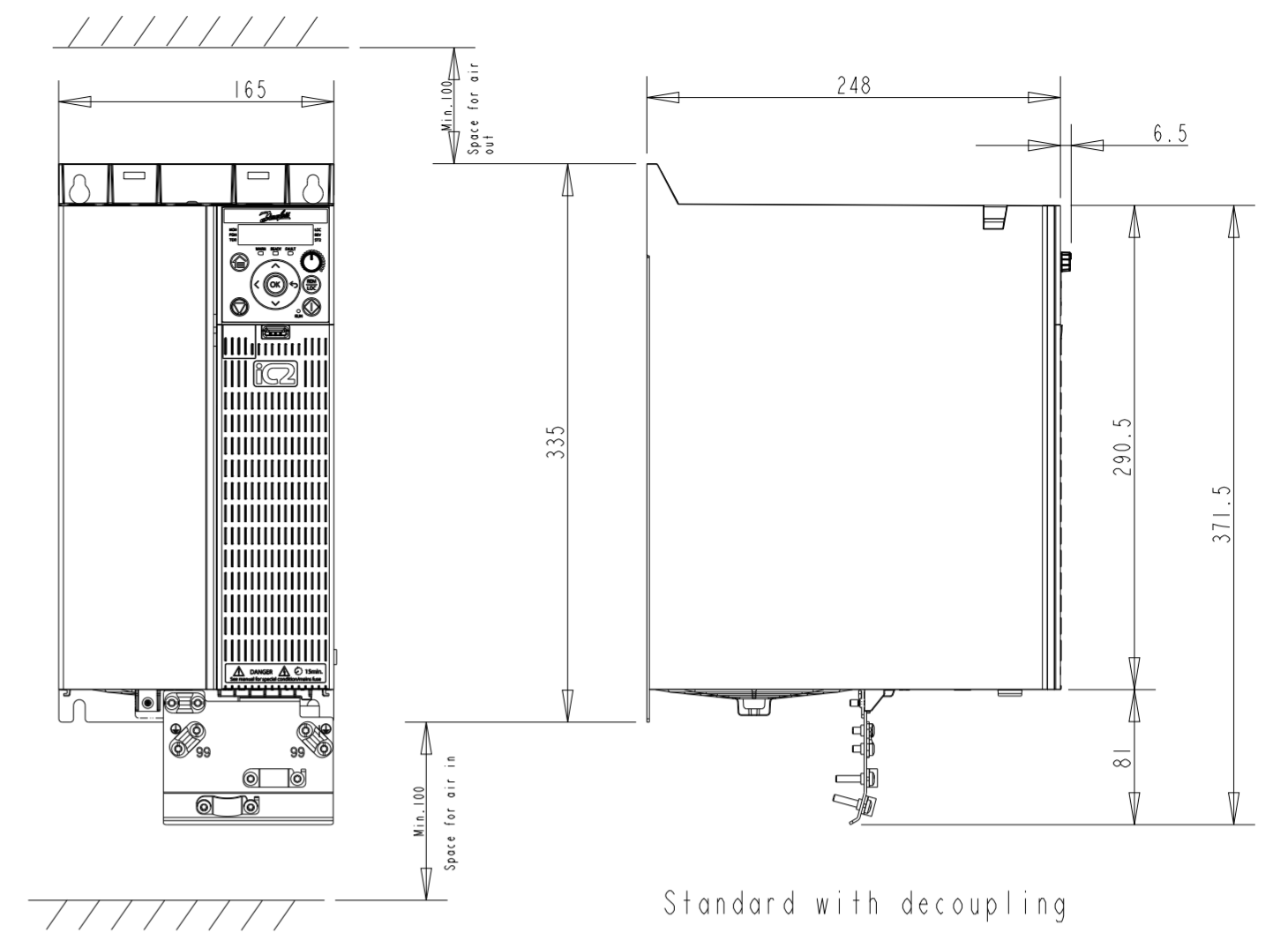
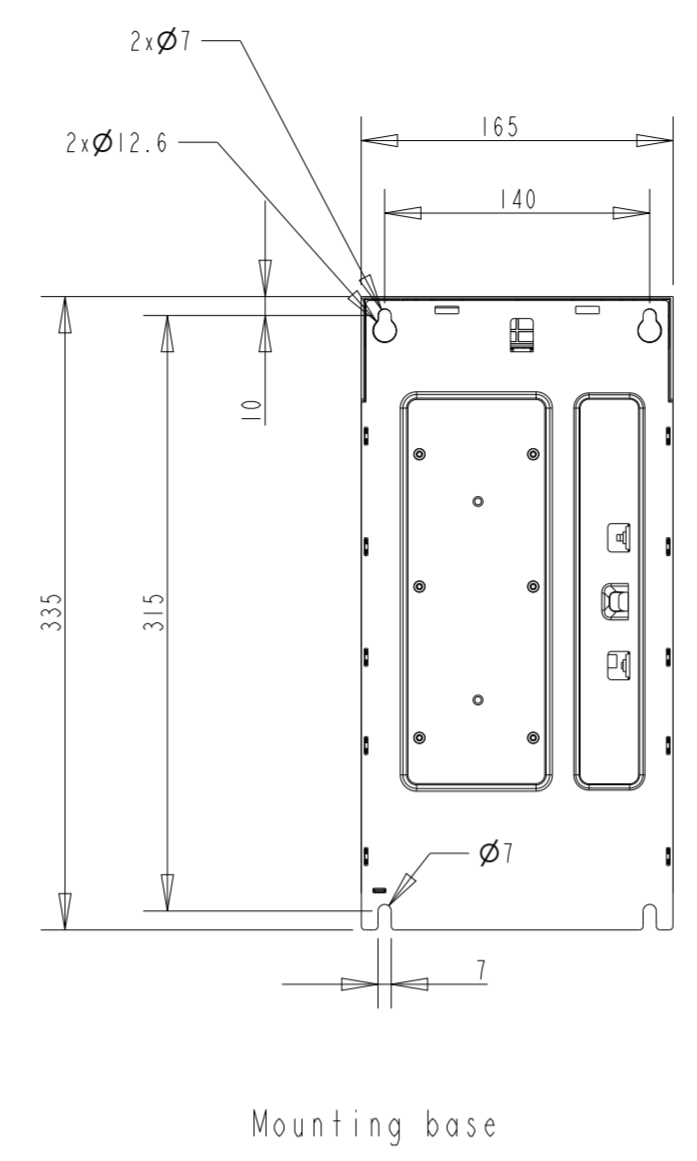
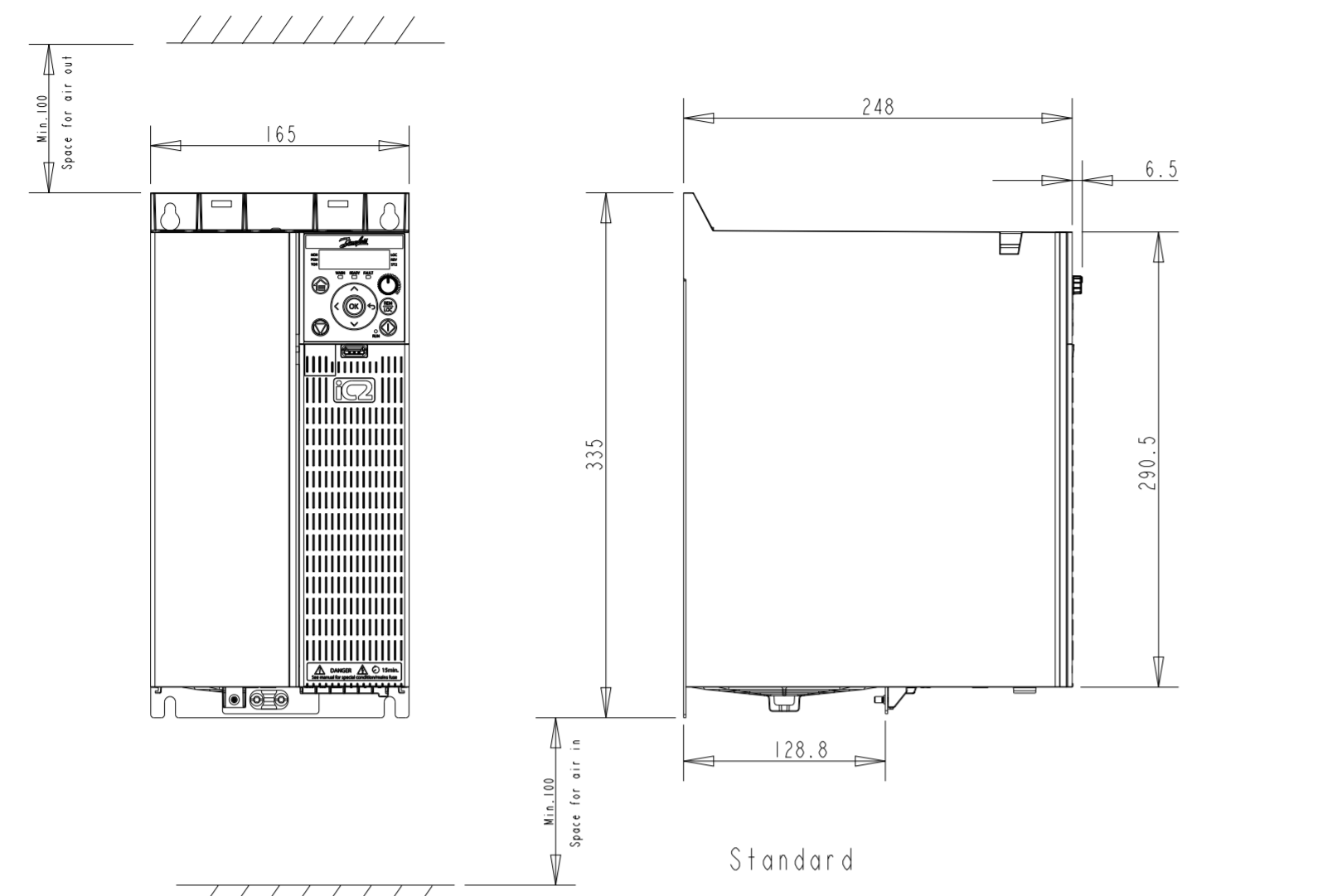


2 3 4 5 6 7 8 9 10 11 12

A B C D E F G H



Ⓞ CRITICAL CHARACTERISTICS
 ▽ KEY CHARACTERISTICS
 ○ INSPECTION
 MUST COMPLY TO ROHS DIRECTIVE 2011/65/EU

UNLESS OTHERWISE SPECIFIED INTERPRET DIM. & TOL. PER ASME Y14.5M-1994 ALL DIMENSIONS ARE IN MILLIMETERS .X±1.0 .XX±0.50 <±1.0		THIRD ANGLE PROJECTION	SCALE 0.250	SIZE A2	MATERIAL
— PDM CONTROLLED DRAWING — NOT VALID WITHOUT FROZEN DATE IN ID STAMP			DESCRIPTION iC2_MA05a_Installation		
CHANGED	DESIGNED Oshin Bose 12/01/23		CHECKED	DRAWING NUMBER iC2_MA05A_INSTALLATION	
CONFIDENTIAL: PROPERTY OF DANFOSS A/S NORDBORG, DENMARK. NOT TO BE HANDED OVER TO BE COPIED OR BE USED BY A THIRD PARTY. TWO OR THREE DIMENSIONAL REPRODUCTION OF CONTENTS TO BE AUTHORIZED BY DANFOSS A/S.			MODEL	REV	SHEET 1 OF 1