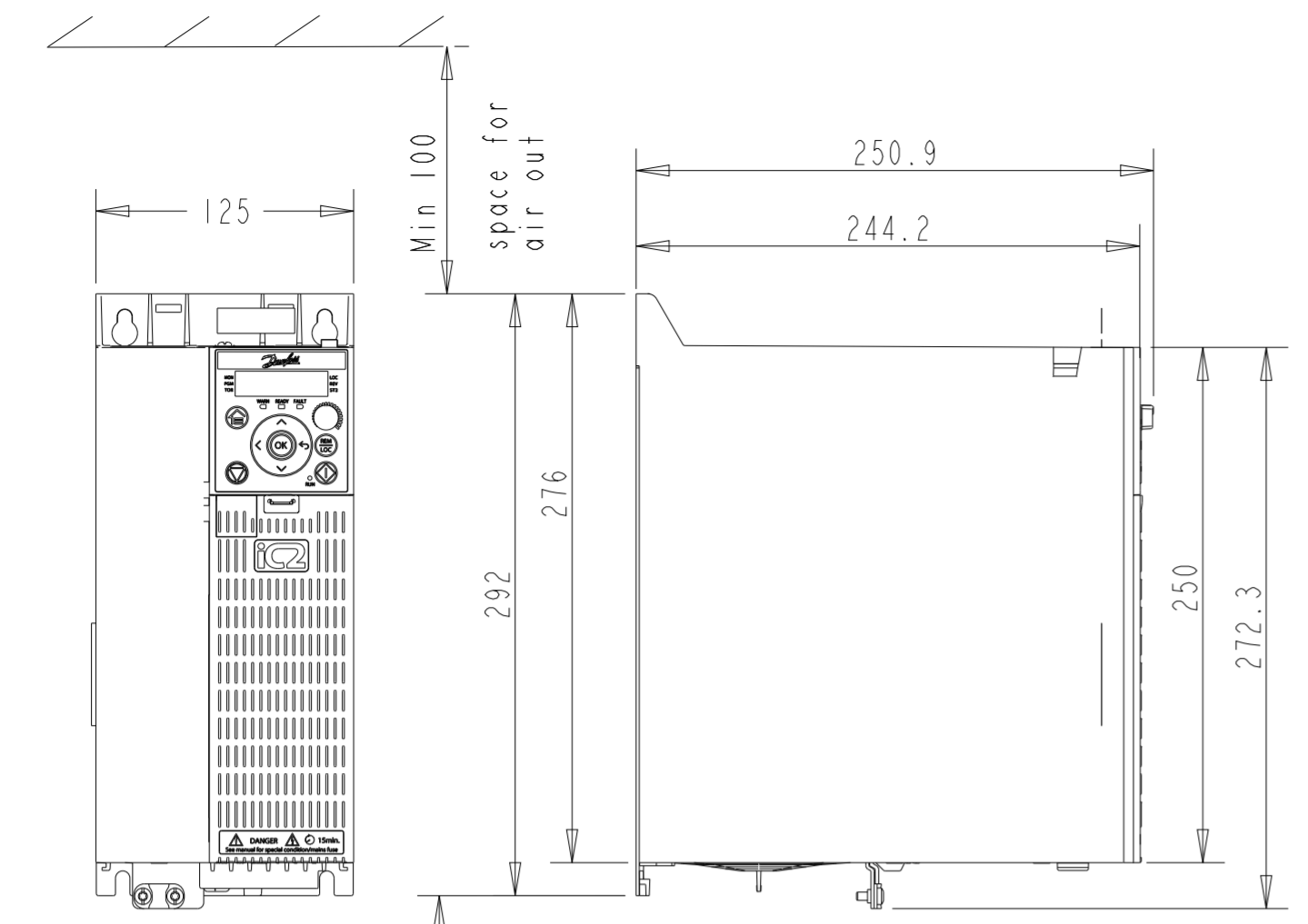


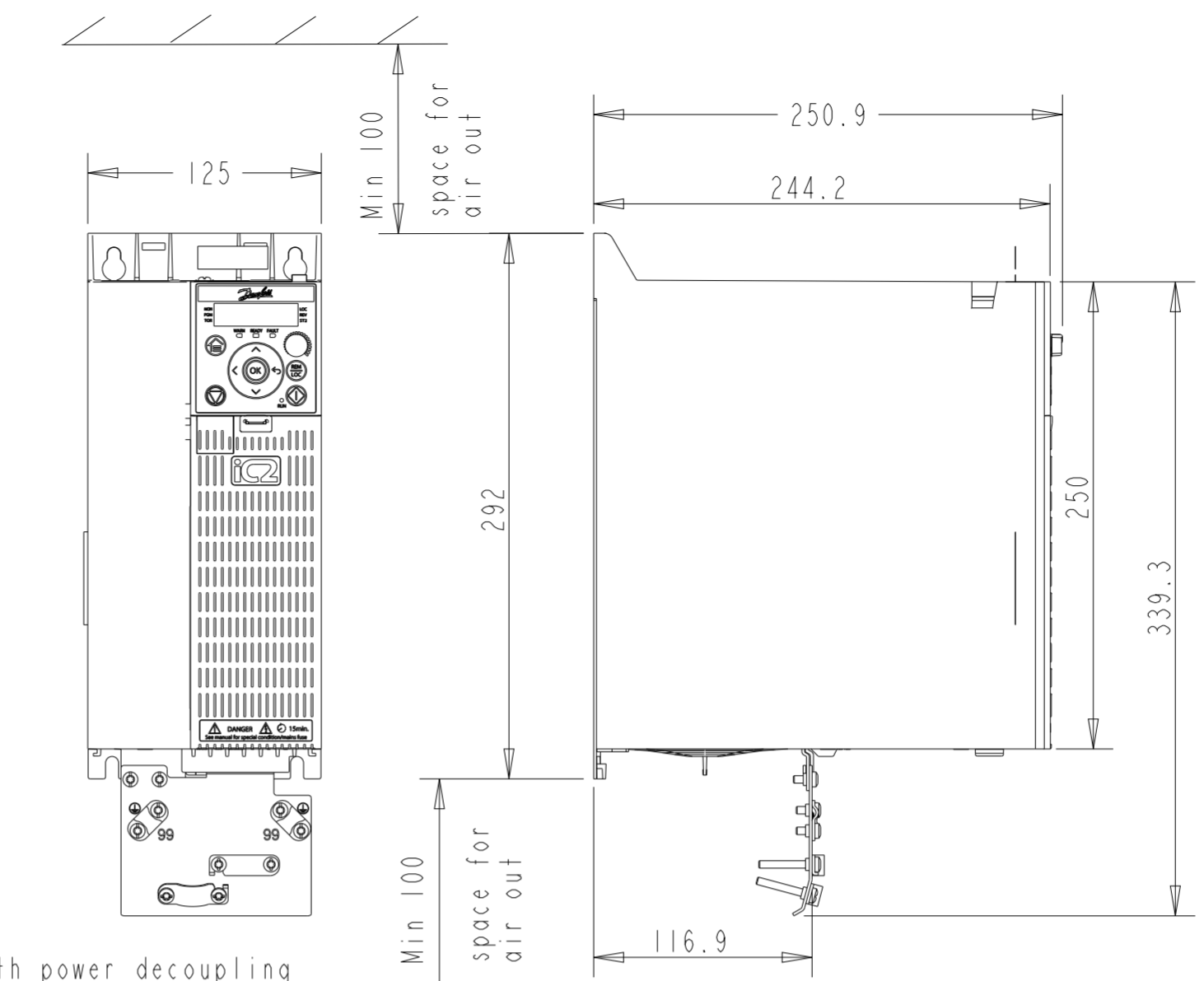
2 3 4 5 6 7 8 9 10 11 12

A
B
C
D
E
F
G
H

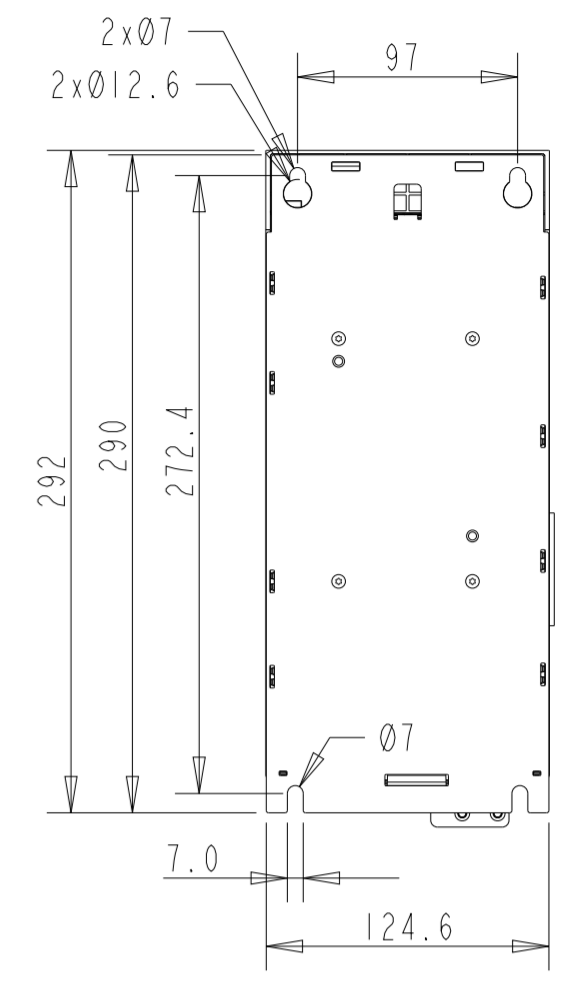
A
B
C
D
E
F
G
H



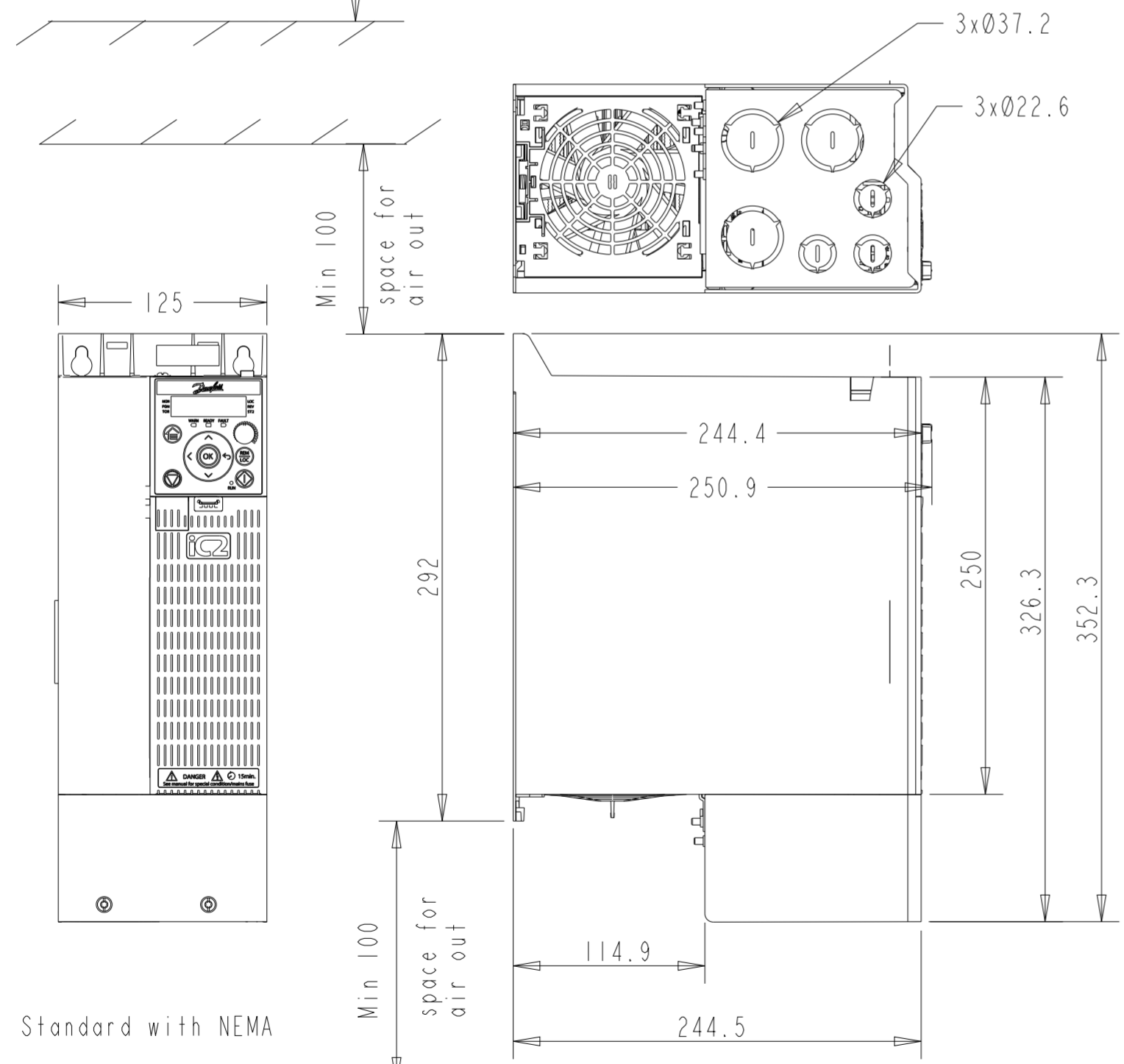
Standard



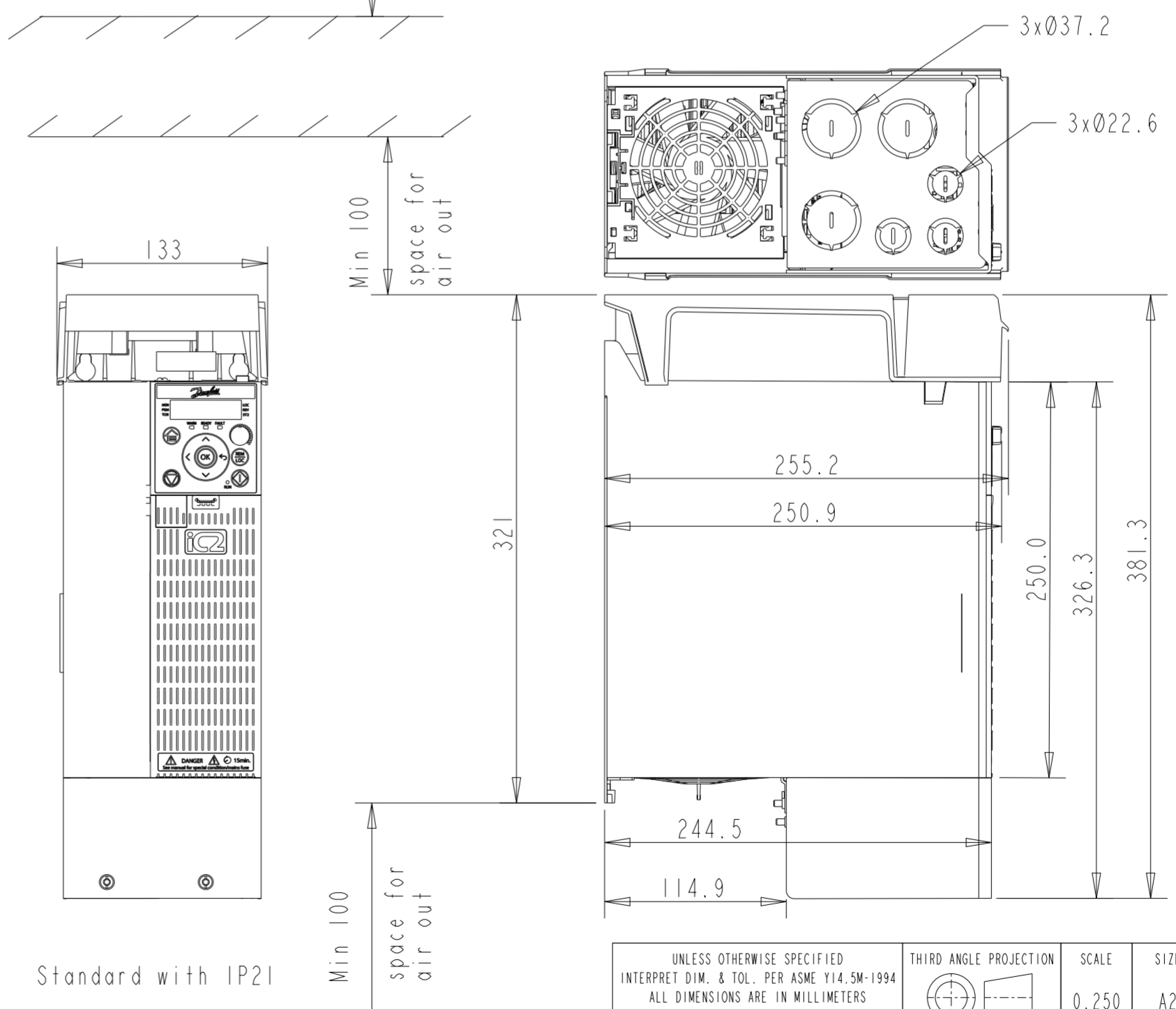
Standard with power decoupling



Mounting-Base



Standard with NEMA



Standard with IP21

Ⓞ CRITICAL CHARACTERISTICS
 ▽ KEY CHARACTERISTICS
 ○ INSPECTION
 MUST COMPLY TO ROHS DIRECTIVE 2011/65/EU

UNLESS OTHERWISE SPECIFIED INTERPRET DIM. & TOL. PER ASME Y14.5M-1994 ALL DIMENSIONS ARE IN MILLIMETERS .X±1.0 .XX±0.50 <±1.0		THIRD ANGLE PROJECTION	SCALE 0.250	SIZE A2	MATERIAL
— PDM CONTROLLED DRAWING — NOT VALID WITHOUT FROZEN DATE IN ID STAMP			DESCRIPTION iC2-Micro-MA04a		
CHANGED	DESIGNED DANFOSS		05/24/23	DRAWING NUMBER iC2-Micro-MA04a	
CHECKED			REV P1	SHEET 1 OF 1	
CONFIDENTIAL: PROPERTY OF DANFOSS A/S NORDBORG, DENMARK. NOT TO BE HANDED OVER TO BE COPIED OR BE USED BY A THIRD PARTY. TWO OR THREE DIMENSIONAL REPRODUCTION OF CONTENTS TO BE AUTHORIZED BY DANFOSS A/S.					