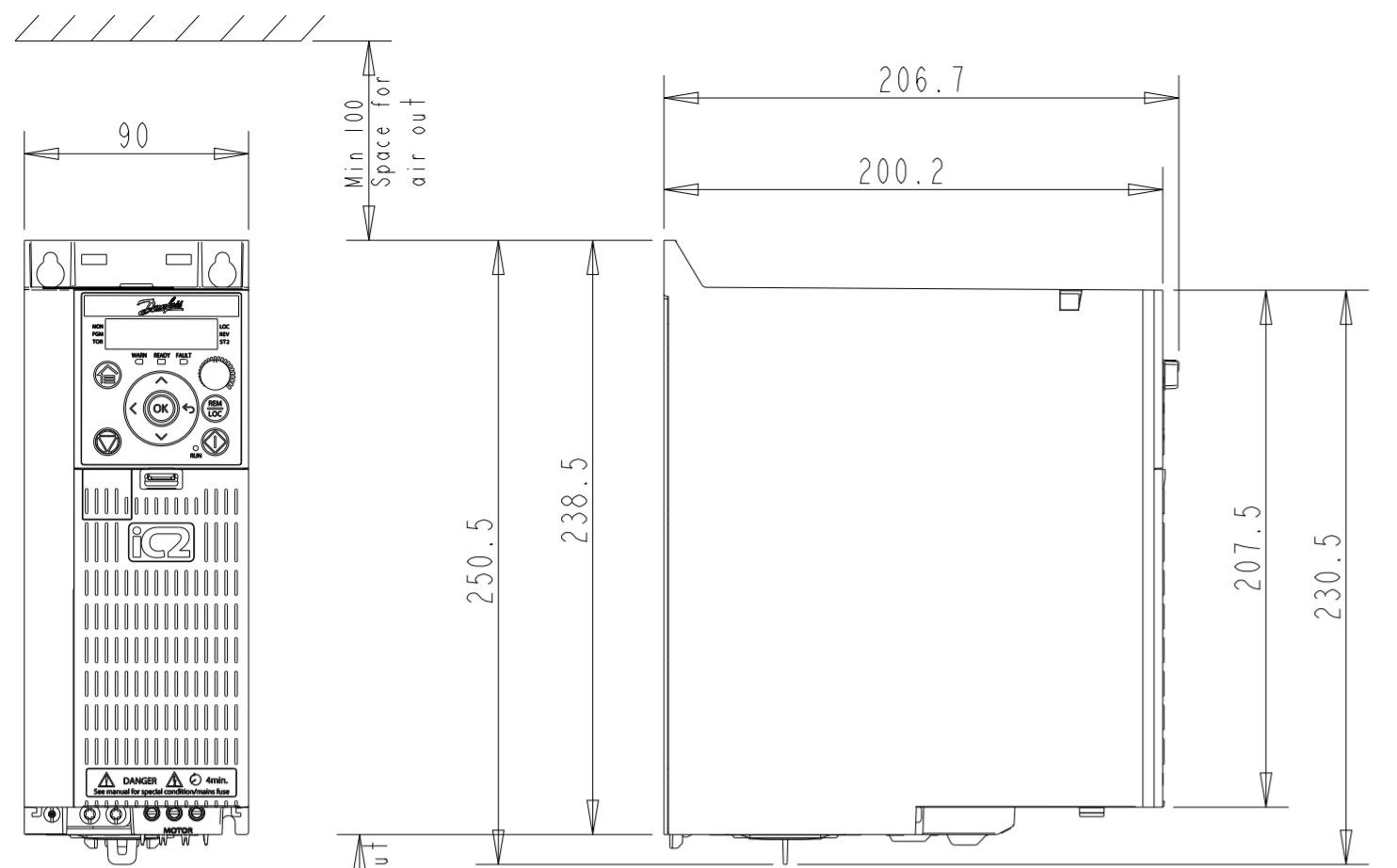
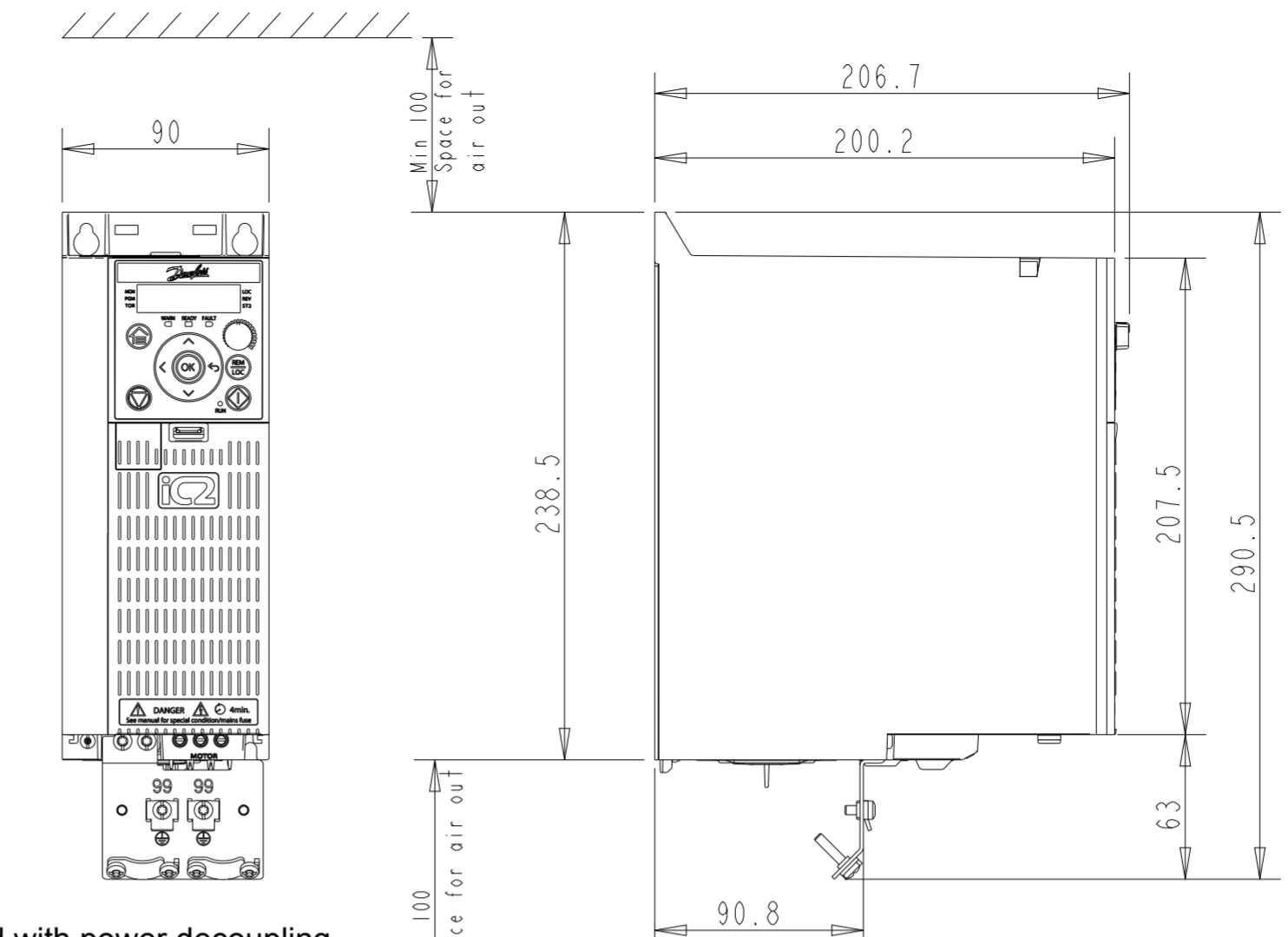


2 3 4 5 6 7 8 9 10 11 12

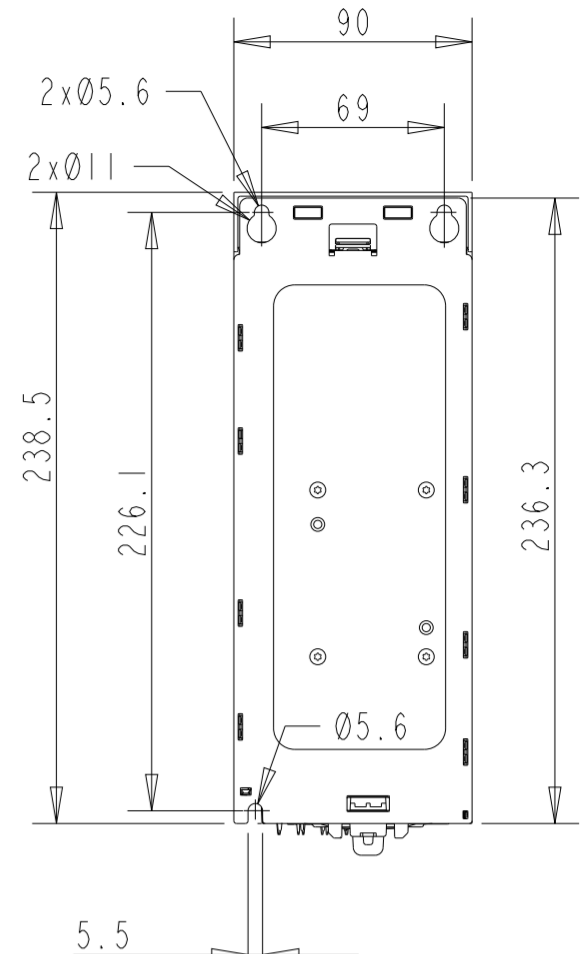
A B C D E F G H



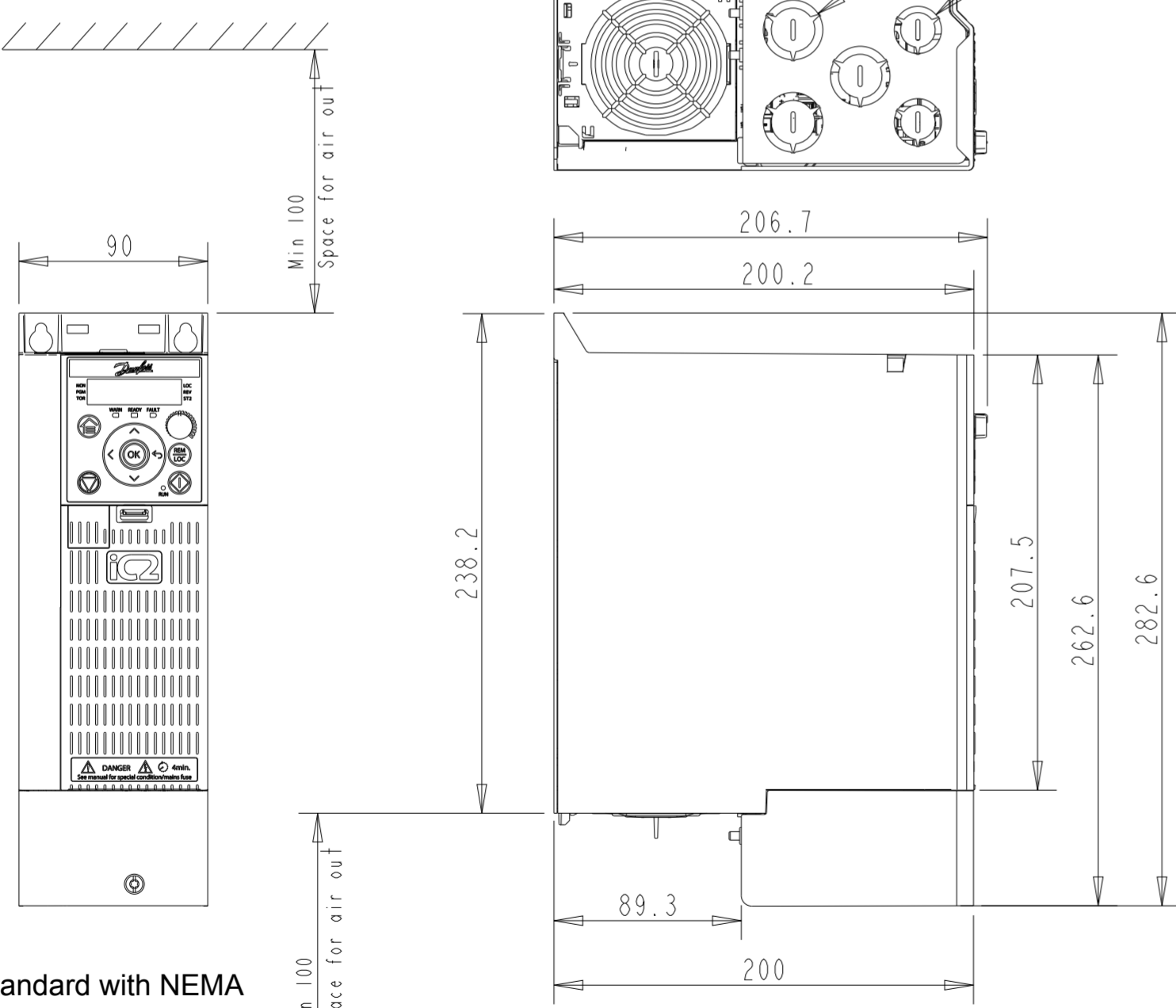
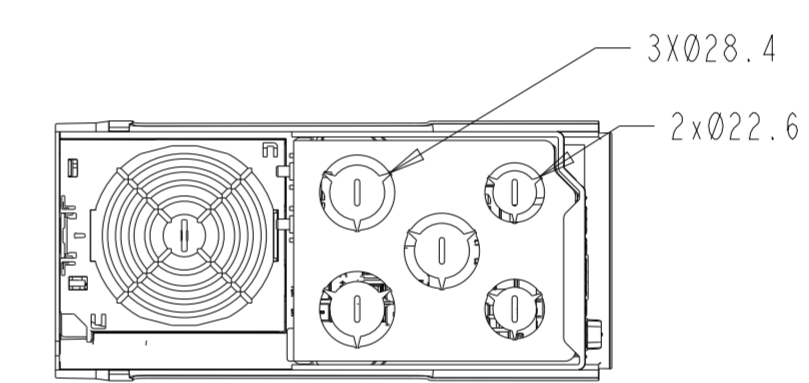
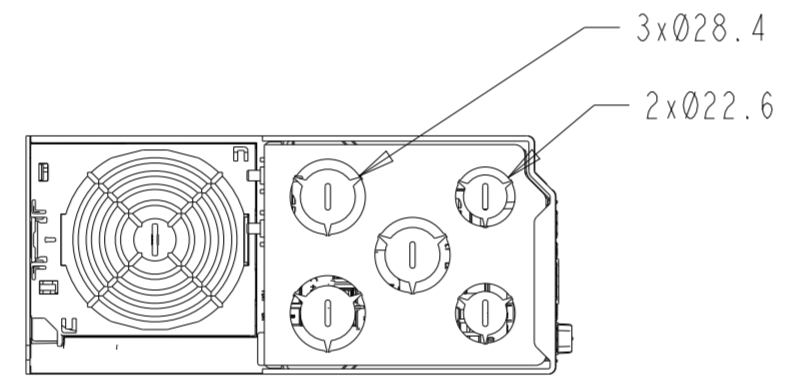
Standard



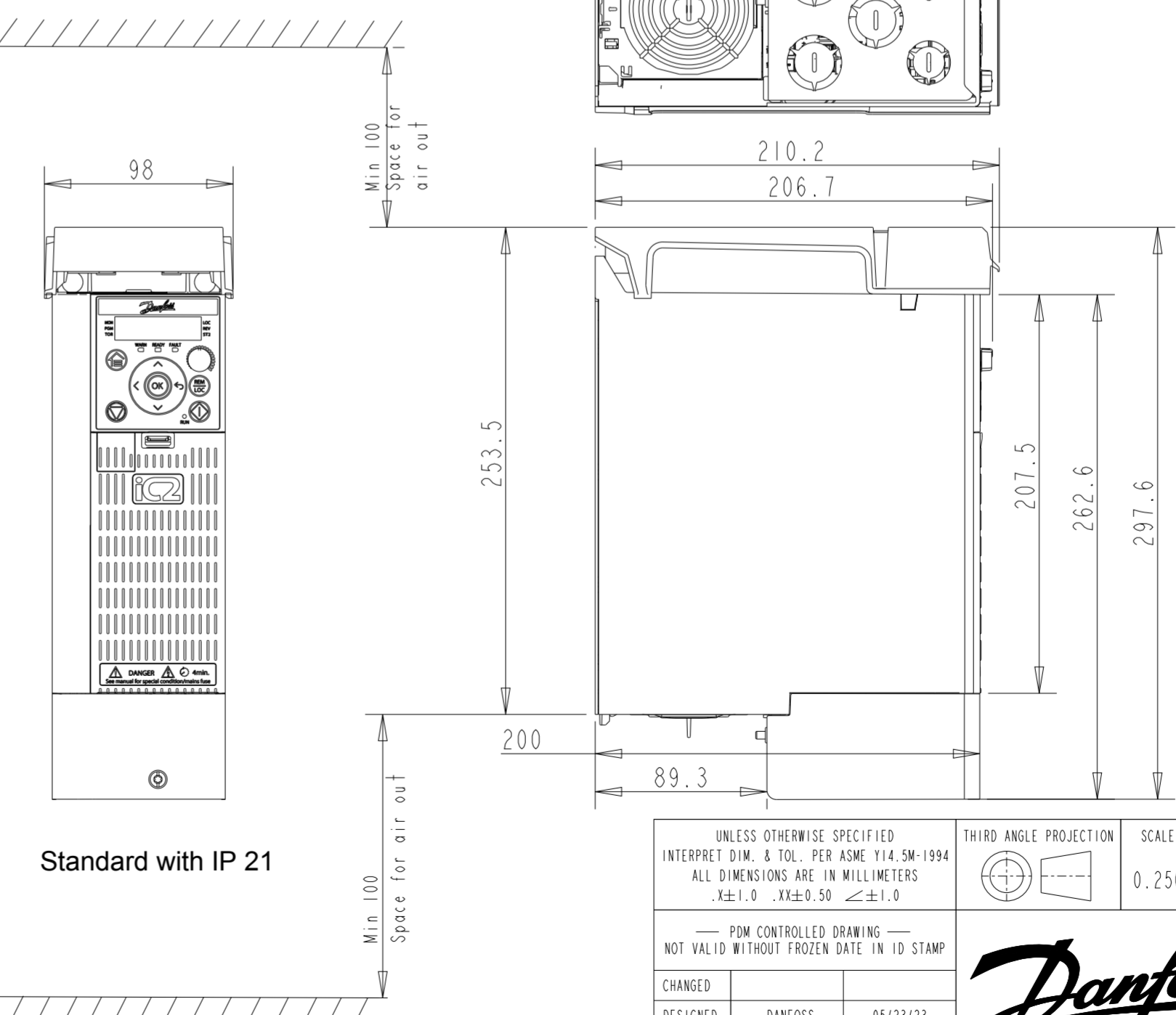
Standard with power decoupling



Mounting-Base



Standard with NEMA



Standard with IP 21

○ CRITICAL CHARACTERISTICS
 ▼ KEY CHARACTERISTICS
 ○ INSPECTION
 MUST COMPLY TO ROHS DIRECTIVE 2011/65/EU

UNLESS OTHERWISE SPECIFIED INTERPRET DIM. & TOL. PER ASME Y14.5M-1994 ALL DIMENSIONS ARE IN MILLIMETERS .XX±1.0 .XX±0.50 <±1.0		THIRD ANGLE PROJECTION	SCALE 0.250	SIZE A2	MATERIAL
— PDM CONTROLLED DRAWING — NOT VALID WITHOUT FROZEN DATE IN ID STAMP				FINISH	
CHANGED	DANFOSS			05/23/23	DESCRIPTION
DESIGNED	DANFOSS	05/23/23	iC2-Micro-MA03a		
CHECKED			DRAWING NUMBER iC2-Micro-MA03a		
CONFIDENTIAL: PROPERTY OF DANFOSS A/S NORDBORG, DENMARK. NOT TO BE HANDED OVER TO BE COPIED OR BE USED BY A THIRD PARTY. TWO OR THREE DIMENSIONAL REPRODUCTION OF CONTENTS TO BE AUTHORIZED BY DANFOSS A/S.			REV P1		SHEET 1 OF 1