

Flush Mounting Kit OA2

iC2-Micro Frequency Converters

1 Installation

1.1 Description

This installation guide explains how to install the Control Panel 2.0 OP2 with the Flush Mounting Kit OA2 on the cabinet door. This installation guarantees IP55 protection grade.

1.2 Items Supplied

The following parts are contained in the Flush Mounting Kit OA2 (kit number: 132G0236).

Table 1: Items Supplied in Flush Mounting Kit OA2

| Item | Quantity |
|-------------------------------|----------|
| CP 2.0 OP2 bracket | 1 |
| CP 2.0 OP2 cradle for cabinet | 1 |
| CP 2.0 OP2 sealing rubber 1 | 1 |
| CP 2.0 OP2 sealing rubber 2 | 1 |
| M3x8 screw | 3 |
| M4x16 screw | 3 |

1.3 Safety Precautions

Only qualified personnel are allowed to install the mounting kit described in this installation guide.

1.4 Mounting the Flush Mounting Kit OA2

Procedure

1. Fit the sealing rubber 1 on Control Panel 2.0 OP2 as shown in [Illustration 1](#).

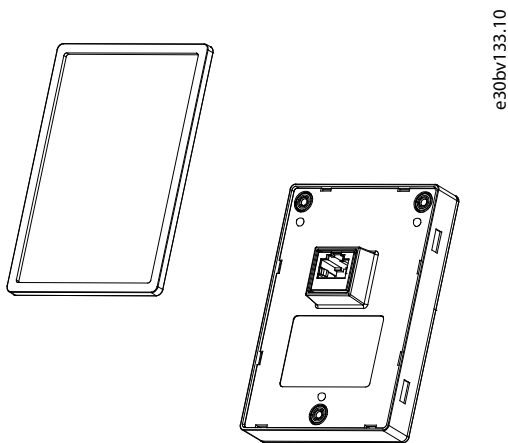


Illustration 1: Fitting the Sealing Rubber 1 on Control Panel 2.0 OP2

- Fit the cradle for cabinet on Control Panel 2.0 OP2 as shown in [Illustration 2](#).

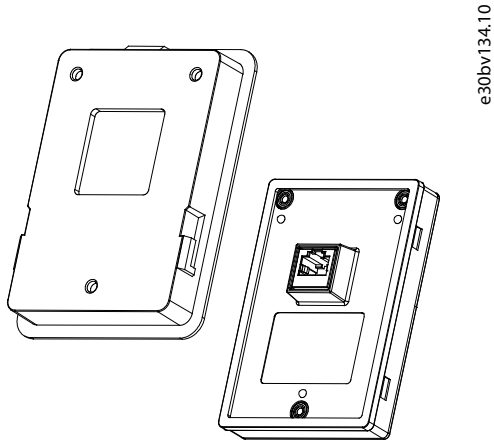


Illustration 2: Fitting the Cradle for Cabinet on Control Panel 2.0 OP2

- Tighten the M3x8 screws as shown in [Illustration 3](#). Tightening torque: 0.5 Nm (4.4 in-lb).

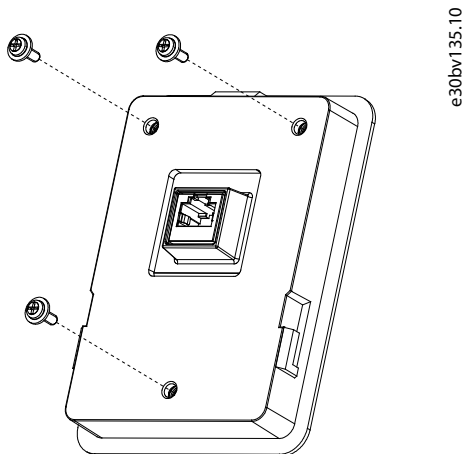


Illustration 3: Tightening Screws

- Fit the sealing rubber 2 on the cradle for cabinet. Place Control Panel 2.0 OP2 which is fixed with the cradle for cabinet and sealing rubber 2 on the cabinet door. See [Illustration 4](#) for dimensions of the mounting holes.

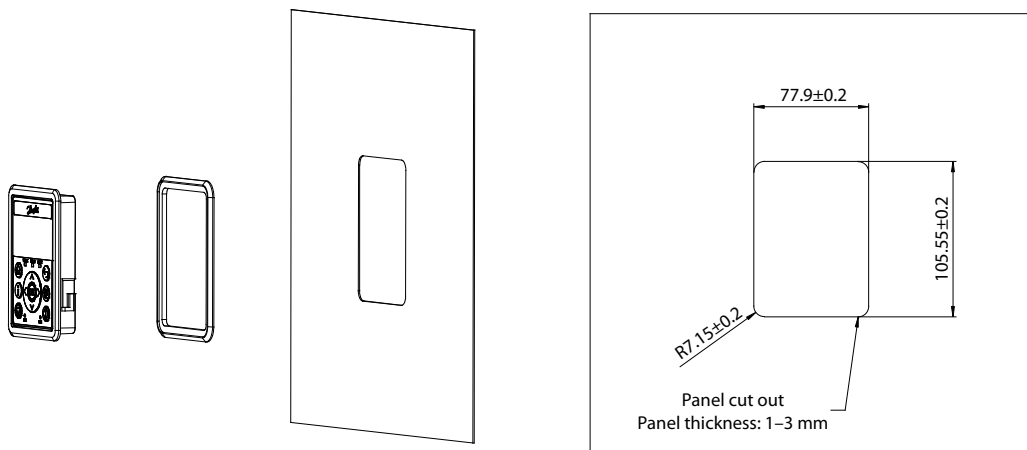


Illustration 4: Placing Control Panel 2.0 OP2 on the Cabinet Door

- Fit the bracket on the cradle for cabinet as shown in [Illustration 5](#).

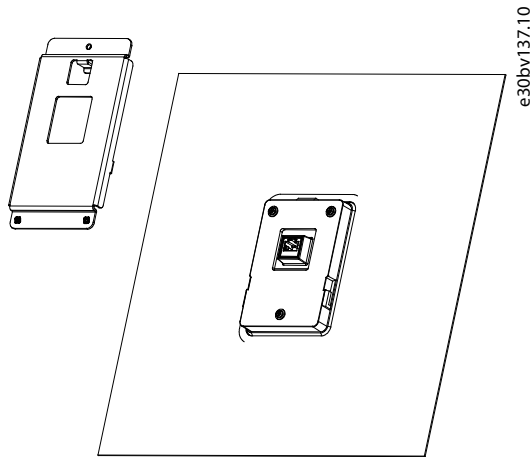


Illustration 5: Fitting the Bracket on Cradle for Cabinet

- Tighten the M4x16 screws as shown in [Illustration 6](#).

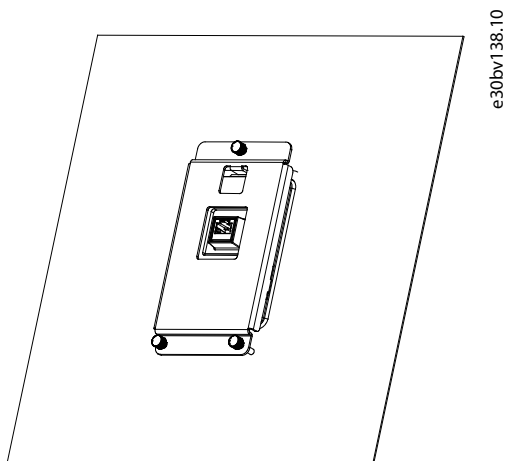


Illustration 6: Tightening Screws

- Connect the cable to Control Panel 2.0 OP2 as shown in [Illustration 7](#).

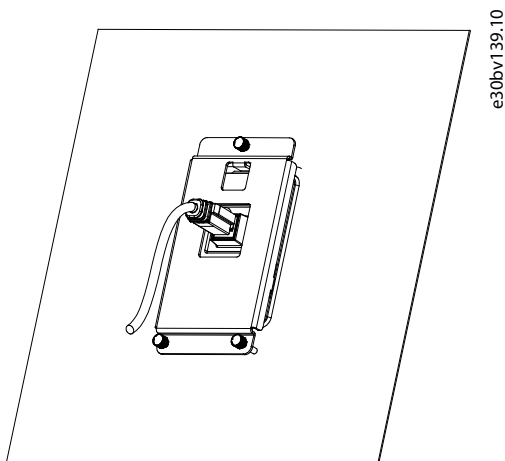


Illustration 7: Connecting Cable to Control Panel 2.0 OP2

Available cables from Danfoss:

- Control panel cable 1.5 m OA2 (code number: 132G0237)
- Control panel cable 3 m OA2 (code number: 132G0238)

8. Remove the sliding door on the terminal cover of the drive as described in the drive's design guide, and connect the other end of the cable to the drive as shown in [Illustration 8](#).

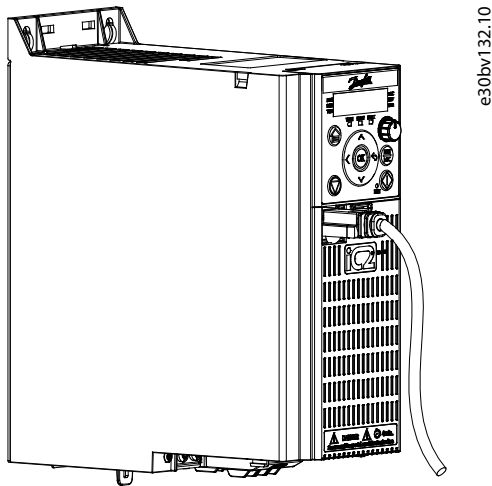


Illustration 8: Connecting Cable to the Drive

Danfoss A/S
 Ulsnaes 1
 DK-6300 Graasten
drives.danfoss.com

Danfoss can accept no responsibility for possible errors in catalogs, brochures, and other printed material. Danfoss reserves the right to alter its products without notice. This also applies to products already on order provided that such alterations can be made without subsequential changes being necessary in specifications already agreed. All trademarks in this material are property of the respective companies. Danfoss and the Danfoss logotype are trademarks of Danfoss A/S. All rights reserved.

