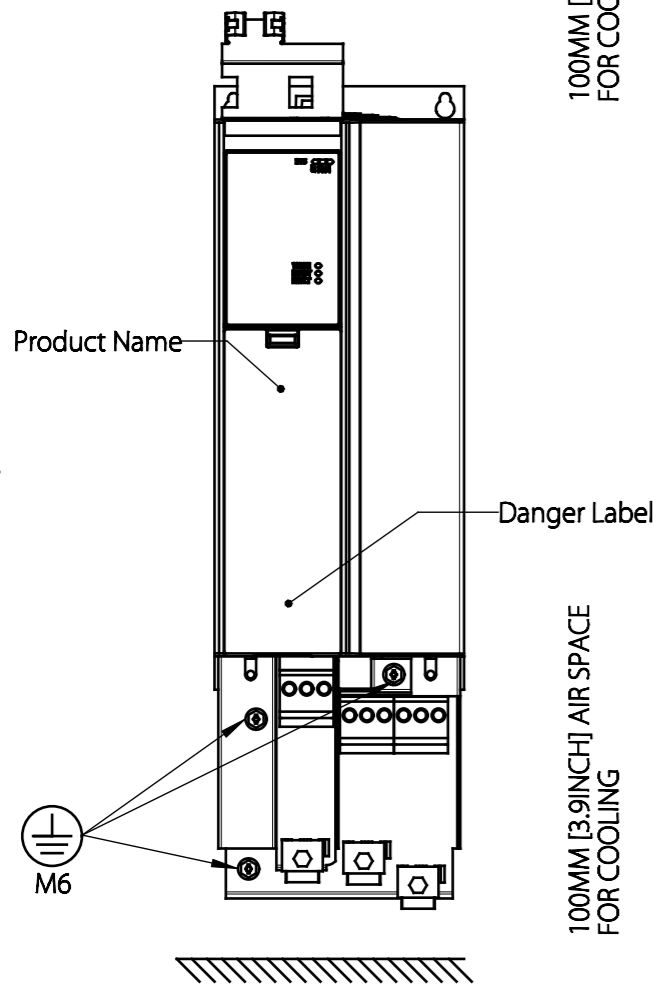
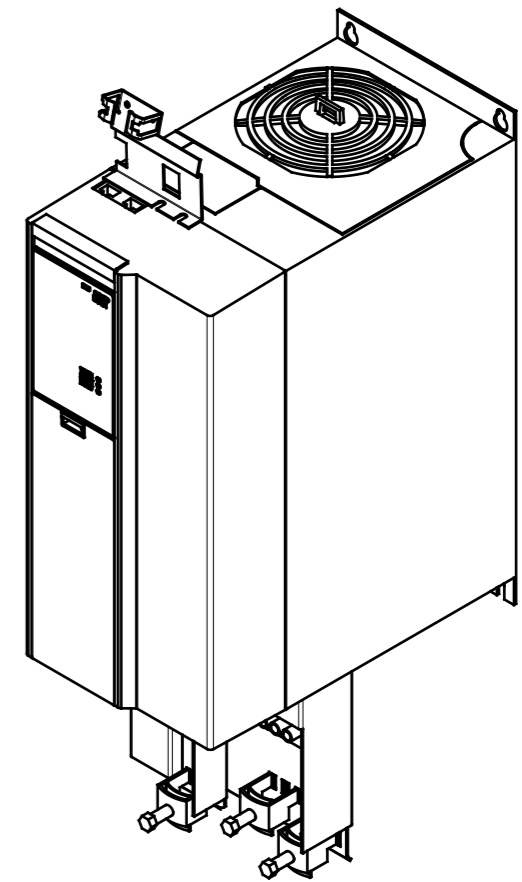
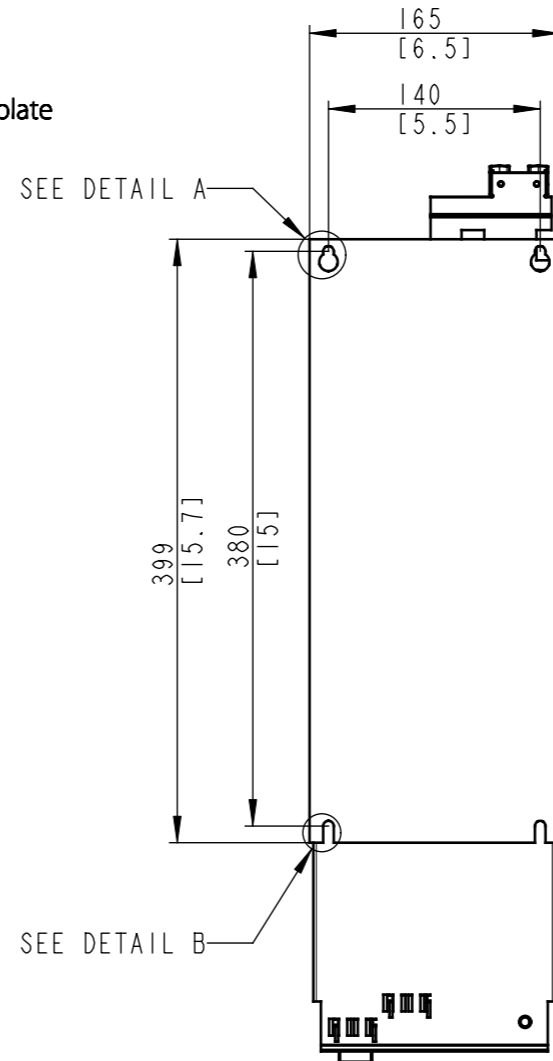
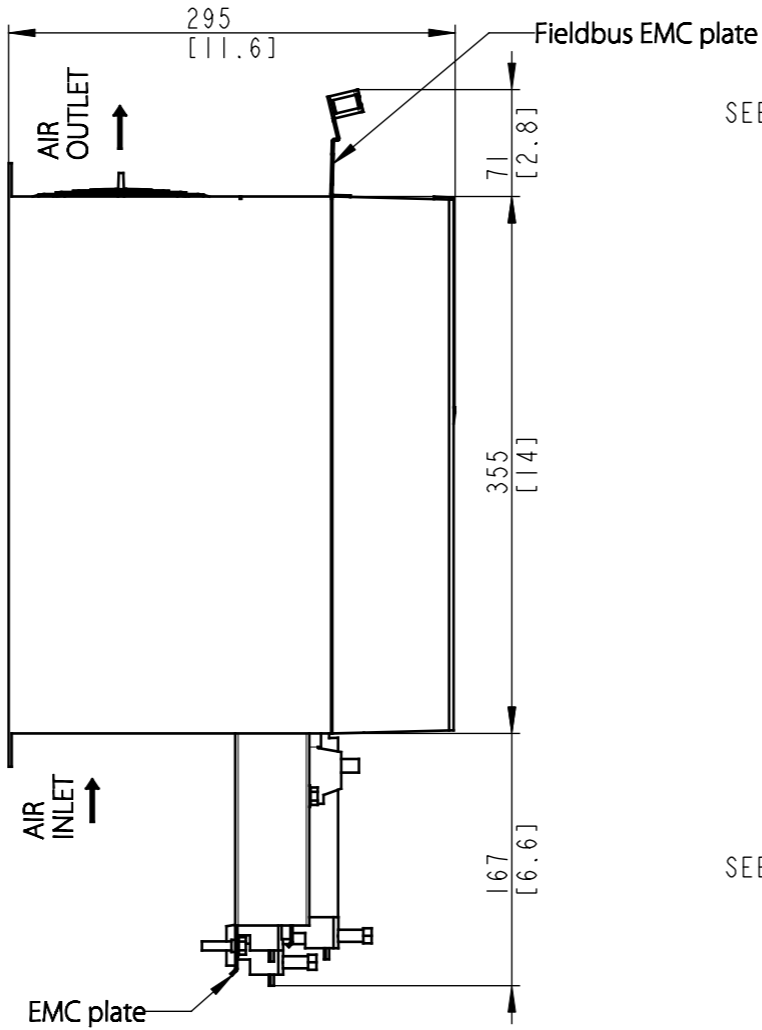
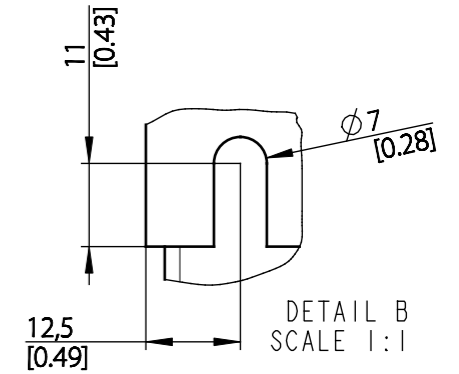
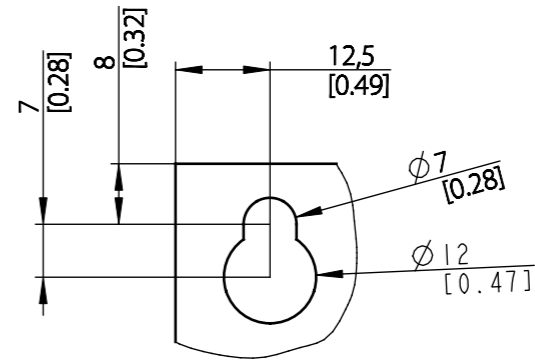
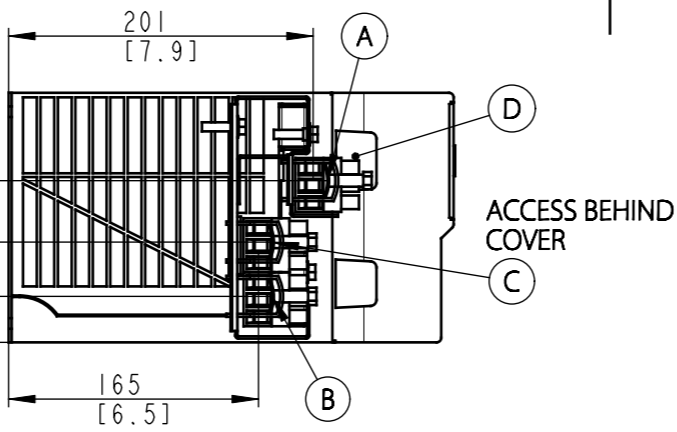


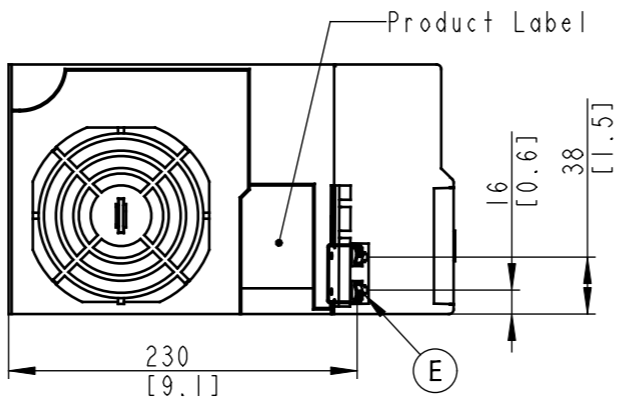
Type	Value
Max Weight	14.1 kg / 31.1 lb
IP Class	IP20
UL Type	Open



100MM [3.9INCH] AIR SPACE FOR COOLING

100MM [3.9INCH] AIR SPACE FOR COOLING

Position of connectors	
A	Line
B	Motor
C	Brake / DC
D	Interface X0
E	Interface X1/X2



THIS DRAWING SHOWS THE MOST COMMON VERSION OF THIS PRODUCT VARIANT. SMALL DIFFERENCES MAY OCCUR DEPENDING ON THE FINAL PRODUCT CONFIGURATION.

CENTER OF GRAVITY: FOR REFERENCE ONLY, THE PRODUCT CONFIGURATION MAY INFLUENCE THE CG IN ALL THREE AXES.

UNLESS OTHERWISE SPECIFIED THE TOLERANCE IS $\pm 1$ MM [0.4 INCH]. ALL DIMENSIONS ARE IN MILLIMETERS [INCH]		FIRST ANGLE PROJECTION	SCALE	DRAWING SIZE	MATERIAL
			1:5	A3	
		FINISH			
		DESCRIPTION			
		MCAD_FA05b_IP20			
CHANGED		DRAWING NUMBER			
DESIGNED	Danfoss	MCAD_FA05B_IP20			
CHECKED		REV			
		001			
		MODEL			
		MCAD_FA05B_IP20			
		SHEET			
		1 OF 1			
PROPERTY OF DANFOSS A/S NORDBOG, DENMARK. TWO OR THREE DIMENSIONAL REPRODUCTION OF CONTENTS TO BE AUTHORIZED BY DANFOSS A/S.					

