

Type	Value
Max Weight	11.2 kg / 24.6 lb
IP Class	IP20
UL Type	Open

A

B

C

D

E

F

A

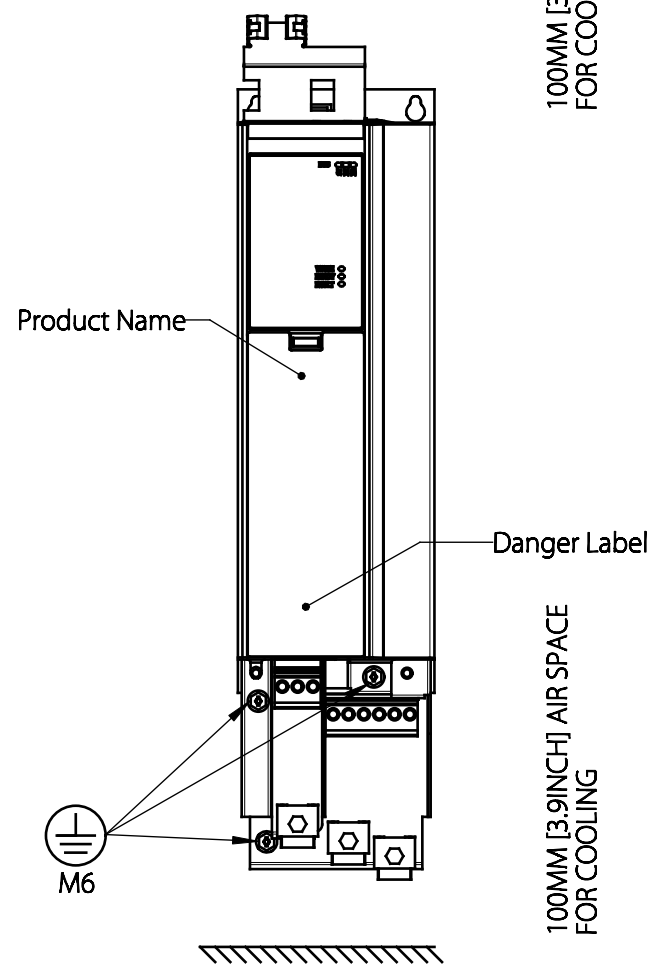
B

C

D

E

F



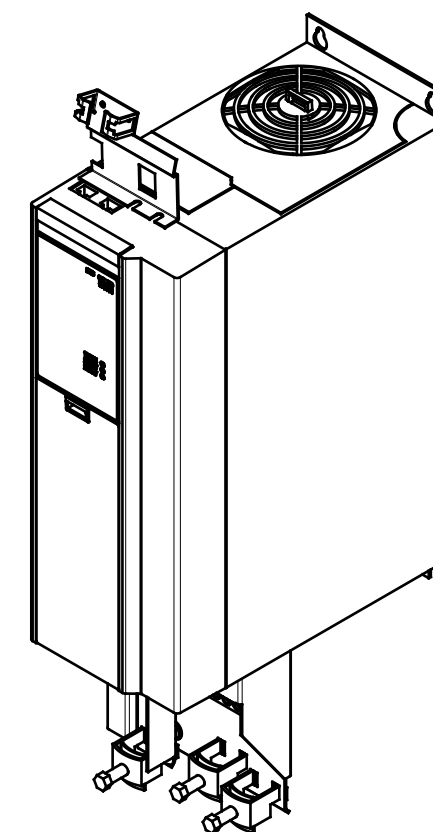
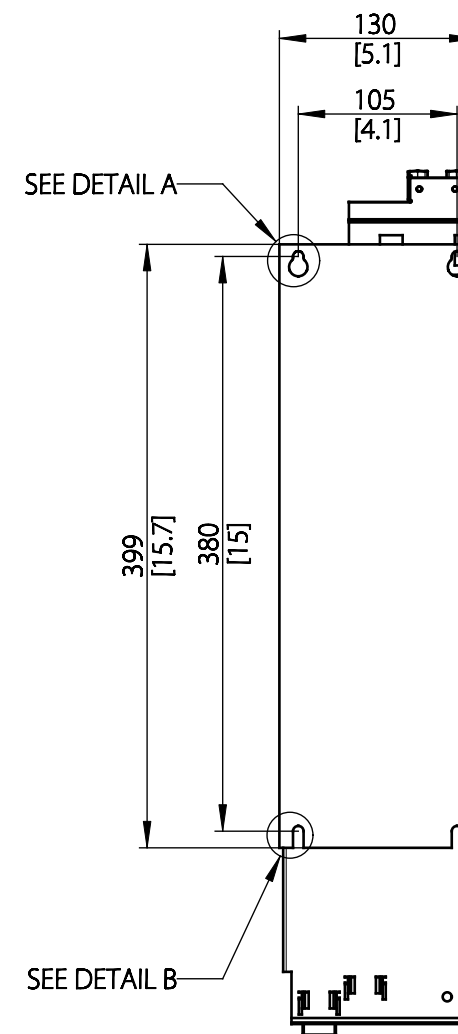
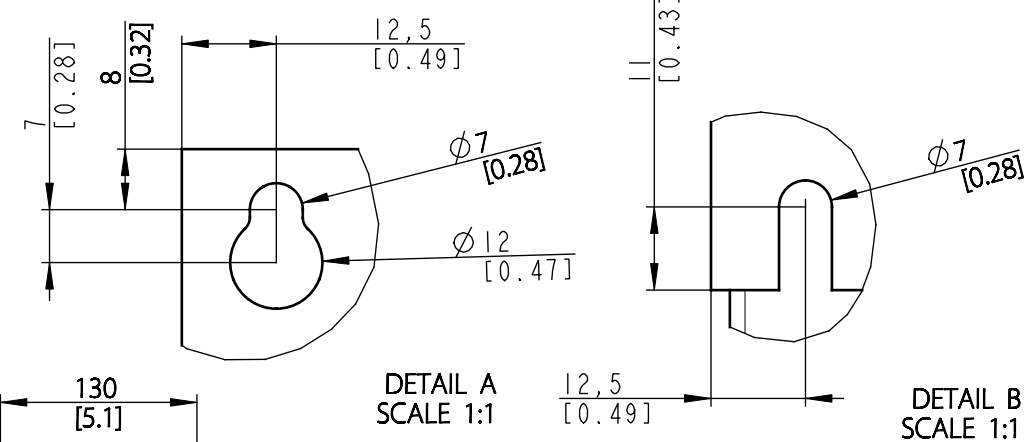
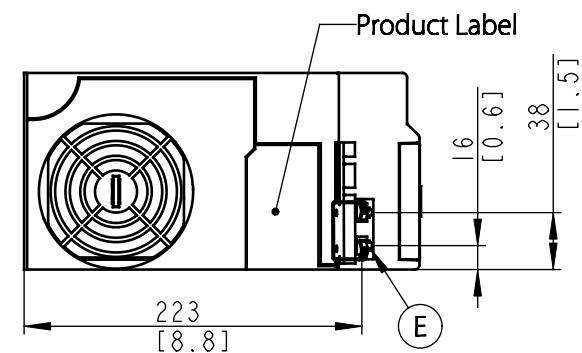
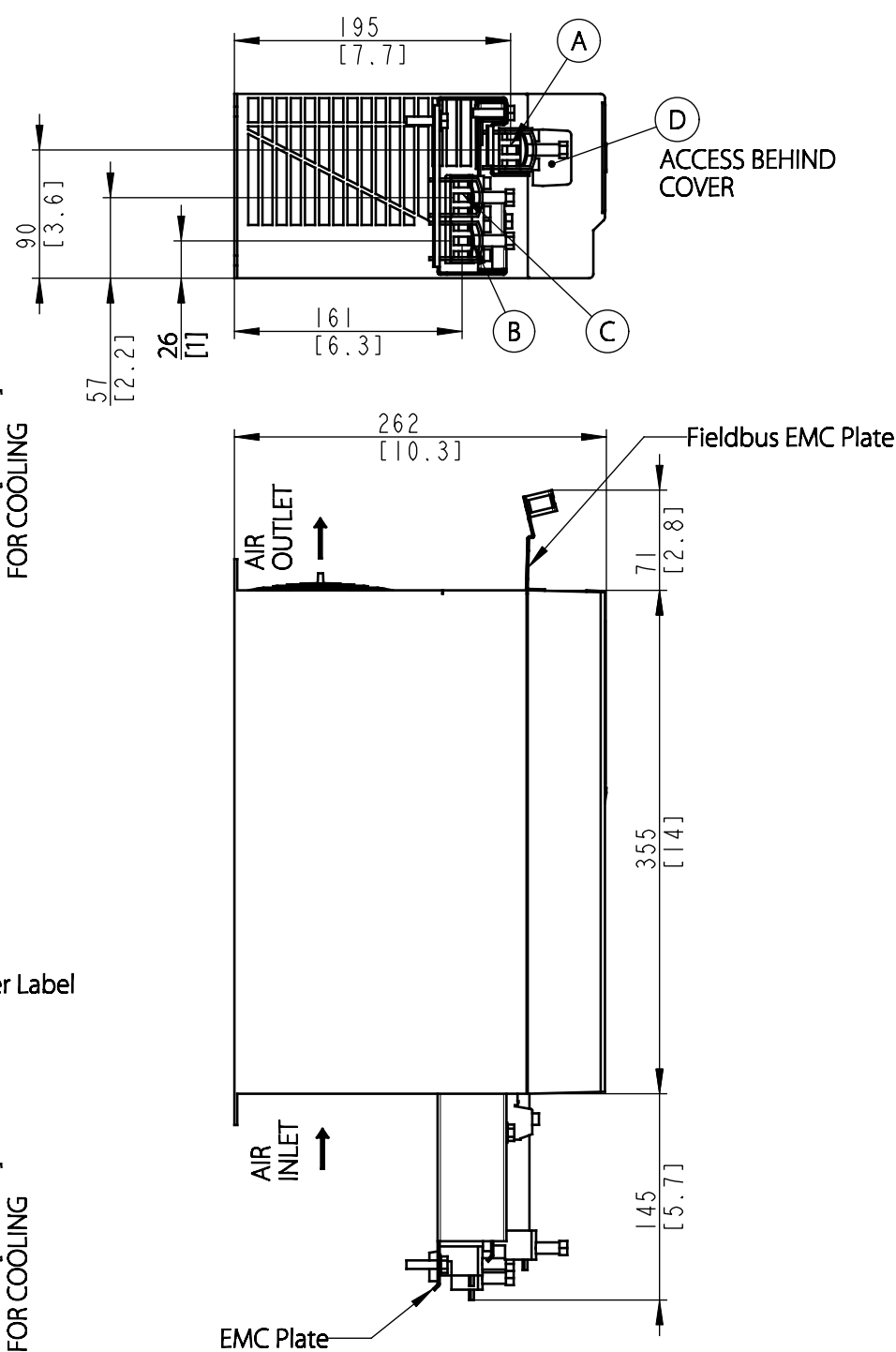
Position of connectors	
A	Line
B	Motor
C	Brake / DC
D	Interface X0
E	Interface X1/X2

THIS DRAWING SHOWS THE MOST COMMON VERSION OF THIS PRODUCT VARIANT.  
SMALL DIFFERENCES MAY OCCUR DEPENDING ON THE FINAL PRODUCT CONFIGURATION.

CENTER OF GRAVITY:  
FOR REFERENCE ONLY, THE PRODUCT CONFIGURATION MAY INFLUENCE THE CG IN ALL THREE AXES.

100MM [3.9INCH] AIR SPACE FOR COOLING

100MM [3.9INCH] AIR SPACE FOR COOLING



UNLESS OTHERWISE SPECIFIED THE TOLERANCE IS $\pm 1$ MM [0.4 INCH]. ALL DIMENSIONS ARE IN MILLIMETERS [INCH]		FIRST ANGLE PROJECTION	SCALE	DRAWING SIZE	MATERIAL
			1:5	A3	
		FINISH			
		DESCRIPTION			
		MCAD_FA04a_IP20			
CHANGED					
DESIGNED	Danfoss	2020-09-11			
CHECKED					
PROPERTY OF DANFOSS A/S NORDBORG, DENMARK. TWO OR THREE DIMENSIONAL REPRODUCTION OF CONTENTS TO BE AUTHORIZED BY DANFOSS A/S.		DRAWING NUMBER		REV	
		MCAD_FA04A_IP20		001	
		MODEL		SHEET	
		MCAD_FA04A_IP20		1 OF 1	

1 2 3 4 5 6 7 8