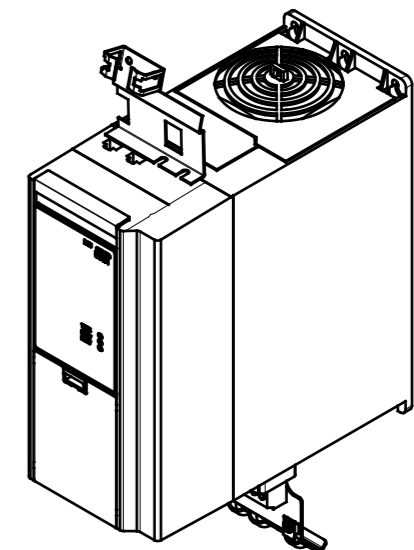
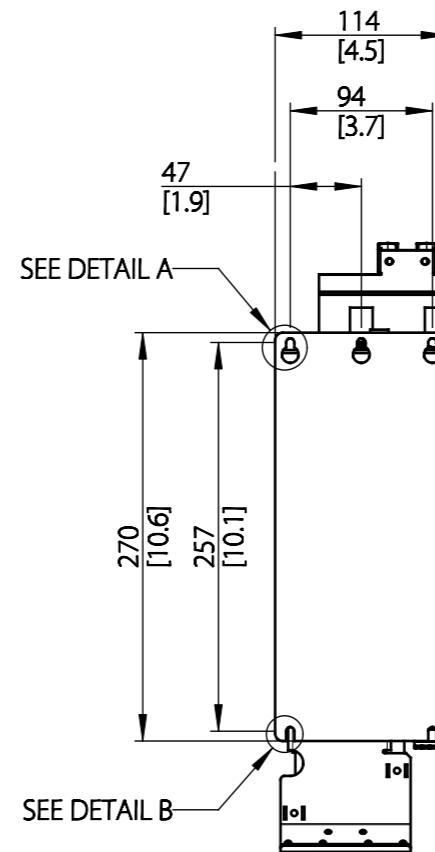
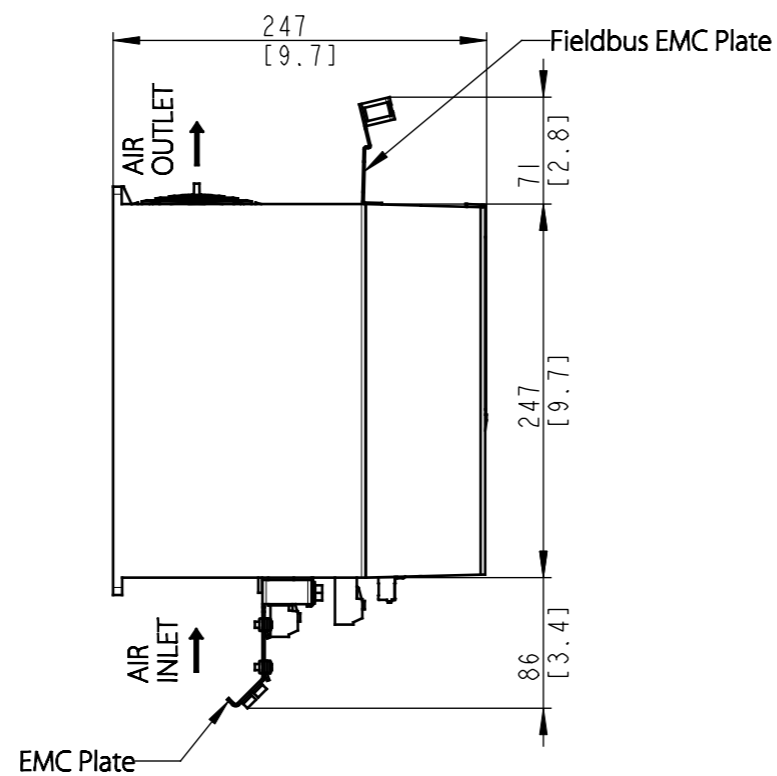
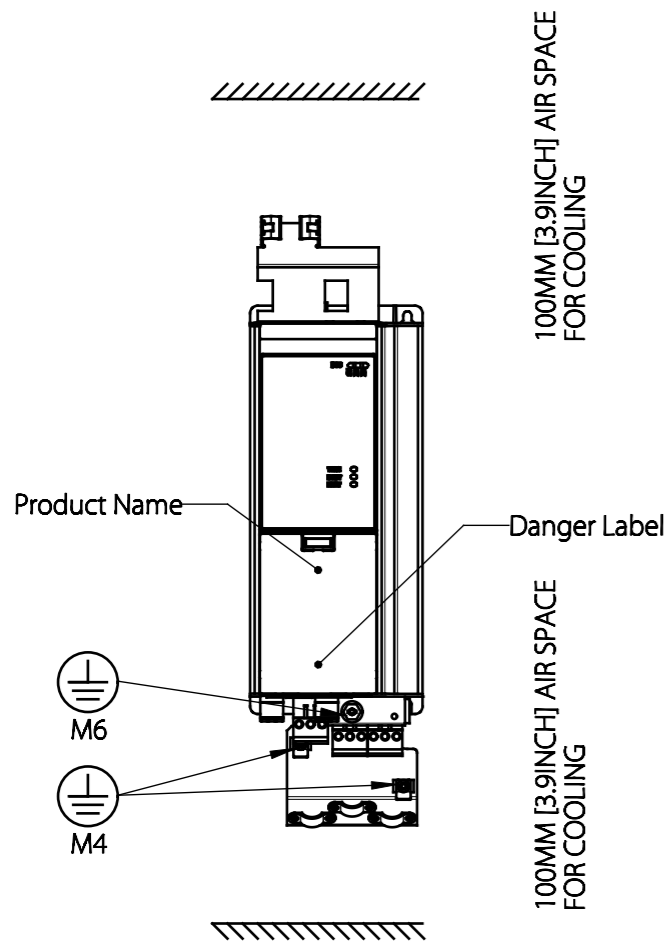
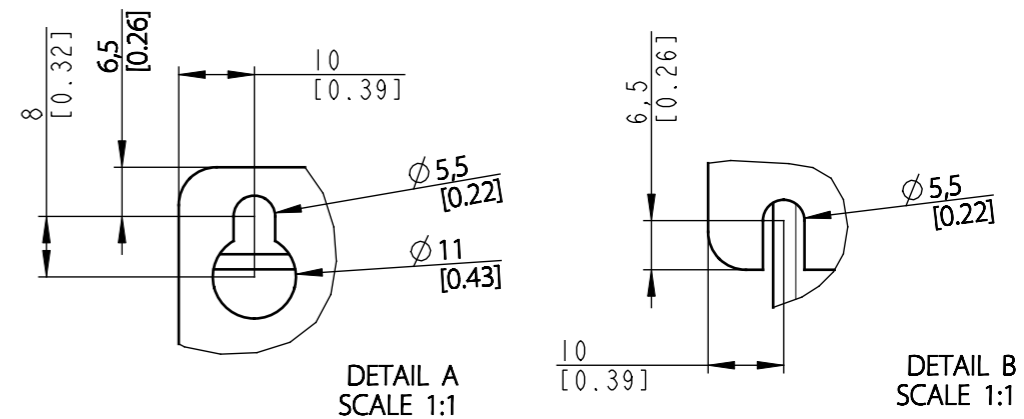
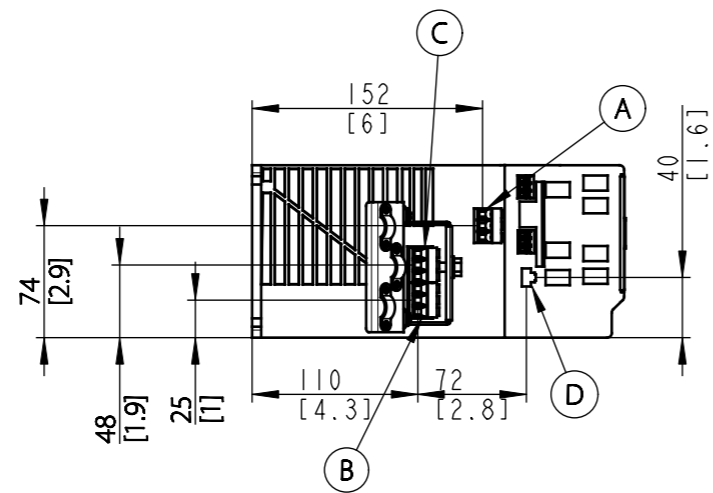
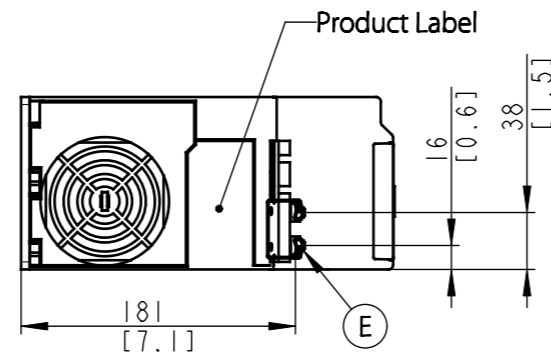


Type	Value
Max Weight	5.7 kg / 12.6 lb
IP Class	IP20
UL Type	Open



Position of connectors	
A	Line
B	Motor
C	Brake / DC
D	Interface X0
E	Interface X1/X2



THIS DRAWING SHOWS THE MOST COMMON VERSION OF THIS PRODUCT VARIANT. SMALL DIFFERENCES MAY OCCUR DEPENDING ON THE FINAL PRODUCT CONFIGURATION.

CENTER OF GRAVITY: FOR REFERENCE ONLY, THE PRODUCT CONFIGURATION MAY INFLUENCE THE CG IN ALL THREE AXES.

UNLESS OTHERWISE SPECIFIED THE TOLERANCE IS ± 1 MM [0.4 INCH]. ALL DIMENSIONS ARE IN MILLIMETERS [INCH]		FIRST ANGLE PROJECTION	SCALE 1:5	DRAWING SIZE A3	MATERIAL
CHANGED			DESCRIPTION		
DESIGNED	Danfoss		2020-09-11	MCAD_FA03b_IP20	
CHECKED					
PROPERTY OF DANFOSS A/S NORDBORG, DENMARK. TWO OR THREE DIMENSIONAL REPRODUCTION OF CONTENTS TO BE AUTHORIZED BY DANFOSS A/S.					DRAWING NUMBER: MCAD_FA03B_IP20 MODEL: MCAD_FA03B_IP20 REV: 001 SHEET: 1 OF 1