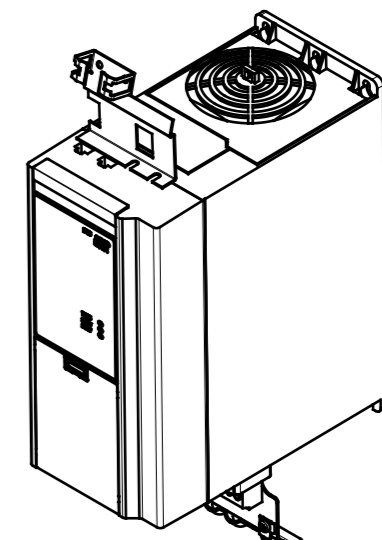
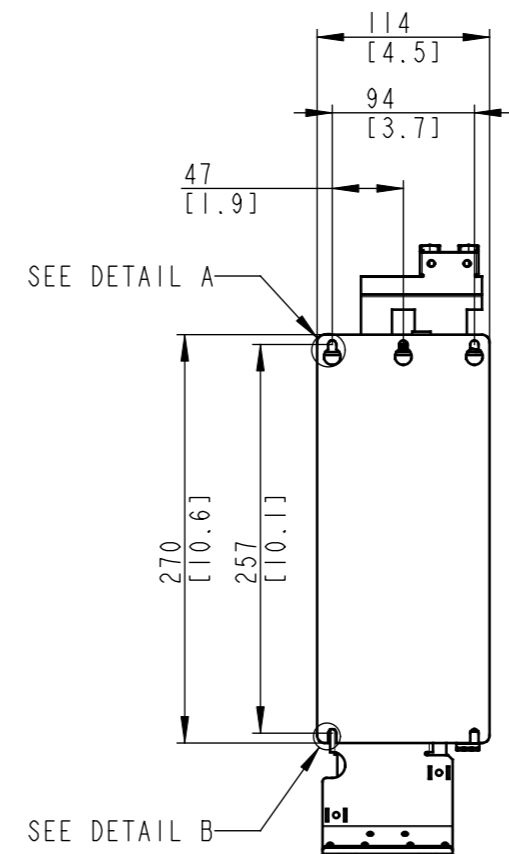
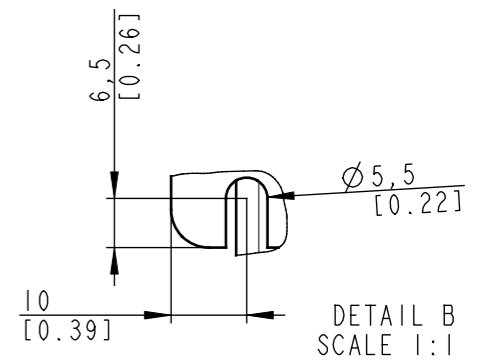
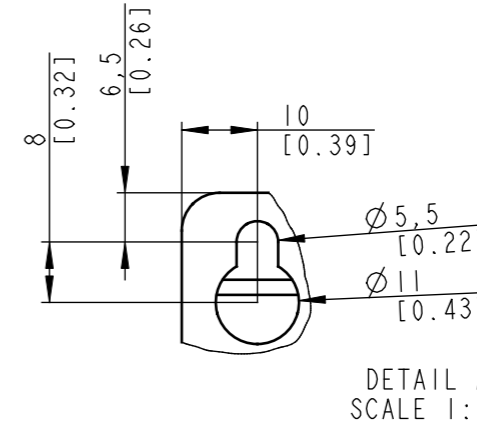
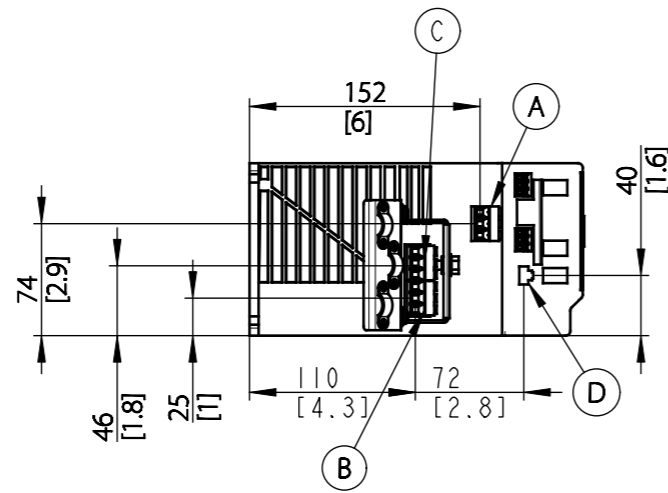
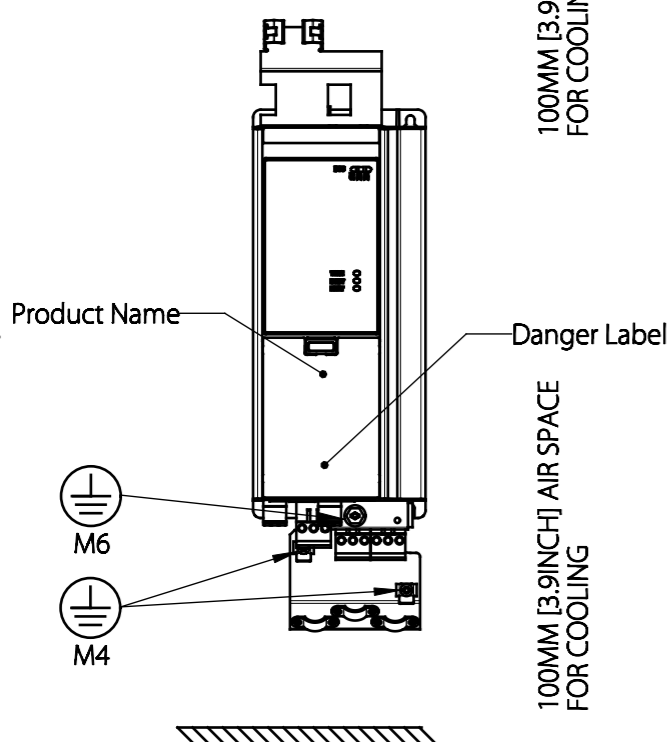
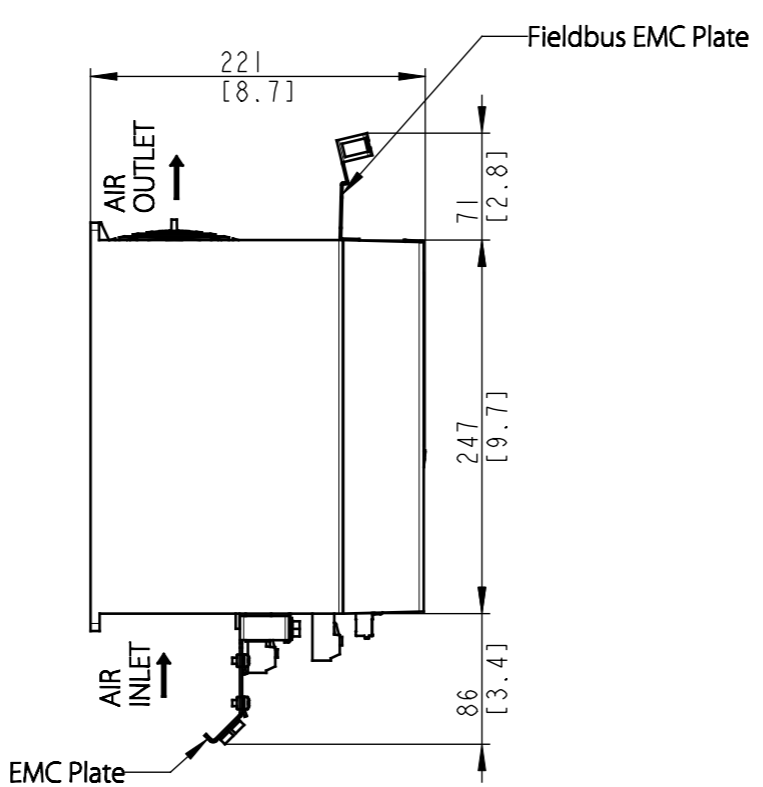


Type	Value
Max Weight	5.4 kg / 11.9 lb
IP Class	IP20
UL Type	Open

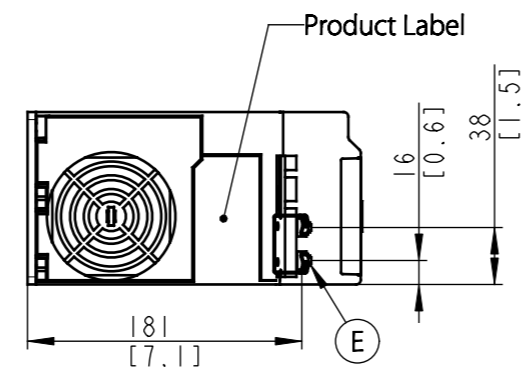


100MM [3.9INCH] AIR SPACE FOR COOLING

100MM [3.9INCH] AIR SPACE FOR COOLING



Position of connectors	
A	Line
B	Motor
C	Brake / DC
D	Interface X0
E	Interface X1/X2



THIS DRAWING SHOWS THE MOST COMMON VERSION OF THIS PRODUCT VARIANT. SMALL DIFFERENCES MAY OCCUR DEPENDING ON THE FINAL PRODUCT CONFIGURATION.

CENTER OF GRAVITY: FOR REFERENCE ONLY, THE PRODUCT CONFIGURATION MAY INFLUENCE THE CG IN ALL THREE AXES.

UNLESS OTHERWISE SPECIFIED THE TOLERANCE IS $\pm 1\text{MM}$ [0.4 INCH]. ALL DIMENSIONS ARE IN MILLIMETERS [INCH]		FIRST ANGLE PROJECTION	SCALE 1:5	DRAWING SIZE A3	MATERIAL
					FINISH
					DESCRIPTION
					MCAD_FA03a_IP20
CHANGED					DRAWING NUMBER
DESIGNED	Danfoss				MCAD_FA03a_IP20
CHECKED					REV 001
PROPERTY OF DANFOSS A/S NORDBOG, DENMARK. TWO OR THREE DIMENSIONAL REPRODUCTION OF CONTENTS TO BE AUTHORIZED BY DANFOSS A/S.					MODEL
					MCAD_FA03a_IP20
					SHEET 1 OF 1