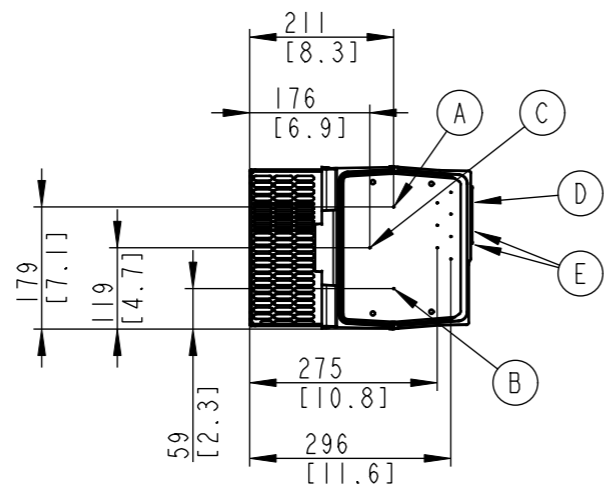
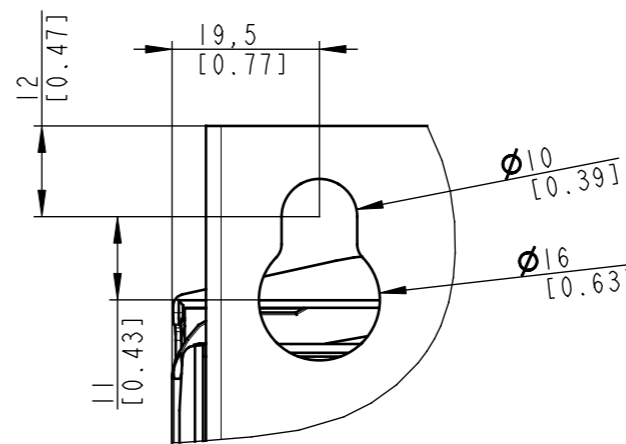


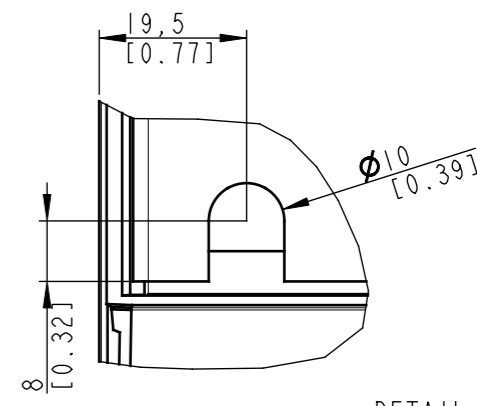
Type	Value
Max Weight	38kg / 84lb
IP Class	IP21
UL Type	Type I



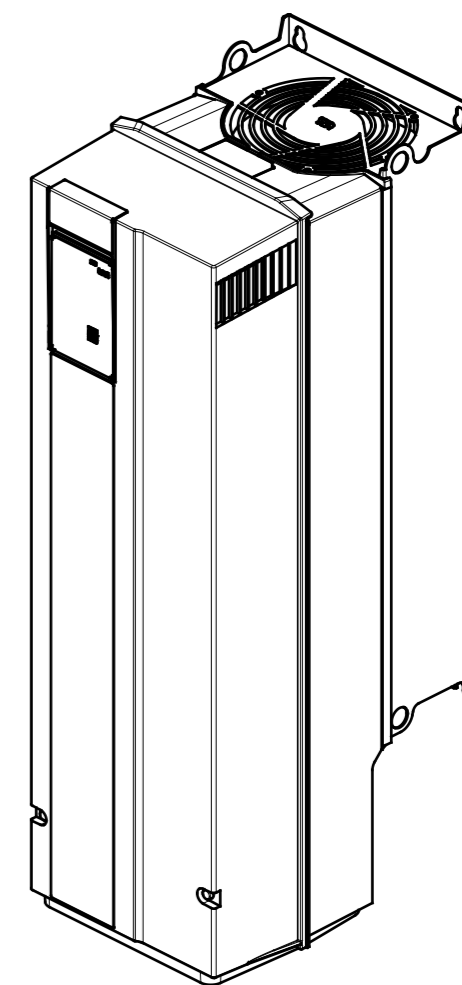
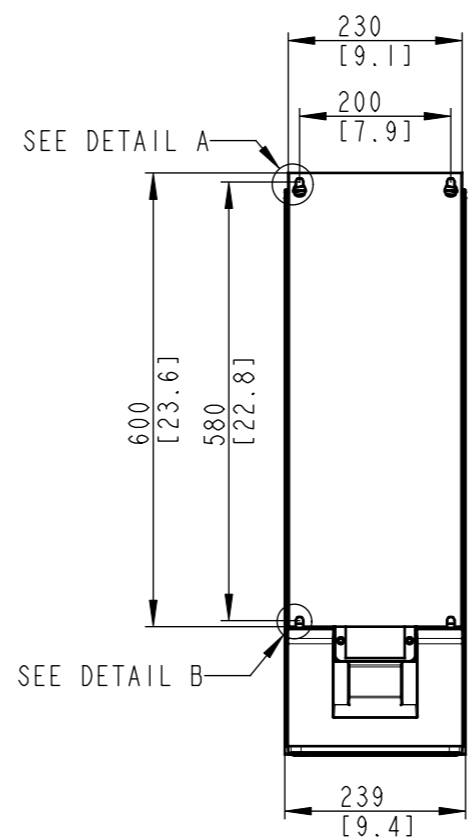
SEE PAGE 2 FOR DETAILS



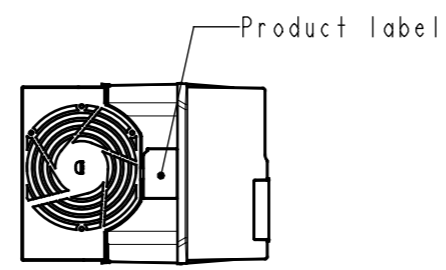
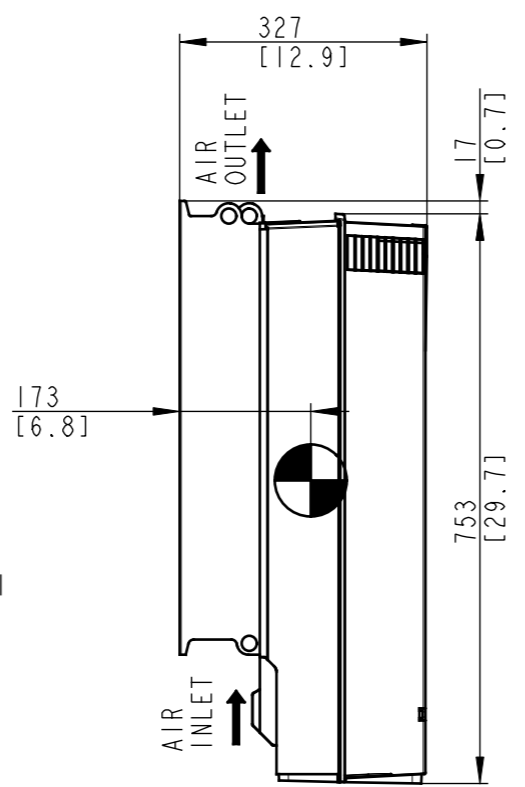
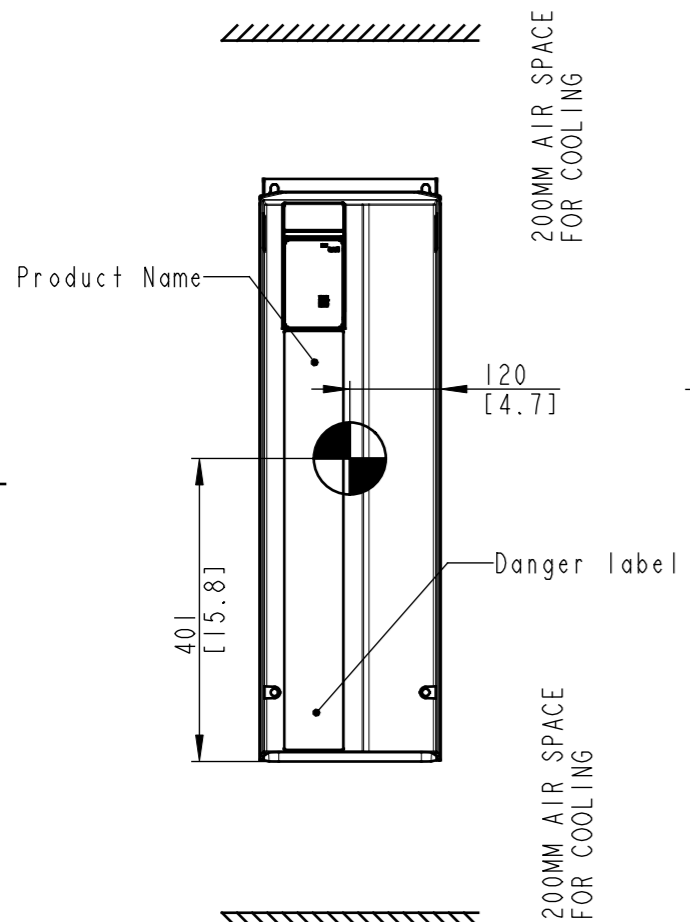
DETAIL A
1:1



DETAIL B
1:1



3:20



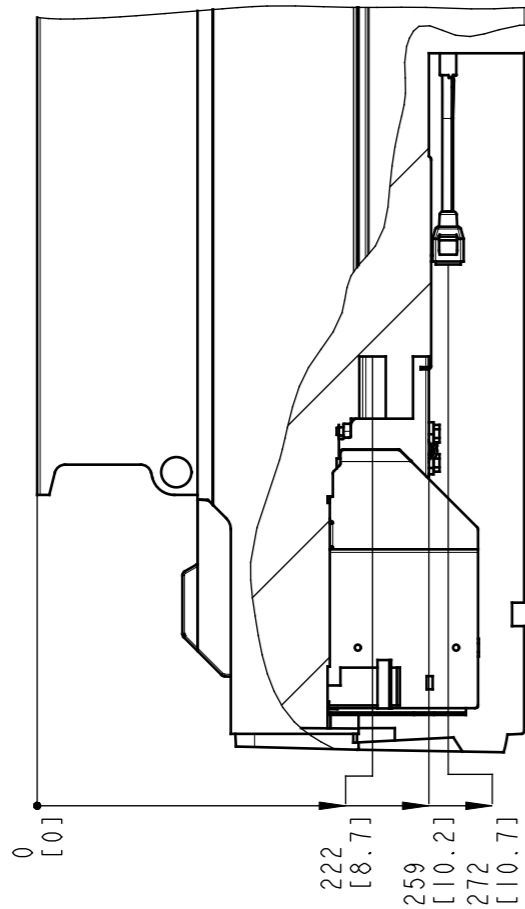
Position of connectors	
A	Line
B	Motor
C	Brake / DC
D	Interface X0
E	Interface X1/X2

THIS DRAWING SHOWS THE MOST COMMON VERSION OF THIS PRODUCT VARIANT. SMALL DIFFERENCES MAY OCCUR DEPENDING ON THE FINAL PRODUCT CONFIGURATION.

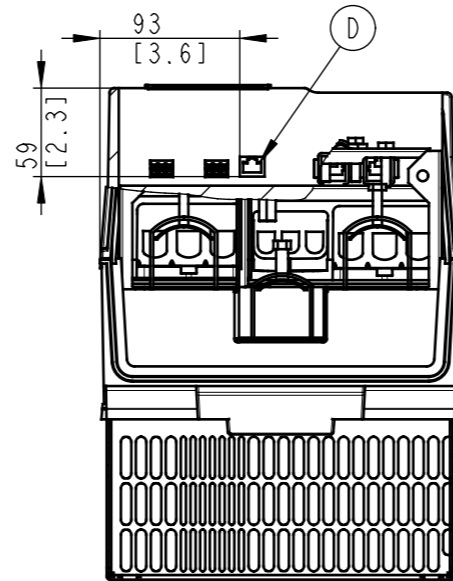
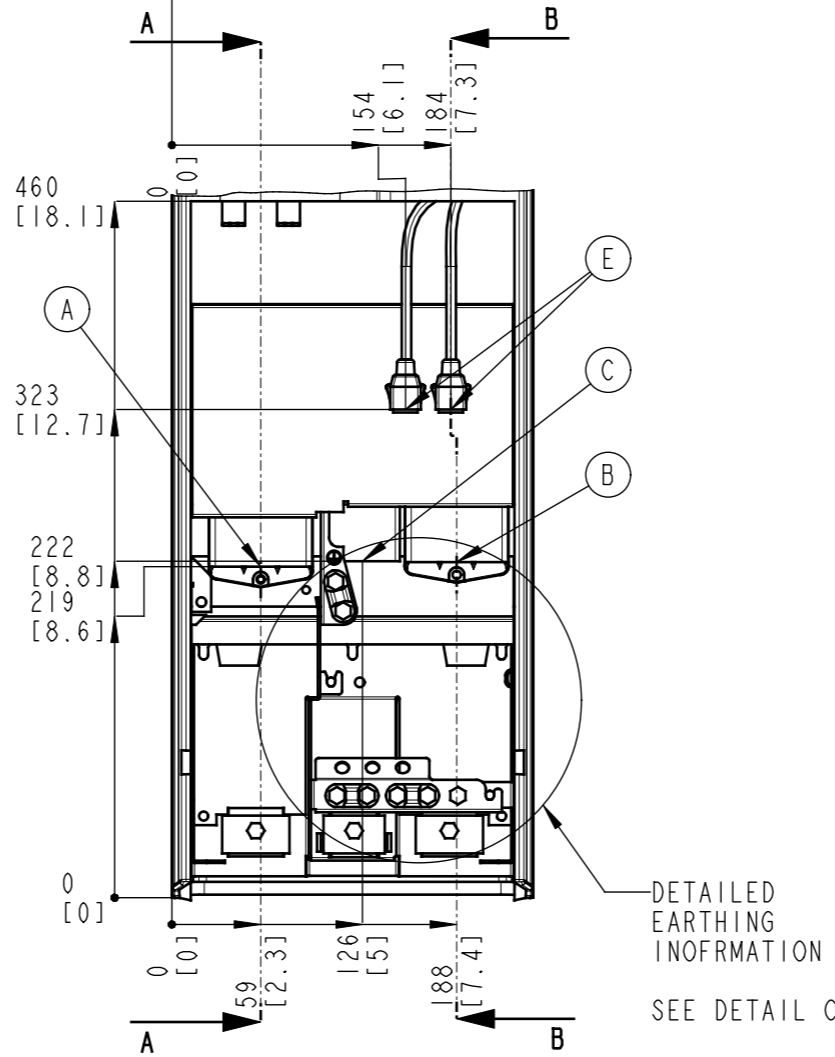
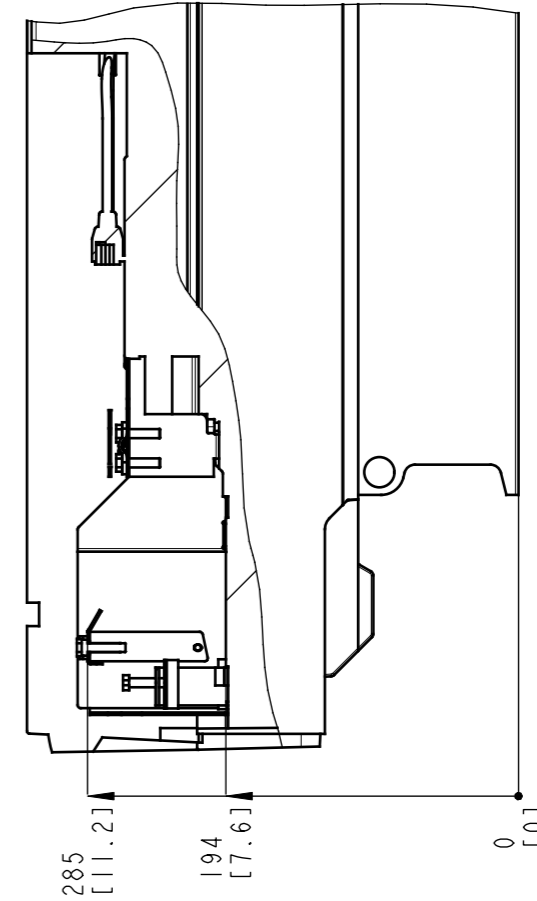
CENTER OF GRAVITY: FOR REFERENCE ONLY, THE PRODUCT CONFIGURATION MAY INFLUENCE THE CG IN ALL THREE AXES.

UNLESS OTHERWISE SPECIFIED THE TOLERANCE IS ± 0.1 MM [0.4 INCH]. ALL DIMENSIONS ARE IN MILLIMETERS [INCH]			FIRST ANGLE PROJECTION	SCALE 1:10	DRAWING SIZE A3	MATERIAL	
						FINISH	
						DESCRIPTION	
CHANGED						MCAD_FK07_IP21	
DESIGNED	Danfoss	2020-10-06					
CHECKED			PROPERTY OF DANFOSS A/S NORDBOG, DENMARK. TWO OR THREE DIMENSIONAL REPRODUCTION OF CONTENTS TO BE AUTHORIZED BY DANFOSS A/S.			DRAWING NUMBER MCAD_FK07_IP21 MODEL MCAD_FK07_IP21 REV SHEET 1 OF 2	

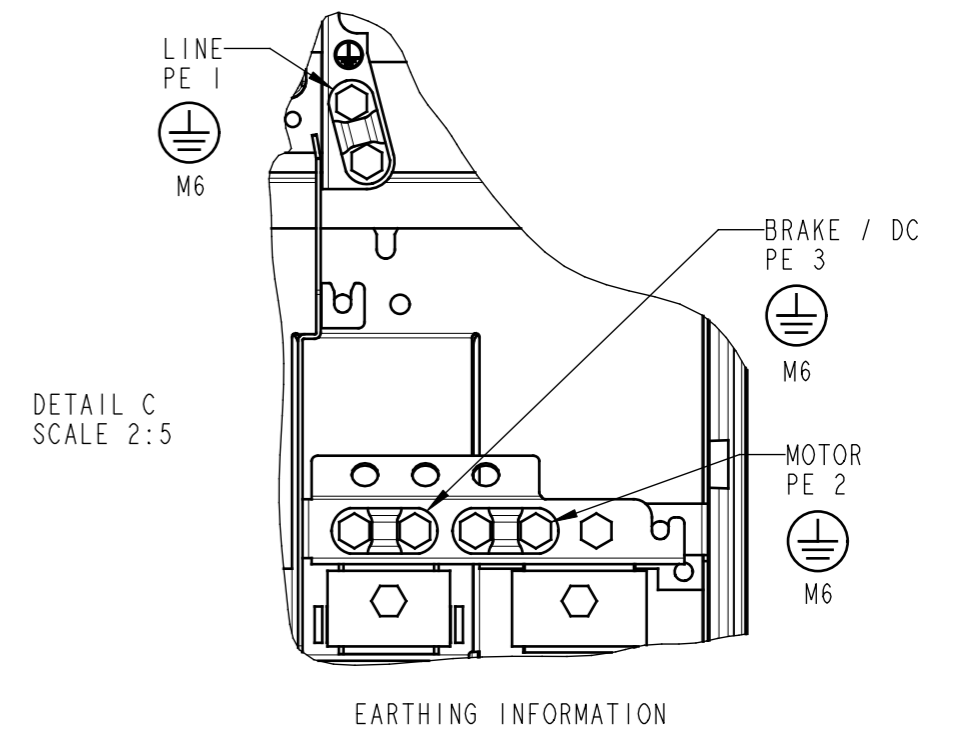
SECTION A-A
LINE TERMINALS



SECTION B-B
MOTOR TERMINALS



BOTTOM VIEW



EARTHING INFORMATION

Position of connectors	
A	Line
B	Motor
C	Brake / DC
D	Interface X0
E	Interface X1/X2

THIS DRAWING SHOWS THE MOST COMMON VERSION OF THIS PRODUCT VARIANT.
SMALL DIFFERENCES MAY OCCUR DEPENDING ON THE FINAL PRODUCT CONFIGURATION.

PROPERTY OF DANFOSS A/S NORDBOG, DENMARK. TWO OR THREE DIMENSIONAL REPRODUCTION OF
CONTENTS TO BE AUTHORIZED BY DANFOSS A/S.

DRAWING NUMBER	REV
MCAD_FK07_IP21	
MODEL	SHEET
MCAD_FK07_IP21	2 OF 2