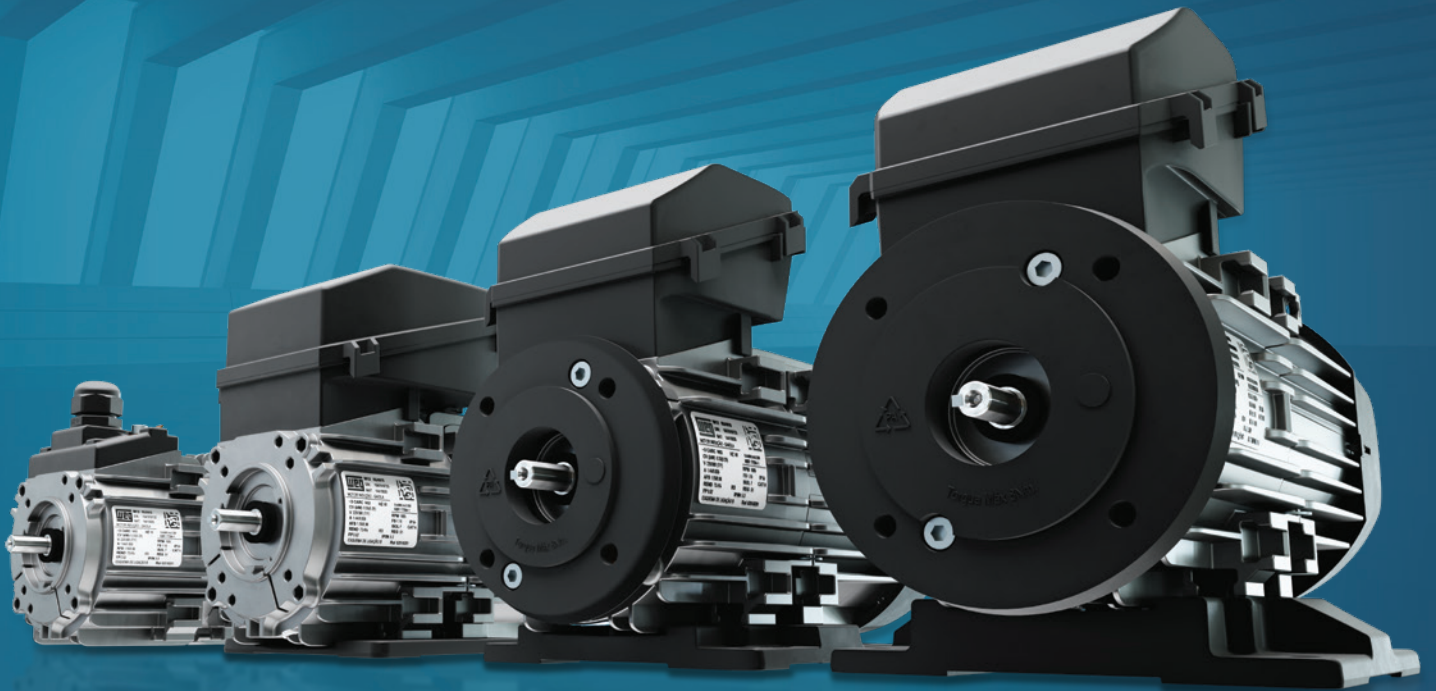




# B&P Elektromotoren

## W12

Three-phase and Single-phase  
Aluminium Motors



Motors | Automation | Energy | Transmission & Distribution | Coatings



**NEW**  
**W12**

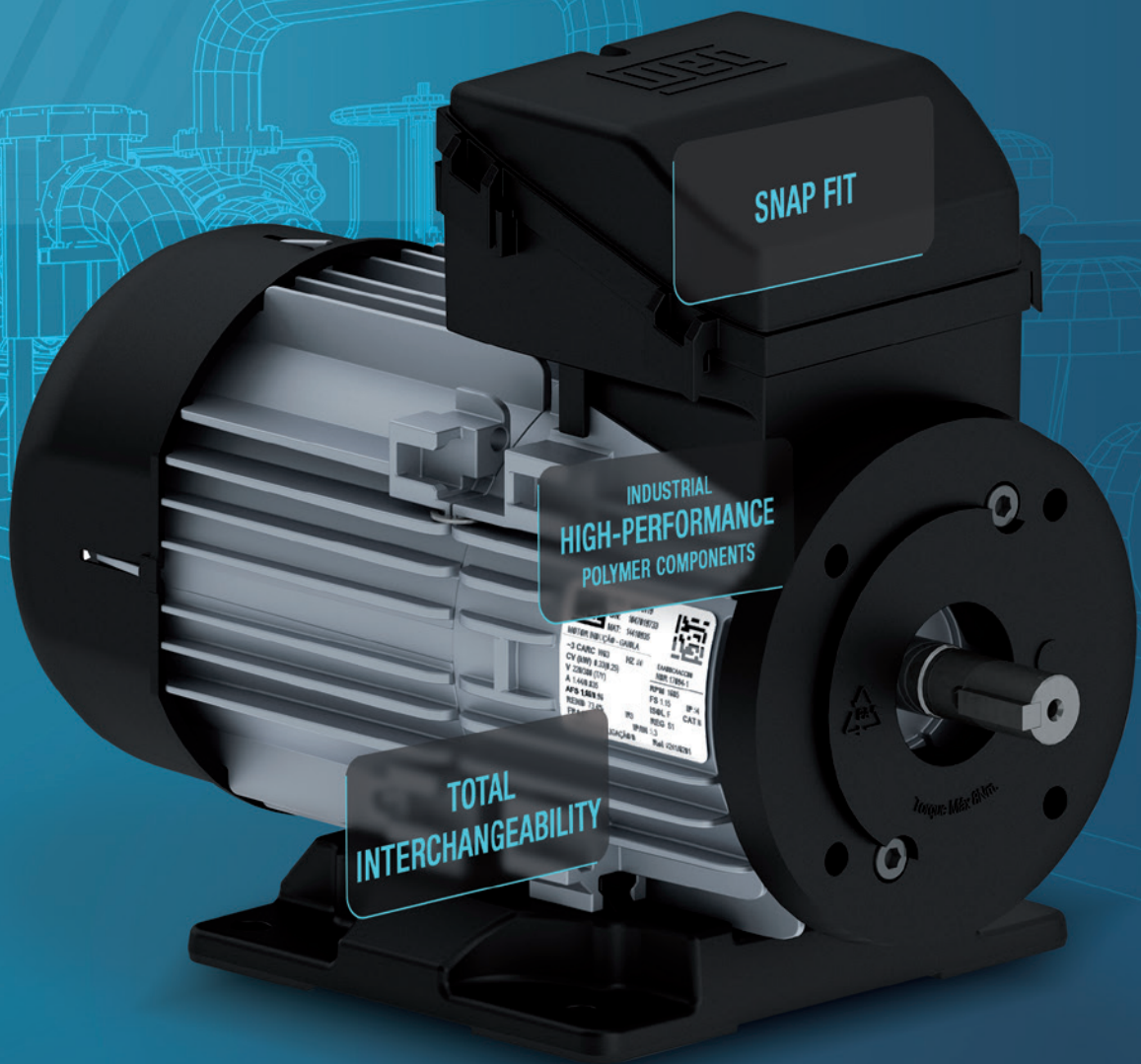
THE MOTOR  
DESIGNED FOR  
**YOUR BUSINESS**

**The new W12 Electric Motors Line was developed to offer versatility and efficiency.**

With flanges, feet, terminal boxes and terminal box covers made in industrial high-performance polymer and die cast aluminum frame, the motors have lower weight for robust applications, which brings even more possibilities.

All that with the warranty, technology and reliability of WEG brand.

**COMPETITIVENESS**  
**VERSATILITY**  
**WEG TECHNOLOGY**  
**EFFICIENCY**



# DESIGN DETAILS

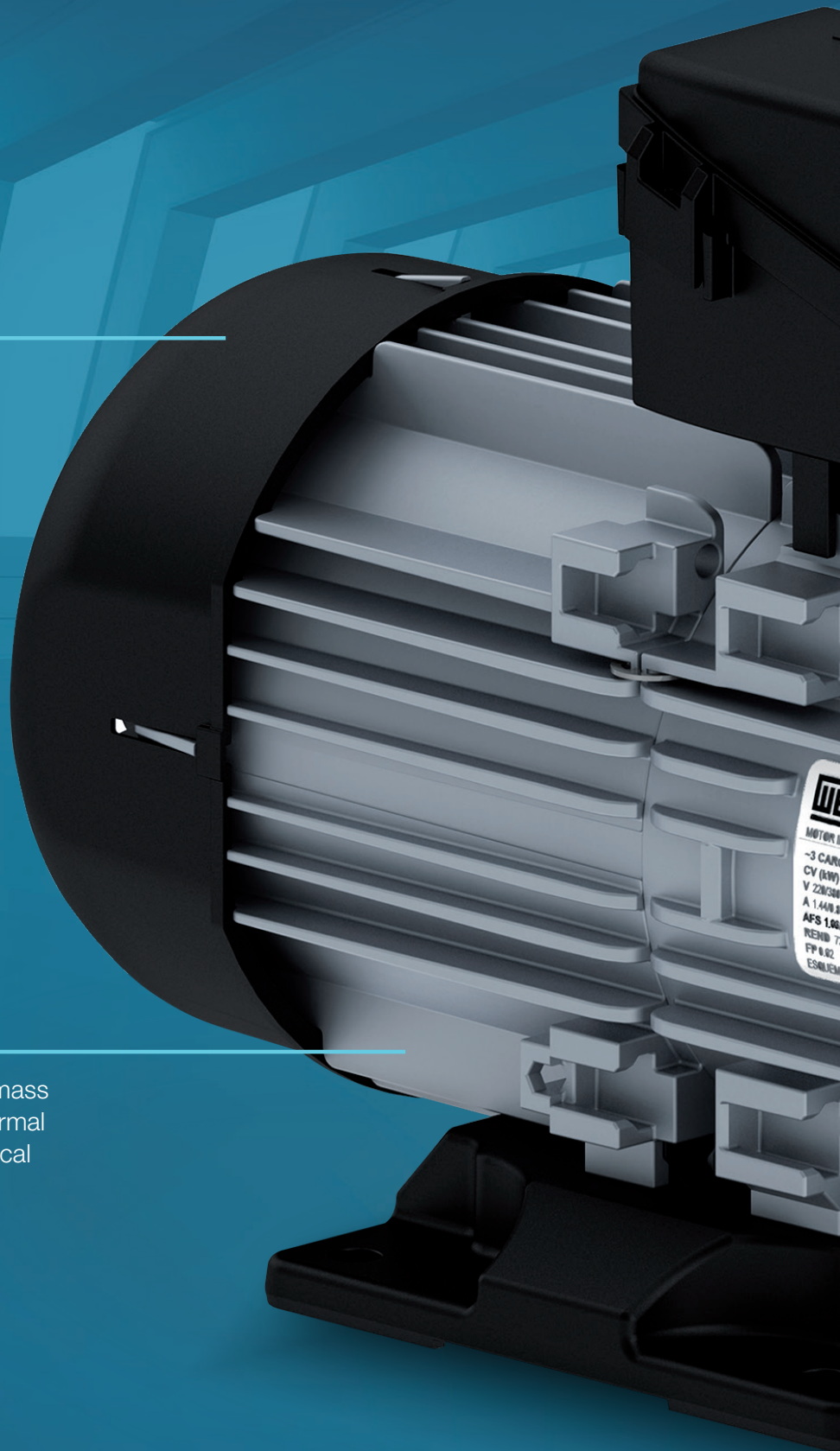
## Motors with and without ventilation

The W12 motors have the cooling system with an external fan (TEFC) as a standard feature, where the fan cover ensures increased ventilation efficiency, keeping the motor cooled with less effort.

As an option, when installed in an air flow suitable for their operation, W12 motors can operate without a fan (TEAO).

## Aluminum frame

In addition to providing mass reduction, it ensures thermal dissipation and mechanical rigidity for applications.





## Versatility

The W12 motors have a snap fit quick coupling for fixing the terminal box cover, fan cover and feet. For the W63 and W71 frame motors, the feet can be mounted in the 90 °, 180 ° and 270 ° positions from the terminal box, allowing a configuration to suit any application

## Interchangeability

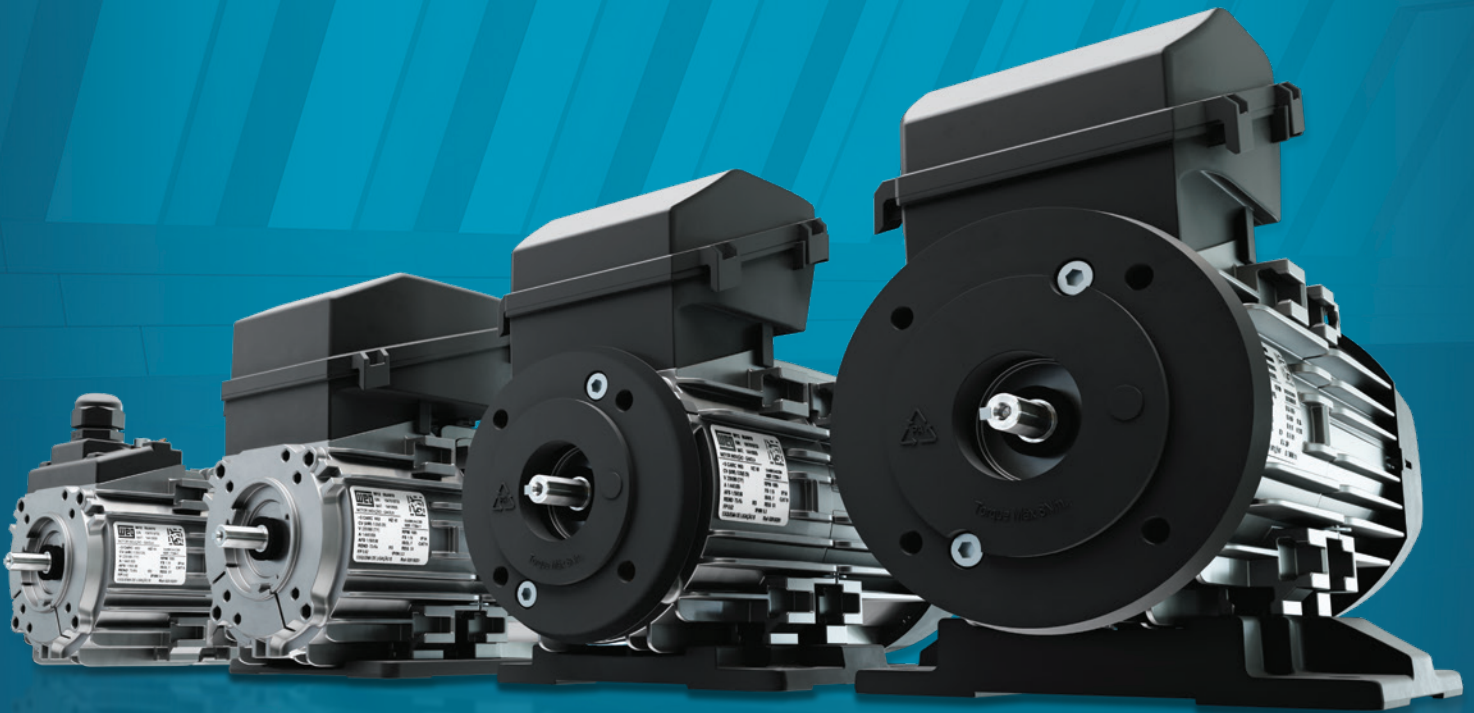
Interchangeable feet and flanges with the frames IEC56, 63 and 71.

W12 05JAN19  
S/N: 1047018733  
MAT: 14418835  
INDUÇÃO - GAIBLA  
C: W63 HZ: 50  
0.33(0.25) EMBRACADORA  
(7Y) NBR 17894-1  
35 RPM 1665  
0.56 FS 1.15 IP 54  
0.4% W3 ISOL F CATH  
IP10M 5.3 REG S1  
A RE LIGAÇÃO B R66 22141821

Torque Max 8Nm

**NEW**  
**W12**

THE MOTOR  
DESIGNED FOR  
**THE MOST DIVERSE  
APPLICATIONS**



## Technical data

- Output: 0,09 up to 0,55 kW
- Number of poles: 2, 4 and 6 poles
- Frame: IEC56, W63 and W71
- Voltage: 230 V or 230/460 V – Single-phase  
220-240/380-415 V – Three-phase
- Frequency: 50 and 60 Hz
- Efficiency: IE1, IE2 and IE3 (Three-phase motors)
- Mounting: B14T, B34, B5 and B35
- Aluminum frame
- Flanges: C-80 (incorporated on the frame)  
C-90, C-105 and FF-115  
(industrial high-performance polymer)
- Degree of protection: IP54 (Standard) and IP55 (optional)
- Suitable to VFD operation up to 380 V
- Flanges, feet, terminal boxes and fan cover in industrial high-performance polymer
- Identification label
- *Snap fit* system for fixing of the terminal box cover, fan cover and feet.

**Please contact WEG for other options.**

## APPLICATIONS



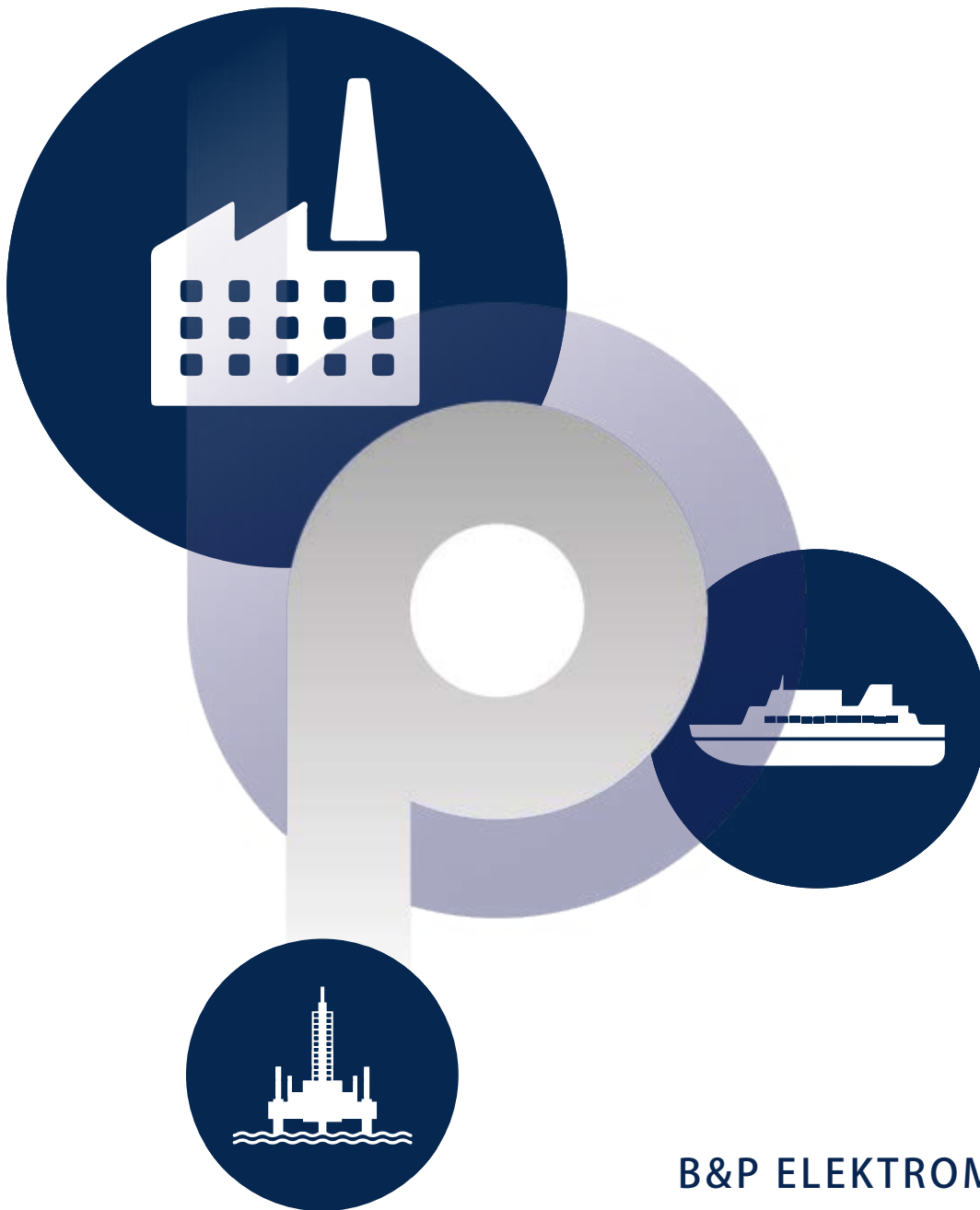
GEARBOXES



PUMPS



FANS



## B&P ELEKTROMOTOREN BV

Ampèrestraat 8F  
4004 KB Tiel

[info@bnpelektromotoren.nl](mailto:info@bnpelektromotoren.nl)

+31 (0)344 616 267

BTW nr. NL819113918B01

KvK nr. 30237800

ING Bank NL60 INGB 0675 304 792



[www.bnpelektromotoren.nl](http://www.bnpelektromotoren.nl)