

15. Construction Features

Frame		63	71	80	90	100	112	132	160	180		
Mechanical features												
Mounting		B3T										
Frame material		FC-200 cast iron										
Degree of protection		IP55										
Grounding		Simple grounding - one earth terminal inside the terminal box										
Cooling method		Totally enclosed fan cooled - IC411										
Fan material	2P	Polypropylene										
	4 - 12P											
Fan cover material		Steel						FC-200 cast iron				
Endshields material		FC-200 cast iron										
Drain hole	IP55/IP56	Automatic T labyrinth drain plug										
	IP65/IP66	Rubber drain plug										
Bearings	Drive end side	2p	6201-ZZ	6202-ZZ	6204-ZZ	6205-ZZ	6206-ZZ	6207-ZZ	6308-ZZ	6309-ZZ-C3	6311-ZZ-C3	
		4 - 12p			6203-ZZ	6204-ZZ	6205-ZZ	6206-ZZ	6207-ZZ	6209-ZZ-C3	6211-ZZ-C3	
	Non drive end side	2p			Without bearing cap and with spring washer at NDE							
		4 - 12p										
Locking												
Shaft Seal		V' Ring										
Lubrication	Type of grease - 50Hz		Mobil Polyrex EM									
	Type of grease - 60Hz - 2P											
	Type of grease - 60Hz (4P and above)		Mobil Polyrex EM									
	Grease fitting		Without grease fitting									
Terminal block		BMC terminal block										
Terminal box material		FC-200 cast iron										
Cable entries	Main	Size	2xM20x1,5		2xM25x1,5		2xM32x1,5		2xM40x1,5			
	Threaded plug		Plastic plug for transport and storage purposes									
	Accessory	Size	1xM20x1,5 lateral threaded hole when fitted with accessories									
Shaft	Material		SAE 1040/45									
	DE Threaded hole	2p	M4	M5	M6	M8	M10	M10	M12	M16		
		4 - 12p										
Direction of rotation		Bidirectional										
Vibration level		Grade A										
Nameplate material		Stainless steel AISI 304										
Painting	Type		207 A						203 A			
	Performance Criteria		Corrosive category C3 according to DIN EN ISO 12944-2									
	Colour		RAL 5009									
Electrical features												
Design	50Hz e 60Hz (IE1/IE2/IE3)		N									
	60Hz (IE4)											
	50Hz (IE4)		NE									
	50Hz (IE5)		NONE									
Voltage / Frequency		220-240/380-415//460 V (50 // 60Hz)					380-415/660//460 V (50 // 60Hz)					
Winding	Impregnation		Dip and bake									
	Insulation class		F (DT 80K)									
Service factor	50Hz (IE1, IE2, IE3, IE4, IE5)		1,00									
	60Hz (IE1, IE2)		1,15									
	60Hz (IE3)		1,25									
Rotor		Aluminium die cast										
Thermal protection		Without thermal protection						PTC Thermistor - 155°C				

Frame		200	225S/M	250S/M	280S/M	315S/M	315L	355M/L	355A/B		
Mechanical features											
Mounting		B3T									
Frame material		FC-200 cast iron									
Degree of protection		IP55									
Grounding		Simple grounding - one earth terminal inside the terminal box	Double grounding - one earth terminal inside the terminal box and another on the motor frame								
Cooling method		Totally enclosed fan cooled - IC411									
Fan material		2p	Polypropylene						Aluminium		
		4-12p	Polypropylene								
Fan cover material		FC-200 cast iron									
Endshields material		FC-200 cast iron									
Drain hole		IP55/IP56	Automatic T labyrinth drain plug								
		IP65/IP66	Rubber drain plug								
Bearings		Drive end side	2p	6312-ZZ-C3	6314-C3	6314-C3	6314-C3	6314-C3	6316-C3	6316-C3	
			4 - 12p				6316-C3	6319-C3	6319-C3	6322-C3	6322-C3
		Non drive end side	2p	6212-ZZ-C3	6314-C3	6314-C3	6314-C3	6314-C3	6314-C3	6314-C3	6314-C3
			4 - 12p				6316-C3	6316-C3	6316-C3	6319-C3	6319-C3
Locking		Internal bearing cap at DE with spring washer at NDE		Locked on drive end with internal and external bearing cap and with preload springs on NDE							
Shaft Seal		V' Ring		WSeal®							
Lubrication		Grease Type - 50Hz		Mobil Polyrex EM							
		Grease Type - 60Hz - 2P		Mobil Polyrex EM				Isoflex NBU 15			
		Grease Type - 60Hz - (4P and above)		Mobil Polyrex EM							
		Grease fitting		Without grease fitting		With grease fitting (at DE and NDE)					
Terminal block		BMC terminal block							HGF staggered terminal block		
Terminal box material		FC-200 cast iron									
Cable entries		Main	Size	2xM50x1,5	2xM63x1,5		2xM63x1,5 (removable gland plate)	2xM80x2 (removable gland plate)			
		Threaded plug		Plastic plug for transport and storage purposes							
		Accessory	Size	1xM20x1,5 lateral threaded hole when fitted with accessories							
Shaft		Material		SAE 1040/45			SAE 4140				
		DE Threaded hole	2p	M20				M20			
			4 - 12p					M24			
Direction of rotation		Bidirectional									
Vibration level		Grade A									
Nameplate material		Stainless steel AISI 304									
Painting		Type		203 A							
		Performance Criteria		Corrosive category C3 according to DIN EN ISO 12944-2							
		Colour		RAL 5009							
Electrical features											
Design		50Hz e 60Hz (IE1/IE2/IE3)		N							
		60Hz (IE4)		NE							
		50Hz (IE4)		NONE							
		50Hz (IE5)		NONE							
Voltage / Frequency		380-415/660//460 V (50 // 60Hz)									
Winding		Impregnation		Dip and bake	Continuous flow impregnation						
		Insulation class		F (DT 80K)							
Service factor		50Hz (IE1, IE2, IE3, IE4, IE5)		1,00							
		60Hz (IE1, IE2)		1,15				1,00			
		60Hz (IE3)		1,25		1,15		1,00			
		60Hz (IE4)		-		1,25	1,15	1,00			
Rotor		Aluminium die cast									
Thermal protection		PTC Thermistor - 155°C									

* Multi-voltage 50/60Hz motors are provided with Mobil Polyrex EM grease as standard. For spot wound, 2 pole, 60Hz motors in frame sizes 355M/L and 355A/B, Kluber Isoflex NBU 15 will be supplied.

16. Optional Features

Frame	63	71	80	90	100	112	132
Mechanical options							
Terminal box							
Auxiliary terminal box (thermal protection)	0	0	0	0	0	0	0
Auxiliary terminal box (heaters)	0*	0*	0*	0*	0*	0*	0
Terminal box with removable gland plate	NA	NA	NA	NA	NA	NA	NA
Oversized Terminal Box	NA	NA	NA	NA	NA	NA	NA
Terminal block							
BMC terminal block - six-pin	S	S	S	S	S	S	S
BMC terminal block - twelve-pin	NA	NA	0	0	0	0	0
HGF staggered terminal block	NA	NA	NA	NA	NA	NA	NA
Cable glands							
Plastic cable gland	0	0	0	0	0	0	0
Brass cable gland	0	0	0	0	0	0	0
Stainless steel cable gland	NA	NA	NA	0	0	0	0
Flange							
Flange FF (IEC)	0	0	0	0	0	0	0
Flange FF (IEC) - superior	0	0	0	0	0	0	0
Flange FF (IEC) - inferior	NA	0	0	0	0	0	0
Flange C-DIN (IEC)	0	0	0	0	0	0	0
Flange C-DIN (IEC) - superior	0	0	0	0	0	0	NA
Flange C-DIN (IEC) - inferior	NA	0	0	0	0	NA	0
Flange C (NEMA)	0	0	0	0	0	0	0
Flange D (NEMA)	0	0	0	0	0	0	0
Flange D (NEMA) - superior	0	0	0	0	0	0	0
Flange D (NEMA) - inferior	NA	0	0	0	0	0	0
Flange C (NEMA) - superior	0	0	0	0	0	NA	0
Flange C (NEMA) - inferior	NA	NA	NA	0	0	0	0
Cooling fan							
Polypropylene (2 pole)	S	S	S	S	S	S	S
Polypropylene (4 pole and above)	S	S	S	S	S	S	S
Conductive plastic (2 pole)	0	0	0	0	0	0	0
Conductive plastic (4 pole and above)	0	0	0	0	0	0	0
Aluminium (2 pole)	0	0	0	0	0	0	0
Aluminium (4 pole and above)	0	0	0	0	0	0	0
Cast iron	0	0	0	0	0	0	0
Bronze	0*	0*	0	0	0	0	0
Bearings							
ZZ ball bearings at both ends	S	S	S	S	S	S	S
ZZ-C3 ball bearings at both ends	0	0	0	0	0	0	0
C3 ball bearings at both ends	NA	NA	NA	NA	NA	NA	NA
2RS ball bearings at both ends	0	0	0	0	0	0	0
Without bearing cap at DE	S	S	S	S	S	S	S
With bearing cap at DE	NA	0	0	0	0	0	0
Roller bearing at DE	NA	NA	NA	NA	NA	NA	0
Shaft sealing							
Nitrilic rubber lip seal	0	0	0	0	0	0	0
Nitrilic rubber oil seal	0	0	0	0	0	0	0
Viton lip seal	0	0	0	0	0	0	0
Viton oil seal	0	0	0	0	0	0	0
Taconite labyrinth	NA	NA	NA	0	0	0	0
W3 Seal® (brass)	NA	NA	NA	0	0	0	0
INPRO/SEAL	NA	NA	NA	0	0	0	0
Other sealing							
Joints sealing with Loctite 5923 (permatex)	0	0	0	0	0	0	0
Bolt sealing with Loctite 5923 (permatex)	0	0	0	0	0	0	0
Degree of protection							
IP56	0	0	0	0	0	0	0
IP65	0	0	0	0	0	0	0
IP66	0	0	0	0	0	0	0

Notes: Other optional features, on request. Some combinations of optional features are not possible - please contact B&P.

S - Standard 0 - Optional 0* Optional (feature available upon request for WEG) NA - Not available

Frame	160	180	200	225S/M	250S/M	280S/M	315S/M	315L	355M/L	355A/B
Mechanical options										
Terminal box										
Auxiliary terminal box (thermal protection)	0	0	0	0	0	0	0	0	0	0
Auxiliary terminal box (heaters)	0	0	0	0	0	0	0	0	0	0
Terminal box with removable gland plate	0 ¹	0 ¹	0 ¹	0	0	0	0	S	S	S
Oversized Terminal Box	NA	NA	NA	0	0	0	0	0	0	0
Terminal block										
BMC terminal block - six-pin	S	S	S	S	S	S	S	S	S	NA
BMC terminal block - twelve-pin	0	0	0	0	0	0	0	0	0	NA
HGF staggered terminal block	NA	NA	NA	NA	NA	NA	NA	NA	NA	S
Cable glands										
Plastic cable gland	0	0	0	0	0	0	0	0	0	0
Brass cable gland	0	0	0	0	0	0	0	0	0	0
Stainless steel cable gland	0	0	0	0	0	0	0	0	0	0
Flange										
Flange FF (IEC)	0	0	0	0	0	0	0	0	0	0
Flange FF (IEC) - superior	0	0	0	NA	NA	0	NA	NA	NA	NA
Flange FF (IEC) - inferior	0	0	0	0	0	NA	0	0	NA	NA
Flange C-DIN (IEC)	NA	NA	NA	NA	NA	NA	NA	NA	NA	NA
Flange C-DIN (IEC) - superior	NA	NA	NA	NA	NA	NA	NA	NA	NA	NA
Flange C-DIN (IEC) - inferior	0	NA	NA	NA	NA	NA	NA	NA	NA	NA
Flange C (NEMA)	0	0	0	0	0	0	0	0	0	NA
Flange D (NEMA)	0	0	0	0	0	0	0	0	0	0
Flange D (NEMA) - superior	0	0	0	NA	NA	0	NA	NA	NA	NA
Flange D (NEMA) - inferior	0	0	0	0	0	NA	0	0	NA	NA
Flange C (NEMA) - superior	NA	0	0	NA	NA	0	NA	NA	NA	NA
Flange C (NEMA) - inferior	NA	NA	NA	NA	0	NA	0	0	NA	NA
Cooling fan										
Polypropylene (2 pole)	S	S	S	S	S	S	S	S	S	NA
Polypropylene (4 pole and above)	S	S	S	S	S	S	S	NA	NA	NA
Conductive plastic (2 pole)	0	0	0	0	0	0	0	0	0	NA
Conductive plastic (4 pole and above)	0	0	0	0	0	0	0	NA	NA	NA
Aluminium (2 pole)	0	0	0	0	0	0	0	0	0	S
Aluminium (4 pole and above)	0	0	0	0	0	0	0	S	S	S
Cast iron	0	0	0	0	0	0	0	0	0	0
Bronze	0	0	0	0	0	0	0	0	0	0
Bearings										
ZZ ball bearings at both ends	NA	NA	NA	NA	NA	NA	NA	NA	NA	NA
ZZ-C3 ball bearings at both ends	S	S	S	NA	NA	NA	NA	NA	NA	NA
C3 ball bearings at both ends	NA	NA	NA	S	S	S	S	S	S	S
2RS ball bearings at both ends	NA	NA	NA	NA	NA	NA	NA	NA	NA	NA
Without bearing cap at DE	NA	NA	NA	NA	NA	NA	NA	NA	NA	NA
With bearing cap at DE	S	S	S	S	S	S	S	S	S	S
Roller bearing at DE	0	0	0	0	0	0	0	0	0	0
Shaft sealing										
Nitrilic rubber lip seal	0	0	0	0	0	0	NA	NA	NA	NA
Nitrilic rubber oil seal	0	0	0	0	0	0	NA	NA	NA	NA
Viton lip seal	0	0	0	0	0	0	0	0	0	0
Viton oil seal	0	0	0	0	0	0	0	0	0	0
Taconite labyrinth	0	0	0	0	0	0	0	0	0	0
W3 Seal® (brass)	0	0	0	0	0	0	0	0	0	0
INPRO/SEAL	0	0	0	0	0	0	0	0	0	0
Other sealing										
Joints sealing with Loctite 5923 (permatex)	0	0	0	0	0	0	0	0	0	0
Bolt sealing with Loctite 5923 (permatex)	0	0	0	0	0	0	0	0	0	0
Degree of protection										
IP56	0	0	0	0	0	0	0	0	0	0
IP65	0	0	0	0	0	0	0	0	0	0
IP66	0	0	0	0	0	0	0	0	0	0

1) Option available for motors utilizing W21 terminal box.

Frame	63	71	80	90	100	112	132
Shaft							
AISI 1040/45	S	S	S	S	S	S	S
AISI 4140	0	0	0	0	0	0	0
AISI 304 (stainless steel)	0	0	0	0	0	0	0
AISI 316 (stainless steel)	0	0	0	0	0	0	0
AISI 420 (stainless steel)	0	0	0	0	0	0	0
Shaft locking device (standard for roller bearing motors)	NA	NA	NA	NA	NA	NA	0
Second shaft end	0	0	0	0	0	0	0
Painting plan							
202P Primer: One coat with 20 to 55 µm of alkyd red oxide. Intermediate: One coat with 20 to 30 µm of isocyanate epoxy paint. / Finishing: One coat with 70 to 100 µm of polyurethane paint N2677. / Meets atmospheric corrosive category "C3" as indicated in DIN EN ISO 12944-2.	0	0	0	0	0	0	0
211E Primer: One coat with 100 to 140 µm of epoxy paint N2630. / Finishing: One coat with 100 to 140 µm of epoxy paint N2628. / Meets atmospheric corrosive categories C5 (I and M) as indicated in DIN EN ISO 12944-2.	0	0	0	0	0	0	0
211P Primer: One coat with 100 to 140 µm of epoxy paint N2630. / Finishing: One coat with 70 to 100 µm of polyurethane paint N2677. / Meets atmospheric corrosive categories C5 (I and M) as indicated in DIN EN ISO 12944-2.	0	0	0	0	0	0	0
212E Primer: One coat with 75 to 105 µm of epoxy paint N1277. Intermediate: One coat with 100 to 140 µm of epoxy paint N2630. / Finishing: One coat with 100 to 140 µm of epoxy paint N2628. / Meets atmospheric corrosive categories C5 (I and M) as indicated in DIN EN ISO 12944-2.	0	0	0	0	0	0	0
212P Primer: One coat with 75 to 105 µm of epoxy paint N1277. Intermediate: One coat with 100 to 140 µm of epoxy paint N2630. / Finishing: One coat with 70 to 100 µm of polyurethane paint N2677. / Meets atmospheric corrosive categories C5 (I and M) as indicated in DIN EN ISO 12944-2.	0	0	0	0	0	0	0
213E Primer: One coat with 75 to 90 µm of Silicate Ethyl paint N1661. / Intermediate: One coat with 35 to 50 µm of epoxy paint N1202. / Finishing: One coat with 240 to 340 µm of epoxy paint N2628. / Meets atmospheric corrosive categories C5 (I and M) as indicated in DIN EN ISO 12944-2.	0	0	0	0	0	0	0
Inside of terminal box painted	0	0	0	0	0	0	0
Internal tropical protection - complete	0	0	0	0	0	0	0
Grease / Lubrication							
Grease - Aeroshell 7	0*	0*	0*	0*	0*	0*	0*
Grease - Isoflex NBU-15	0	0	0	0	0	0	0
Grease - Aeroshell 22	0	0	0	0	0	0	0
Carbon steel grease nipple	NA	NA	NA	0	0	0	0
Stainless steel grease nipple	NA	NA	NA	0	0	0	0
Balance and Vibration							
Balance without key	0	0	0	0	0	0	0
Balance with full key	0	0	0	0	0	0	0
Vibration level grade B	0	0	0	0	0	0	0
Provision for vibration detector SPM (1 x hole M8 on DE and NDE shield for vertical reading)	NA	NA	NA	0	0	0	0
Key Type A	S	S	S	S	S	S	S
Key Type B	0*	0*	0*	0*	0*	0*	0*
Key Type C	0*	0*	0*	0*	0	0	0
Drain							
Stainless steel threaded drain plug	0	0	0	0	0	0	0
"T" format threaded drain plug	0	0	0	0	0	0	0

Notes: Other optional features, on request.

Some combinations of optional features are not possible - please contact B&P.

S - Standard

O - Optional

O* Optional (feature available upon request for WEG)

NA - Not available

Frame	160	180	200	225S/M	250S/M	280S/M	315S/M	315L	355M/L	355A/B
Shaft										
AISI 1040/45	S	S	S	S	S	S	S	NA	NA	NA
AISI 4140	0	0	0	0	0	0	0	S	S	S
AISI 304 (stainless steel)	0	0	0	0	0	0	0	0	0	0
AISI 316 (stainless steel)	0	0	0	0	0	0	0	0	0	0
AISI 420 (stainless steel)	0	0	0	0	0	0	0	0	0	0
Shaft locking device (standard for roller bearing motors)	0	0	0	0	0	0	0	0	0	0
Second shaft end	0	0	0	0	0	0	0	0	0	0
Painting plan										
202P Primer: One coat with 20 to 55 µm of alkyd red oxide. Intermediate: One coat with 20 to 30 µm of isocyanate epoxy paint. / Finishing: One coat with 70 to 100 µm of polyurethane paint N2677. / Meets atmospheric corrosive category "C3" as indicated in DIN EN ISO 12944-2.	0	0	0	0	0	0	0	0	0	0
211E Primer: One coat with 100 to 140 µm of epoxy paint N2630. / Finishing: One coat with 100 to 140 µm of epoxy paint N2628. / Meets atmospheric corrosive categories C5 (I and M) as indicated in DIN EN ISO 12944-2.	0	0	0	0	0	0	0	0	0	0
211P Primer: One coat with 100 to 140 µm of epoxy paint N2630. / Finishing: One coat with 70 to 100 µm of polyurethane paint N2677. / Meets atmospheric corrosive categories C5 (I and M) as indicated in DIN EN ISO 12944-2.	0	0	0	0	0	0	0	0	0	0
212E Primer: One coat with 75 to 105 µm of epoxy paint N1277. Intermediate: One coat with 100 to 140 µm of epoxy paint N2630. / Finishing: One coat with 100 to 140 µm of epoxy paint N2628. / Meets atmospheric corrosive categories C5 (I and M) as indicated in DIN EN ISO 12944-2.	0	0	0	0	0	0	0	0	0	0
212P Primer: One coat with 75 to 105 µm of epoxy paint N1277. Intermediate: One coat with 100 to 140 µm of epoxy paint N2630. / Finishing: One coat with 70 to 100 µm of polyurethane paint N2677. / Meets atmospheric corrosive categories C5 (I and M) as indicated in DIN EN ISO 12944-2.	0	0	0	0	0	0	0	0	0	0
213E Primer: One coat with 75 to 90 µm of Silicate Ethyl paint N1661. / Intermediate: One coat with 35 to 50 µm of epoxy paint N1202. / Finishing: One coat with 240 to 340 µm of epoxy paint N2628. / Meets atmospheric corrosive categories C5 (I and M) as indicated in DIN EN ISO 12944-2.	0	0	0	0	0	0	0	0	0	0
Inside of terminal box painted	0	0	0	0	0	0	0	0	0	0
Internal tropical protection - complete	0	0	0	0	0	0	0	0	0	0
Grease / Lubrication										
Grease - Aeroshell 7	0*	0*	0*	0*	0*	0*	0*	0*	0*	0*
Grease - Isoflex NBU-15	0	0	0	0	0	0	0	0	0	0
Grease - Aeroshell 22	0	0	0	0	0	0	0	0	0	0
Carbon steel grease nipple	0	0	0	S	S	S	S	S	S	S
Stainless steel grease nipple	0	0	0	0	0	0	0	0	0	0
Balance and Vibration										
Balance without key	0	0	0	0	0	0	0	0	0	0
Balance with full key	0	0	0	0	0	0	0	0	0	0
Vibration level grade B	0	0	0	0	0	0	0	0	0	0
Provision for vibration detector SPM (1 x hole M8 on DE and NDE shield for vertical reading)	0	0	0	0	0	0	0	0	0	0
Key Type A	S	S	S	0*	0*	0*	0*	0*	0*	0*
Key Type B	0*	0*	0*	S	S	S	S	S	S	S
Key Type C	0	0	0	0	0	0	0	0	0	0
Drain										
Stainless steel threaded drain plug	0	0	0	0	0	0	0	0	0	0
"T" format threaded drain plug	0	0	0	0	0	0	0	0	0	0

Notes: Other optional features, on request.

Some combinations of optional features are not possible - please contact B&P.

S - Standard

O - Optional

O* Optional (feature available upon request for WEG)

NA - Not available

Frame	63	71	80	90	100	112	132
Grounding							
Double grounding (one inside terminal box and another on the motor frame)	0	0	0	0	0	0	0
Triple grounding (one inside terminal box, two on the motor frame)	NA	NA	0	0	0	0	0
Nameplates							
Second main nameplate (loose)	0	0	0	0	0	0	0
Additional / Tag plate	0	0	0	0	0	0	0
VSD rating plate	0	0	0	0	0	0	0
Direction of Rotation plate	0	0	0	0	0	0	0
Other mechanical optionals							
Drip cover (recommended for vertical shaft down applications)	0	0	0	0	0	0	0
Rubber slinger (recommended for vertical shaft up applications)	NA	NA	NA	0	0	0	0
Stainless steel hardware	0	0	0	0	0	0	0
Grease outlet through the endshield	NA	NA	NA	0*	0*	0*	0*
Without cooling fan - IC 418 (TEAO) or IC 410 (TENV)	0*	0*	0*	0*	0*	0*	0*
Loose leads in lieu of t/box (up to 2 metres)	0	0	0	0	0	0	0
Electrical optionals							
Winding thermal protection							
Thermostat - alarm / trip (NO or NC) - 130 °C	0	0	0	0	0	0	0
Thermostat - alarm / trip (NO or NC) - 155 °C	0	0	0	0	0	0	0
Thermostat - trip (NO or NC) - 180 °C	0	0	0	0	0	0	0
Pt-100 two wires, one per phase	0	0	0	0	0	0	0
Pt-100 two wires, two per phase	0	0	0	0	0	0	0
Pt-100 three wires, one per phase	0	0	0	0	0	0	0
Pt-100 three wires, two per phase	0	0	0	0	0	0	0
PTC Thermistor - alarm/trip (130 °C)	0	0	0	0	0	0	0
PTC Thermistor - alarm/trip (155 °C)	0	0	0	0	0	0	0
PTC Thermistor - trip (180 °C)	0	0	0	0	0	0	0
Bearing thermal protection							
Thermostat, one per bearing	NA	NA	NA	0*	0*	0*	0*
PTC Thermistor, one per bearing	NA	NA	NA	0*	0*	0*	0*
Pt-100 two wires, one per bearing	NA	NA	NA	0*	0*	0*	0*
Pt-100 three wires, one per bearing	NA	NA	NA	0*	0*	0*	0*
Pt-100 three wires (calibrated)	NA	NA	NA	0*	0*	0*	0*
Space heaters							
110-127 V	0	0	0	0	0	0	0
220-240 V	0	0	0	0	0	0	0
110-127 / 220-240 V	0	0	0	0	0	0	0
380-480 V	0	0	0	0	0	0	0
Service factor							
Service factor 1,15	0	0	0	0	0	0	0
Insulation class							
H	0	0	0	0	0	0	0
Variable Speed Options							
Forced ventilation kit with encoder provision (inform auxiliary motor voltage)	NA	NA	NA	0	0	0	0
Forced ventilation kit without encoder provision (inform auxiliary motor voltage)	NA	NA	NA	0	0	0	0
Encoder	NA	NA	NA	0	0	0	0
DE side shaft grounding brush	NA	NA	NA	NA	NA	NA	NA
NDE side shaft grounding brush	NA	NA	NA	NA	NA	NA	NA
Insulated DE ball bearing	NA	NA	NA	NA	NA	NA	NA
Insulated NDE ball bearing	NA	NA	NA	NA	NA	NA	NA
Insulated DE bearing hub	NA	NA	NA	NA	NA	NA	NA
Insulated NDE bearing hub	NA	NA	NA	NA	NA	NA	NA

Notes: Other optional features, on request.

Some combinations of optional features are not possible - please contact B&P.

S - Standard

O - Optional

O* Optional (feature available upon request for WEG)

NA - Not available

Frame	160	180	200	225S/M	250S/M	280S/M	315S/M	315L	355M/L	355A/B
Grounding										
Double grounding (one inside terminal box and another on the motor frame)	0	0	0	S	S	S	S	S	S	S
Triple grounding (one inside terminal box, two on the motor frame)	0	0	0	0	0	0	0	0	0	0
Nameplates										
Second main nameplate (loose)	0	0	0	0	0	0	0	0	0	0
Additional / Tag plate	0	0	0	0	0	0	0	0	0	0
VSD rating plate	0	0	0	0	0	0	0	0	0	0
Direction of Rotation plate	0	0	0	0	0	0	0	0	0	0
Other mechanical options										
Drip cover (recommended for vertical shaft down applications)	0	0	0	0	0	0	0	0	0	0
Rubber slinger (recommended for vertical shaft up applications)	0	0	0	0	0	0	0	0	0	0
Stainless steel hardware	0	0	0	0	0	0	0	0	0	0
Grease outlet through the endshield	0*	0*	0*	0	0	0	0	0	0	0
Without cooling fan - IC 418 (TEAO) or IC 410 (TENV)	0*	0*	0*	0*	0*	0*	0*	0*	0*	0*
Loose leads in lieu of t/box (up to 2 metres)	0	0	0	0	0	0	0	0	0	0
Electrical options										
Winding thermal protection										
Thermostat - alarm / trip (NO or NC) - 130 °C	0	0	0	0	0	0	0	0	0	0
Thermostat - alarm / trip (NO or NC) - 155 °C	0	0	0	0	0	0	0	0	0	0
Thermostat - trip (NO or NC) - 180 °C	0	0	0	0	0	0	0	0	0	0
Pt-100 two wires, one per phase	0	0	0	0	0	0	0	0	0	0
Pt-100 two wires, two per phase	0	0	0	0	0	0	0	0	0	0
Pt-100 three wires, one per phase	0	0	0	0	0	0	0	0	0	0
Pt-100 three wires, two per phase	0	0	0	0	0	0	0	0	0	0
PTC Thermistor - alarm/trip (130 °C)	0	0	0	0	0	0	0	0	0	0
PTC Thermistor - alarm/trip (155 °C)	S	S	S	S	S	S	S	S	S	S
PTC Thermistor - trip (180 °C)	0	0	0	0	0	0	0	0	0	0
Bearing thermal protection										
Thermostat	0	0	0	0	0	0	0	0	0	0
PTC Thermistor	0	0	0	0	0	0	0	0	0	0
Pt-100 two wires, one per bearing	0	0	0	0	0	0	0	0	0	0
Pt-100 three wires, one per bearing	0	0	0	0	0	0	0	0	0	0
Pt-100 three wires (calibrated)	0	0	0	0	0	0	0	0	0	0
Space heaters										
110-127 V	0	0	0	0	0	0	0	0	0	0
220-240 V	0	0	0	0	0	0	0	0	0	0
110-127 / 220-240 V	0	0	0	0	0	0	0	0	0	0
380-480 V	0	0	0	0	0	0	0	0	0	0
Service factor										
Service factor 1,15	0	0	0	0	0	0	0	0	0	0
Insulation class										
H	0	0	0	0	0	0	0	0	0	0
Variable Speed Options										
Forced ventilation kit with encoder provision (inform auxiliary motor voltage)	0	0	0	0	0	0	0	0	0	0
Forced ventilation kit without encoder provision (inform auxiliary motor voltage)	0	0	0	0	0	0	0	0	0	0
Encoder	0	0	0	0	0	0	0	0	0	0
DE side shaft grounding brush	NA	NA	NA	0*	0*	0*	0	0	0	0
NDE side shaft grounding brush	NA	NA	NA	0	0	0	0	0	0	0
Insulated DE ball bearing	NA	NA	NA	0	0	0	0	0	0	0
Insulated NDE ball bearing	NA	NA	NA	0	0	0	0	0	0	0
Insulated DE bearing hub	NA	NA	NA	0	0	0	0	0	0	0
Insulated NDE bearing hub	NA	NA	NA	0	0	0	S	S	S	S

Notes: Other optional features, on request.

Some combinations of optional features are not possible - please contact B&P.

S - Standard

O - Optional

O* Optional (feature available upon request for WEG)

NA - Not available

17. Electrical Data

W22 - Super Premium Efficiency - IE4 (50Hz)

Output		Frame	Full Load Torque (Nm)	Locked Rotor Current I _L /I _n	Locked Rotor Torque T _L /T _n	Break-down Torque T _b /T _n	Inertia J (kgm ²)	Allowable locked rotor time (s)		Weight (kg)	Sound dB(A)	400 V						Full load current I _n (A)	
								Hot	Cold			Efficiency			Power Factor				
												50	75	100	50	75	100		
II Poles																			
0,12	0,16	63	0,40	7,1	5,8	5,4	0,0002	40	88	8,7	52	2880	61,1	66,5	66,5	0,40	0,52	0,61	0,43
0,18	0,25	63	0,60	6,6	4,5	4,4	0,0002	22	48	8,9	52	2870	61,9	68,1	70,8	0,42	0,54	0,64	0,57
0,25	0,33	63	0,86	8,0	3,0	2,6	0,0002	12	26	8,7	52	2785	67,5	70,8	74,3	0,56	0,70	0,79	0,62
0,37	0,5	71	1,24	7,6	2,9	3,1	0,0005	16	35	11,2	56	2850	75,7	78,1	78,1	0,61	0,74	0,82	0,83
0,55	0,75	71	1,84	7,4	3,7	3,7	0,0005	17	37	11,6	56	2850	77,3	80,2	81,5	0,57	0,71	0,80	1,22
0,75	1	80	2,49	8,2	3,5	3,6	0,0009	17	37	15,5	59	2875	79,5	82,0	83,5	0,57	0,70	0,79	1,64
1,1	1,5	L80	3,67	8,4	4,2	3,9	0,0011	19	42	17	59	2860	82,7	84,3	85,2	0,59	0,72	0,80	2,33
1,5	2	L90S	4,97	8,7	3,5	3,4	0,0023	16	35	22,6	62	2885	84,9	86,2	86,5	0,67	0,78	0,84	2,98
2,2	3	L90L	7,27	9,1	4,2	3,9	0,0030	14	31	25,6	62	2890	86,2	87,5	88,0	0,66	0,77	0,83	4,35
3	4	L100L	9,87	9,2	3,0	3,6	0,0070	15	33	34	67	2905	88,6	89,1	89,1	0,75	0,84	0,88	5,52
4	5,5	112M	13,20	9,1	2,8	3,8	0,0094	17	37	44,6	62	2905	88,7	89,9	90,0	0,69	0,80	0,85	7,55
5,5	7,5	132S	17,80	9,1	2,6	3,8	0,0206	19	42	66	63	2945	88,0	89,9	90,9	0,67	0,78	0,84	10,40
7,5	10	L132S	24,40	9,3	3,0	3,8	0,0267	18	40	75	63	2940	89,3	90,9	91,7	0,70	0,81	0,85	13,90
9,2	12,5	132M/L	29,90	9,7	2,9	3,7	0,0339	16	35	84,7	63	2940	90,1	91,4	92,2	0,74	0,83	0,87	16,60
11	15	160M	35,60	9,3	2,9	3,9	0,0588	17	37	124	67	2955	91,2	92,3	92,6	0,70	0,80	0,85	20,20
15	20	160L	48,50	9,6	3,2	4,0	0,0767	15	33	142	67	2955	92,2	93,1	93,3	0,72	0,82	0,86	27,00
18,5	25	180L	59,70	9,5	3,4	3,3	0,1138	23	51	179	67	2960	92,7	93,6	93,7	0,74	0,82	0,86	33,10
22	30	180L	71,00	9,5	3,5	3,5	0,1225	17	37	187	67	2960	92,9	93,7	94,0	0,68	0,78	0,83	40,70
30	40	200L	96,50	9,0	3,4	3,5	0,2284	27	59	263	72	2970	92,8	93,9	94,5	0,70	0,80	0,84	54,50
37	50	225S/M	119,00	9,2	2,8	3,4	0,3757	28	62	412	74	2970	92,9	94,0	94,8	0,78	0,85	0,88	64,00
45	60	250S/M	145,00	9,2	3,2	3,4	0,5038	32	70	484	74	2970	93,2	94,3	95,0	0,76	0,84	0,87	78,60
55	75	250S/M	177,00	8,1	3,2	3,2	0,6068	35	77	530	74	2970	93,7	94,6	95,3	0,79	0,86	0,89	93,60
75	100	280S/M	240,00	8,3	2,5	3,2	1,5109	36	79	670	77	2981	93,6	94,8	95,6	0,75	0,83	0,86	132,00
90	125	280S/M	289,00	8,4	2,3	3,0	1,5998	32	70	710	77	2979	94,3	95,2	95,8	0,78	0,85	0,88	154,00
110	150	315S/M	353,00	8,0	2,1	2,9	2,3439	46	101	920	77	2980	94,0	95,5	96,0	0,76	0,84	0,87	190,00
132	175	315S/M	423,00	8,3	2,7	3,3	2,5570	42	92	1020	77	2983	95,1	95,9	96,2	0,79	0,85	0,88	225,00
150	200	315S/M	481,00	8,0	2,3	2,9	3,0522	35	77	1030	77	2980	95,2	96,0	96,3	0,78	0,85	0,88	255,00
160	220	315S/M	513,00	8,4	2,8	3,0	3,0522	36	79	1135	77	2983	95,4	96,2	96,3	0,80	0,86	0,89	269,00
185	250	315L	593,00	6,8	2,4	2,6	3,1267	36	79	1200	78	2979	95,4	96,1	96,5	0,82	0,88	0,89	311,00
200	270	315L	641,00	8,6	2,8	3,3	3,2756	27	59	1225	78	2983	95,4	96,2	96,5	0,77	0,85	0,88	340,00
220	300	315L	706,00	7,7	2,4	2,4	3,9255	36	79	1400	78	2978	95,7	96,4	96,5	0,85	0,89	0,90	366,00
250	340	315L	801,00	9,2	2,8	2,6	4,0200	26	57	1413	78	2983	95,7	96,4	96,5	0,81	0,87	0,89	420,00
260	350	315L	833,00	7,7	2,7	2,8	4,0736	27	59	1430	78	2982	95,8	96,5	96,5	0,82	0,88	0,90	432,00
280	380	355M/L	896,00	8,4	2,8	2,8	6,0053	36	79	1817	80	2986	95,6	96,2	96,5	0,86	0,89	0,90	465,00
300	400	355M/L	960,00	8,9	2,6	2,6	6,0053	30	66	1815	80	2985	95,8	96,2	96,5	0,87	0,90	0,91	493,00
315	430	355M/L	1008,00	8,4	3,1	3,0	6,0053	27	59	1820	80	2985	95,8	96,2	96,5	0,86	0,90	0,91	518,00
355	480	355A/B	1136,00	8,8	3,3	2,9	7,7211	30	66	2240	83	2986	96,5	96,5	96,5	0,86	0,90	0,90	590,00
IV Poles																			
0,12	0,16	63	0,80	8,4	4,0	4,1	0,0007	23	51	8,8	44	1435	55,9	63,5	69,8	0,36	0,46	0,55	0,45
0,18	0,25	71	1,20	8,4	3,5	3,7	0,0008	27	59	11,3	43	1435	67,7	73,1	74,7	0,37	0,48	0,57	0,61
0,25	0,33	71	1,69	6,7	3,0	3,0	0,0007	43	95	11,3	43	1410	72,9	76,2	77,9	0,43	0,55	0,65	0,71
0,37	0,5	L80	2,44	8,2	2,7	3,2	0,0037	18	40	16,9	44	1450	76,5	79,5	81,1	0,56	0,69	0,78	0,84
0,55	0,75	L80	3,64	8,6	3,8	4,0	0,0039	25	55	17,6	44	1445	79,8	82,2	83,9	0,56	0,69	0,78	1,21
0,75	1	90S	4,91	8,1	2,7	3,5	0,0049	21	46	20,8	49	1460	82,1	84,6	85,7	0,51	0,65	0,74	1,71
1,1	1,5	L90L	7,22	8,3	2,8	3,4	0,0071	20	44	24,6	49	1455	85,1	86,7	87,2	0,56	0,69	0,77	2,36
1,5	2	100L	9,92	8,6	3,3	3,1	0,0097	30	66	33,4	53	1445	87,3	88,2	88,2	0,60	0,72	0,79	3,11
2,2	3	112M	14,40	7,8	2,2	3,0	0,0169	40	88	43,5	56	1460	89,3	89,5	89,5	0,61	0,73	0,79	4,49
3	4	L112M	19,60	9,0	2,9	3,6	0,0195	23	51	46,5	56	1465	88,9	90,0	90,4	0,55	0,68	0,76	6,30
4	5,5	132M	25,90	8,0	2,7	3,5	0,0488	30	66	67,7	56	1475	89,2	90,6	91,1	0,55	0,68	0,76	8,34
5,5	7,5	132M	35,60	8,1	2,7	3,3	0,0657	26	57	78,3	56	1475	90,2	91,4	91,9	0,58	0,70	0,78	11,10
7,5	10	160M	48,40	8,7	2,8	3,2	0,1121	25	55	120	61	1480	91,1	92,3	92,6	0,62	0,74	0,80	14,60
9,2	12,5	160M	59,40	8,1	2,7	3,2	0,1319	24	53	131	61	1479	91,6	92,8	93,0	0,58	0,71	0,78	18,30
11	15	160L	71,00	8,7	2,9	3,2	0,1607	22	48	144	61	1480	92,1	93,1	93,3	0,63	0,75	0,81	21,00
15	20	180M	96,80	8,8	3,3	3,7	0,1910	20	44	180	61	1480	92,6	93,6	93,9	0,62	0,74	0,80	28,80
18,5	25	180L	120,00	9,1	3,5	3,7	0,2263	17	37	196	61	1479	92,9	93,8	94,2	0,63	0,75	0,81	35,00
22	30	200L	142,00	8,7	3,0	3,3	0,3202	21	46	241	63	1483	93,3	94,3	94,5	0,61	0,73	0,79	42,50
30	40	225S/M	193,00	8,7	2,7	3,3	0,7078	30	66	405	63	1484	94,1	94,8	94,9	0,66	0,77	0,83	55,00
37	50	225S/M	238,00	8,6	2,7	3,3	0,7322	26	57	413	63	1483	94,4	95,0	95,2	0,67	0,78	0,83	67,60
45	60	250S/M	289,00	9,2	2,9	3,3	1,0757	22	48	491	64	1486	94,7	95,2	95,4	0,68	0,79	0,84	81,10
55	75	250S/M	354,00	8,4	3,1	3,5	1,2046	18	40	520	64	1486	94,8	95,3	95,7	0,65	0,76	0,82	101,00
75	100	280S/M	481,00	7,7	2,6	2,8	2,8540	34	75	735	69	1489	95,3	95,8	96,0	0,70	0,80	0,83	136,00
90	125	280S/M	578,00	8,0	2,7	2,9	2,8540	31	68	790	69	1489	95,5	96,0	96,1	0,71	0,80	0,84	161,00
110	150	315S/M	705,00	7,0	2,6	2,8	2,8735	36	79	935	71	1491	95,4	96,0	96,3	0,69	0,79	0,83	199,00
132	175	315S/M	846,00	7,3	2,7	2,9	3,2050	32	70	980	71	1491	95,4	96,1	96,4	0,68	0,78	0,83	238,00
150	200	315S/M	961,00	8,0	3,0	3,0	4,4207	39	86	1040	71	1491	95,5	96,1	96,5	0,66	0,77	0,83	270,00
160	220	315S/M	1025,00	8,1	3,0	3,0	5,0838	25	55	1110	71	1491	95,9	96,4	96,6	0,71	0,80	0,85	281,00
185	250	315L	1186,00	7,1															

W22 - Super Premium Efficiency - IE4 (50Hz)

Output		Frame	Full Load Torque (Nm)	Locked Rotor Current II/In	Locked Rotor Torque TI/Tn	Break-down Torque Tb/Tn	Inertia J (kgm ²)	Allowable locked rotor time (s)		Weight (kg)	Sound dB(A)	400 V						Full load current In (A)	
								Hot	Cold			Efficiency			Power Factor				
												Rated speed (rpm)	50	75	100	50	75		100
VI Poles																			
0,12	0,16	71	1,23	5,5	2,3	2,0	0,0008	20	44	11,3	43	930	57,3	63,2	64,9	0,33	0,42	0,51	0,52
0,18	0,25	80	1,81	7,0	2,4	2,7	0,0019	19	42	13,2	43	950	62,8	68,0	70,1	0,41	0,53	0,63	0,59
0,25	0,33	80	2,51	6,4	2,4	2,6	0,0024	24	53	14,2	43	950	68,9	72,5	74,1	0,45	0,58	0,68	0,72
0,37	0,5	90S	3,68	5,2	2,3	2,5	0,0044	41	90	19,5	45	960	74,8	77,4	78,0	0,46	0,59	0,68	1,01
0,55	0,75	90S	5,47	5,8	2,8	2,7	0,0055	41	90	21,6	45	960	78,5	80,3	80,9	0,46	0,59	0,69	1,42
0,75	1	L90L	7,46	6,2	3,0	3,0	0,0077	36	79	25,3	45	960	79,8	81,5	82,7	0,45	0,58	0,67	1,95
1,1	1,5	132S	10,70	7,2	2,1	3,0	0,0416	128	282	62,3	53	981	84,5	84,5	84,5	0,44	0,56	0,65	2,89
1,5	2	132S	14,60	7,0	2,2	3,0	0,0491	113	249	67,1	53	980	85,4	85,9	85,9	0,43	0,56	0,64	3,94
2,2	3	132S	21,50	7,1	2,2	2,8	0,0566	84	185	71,8	53	976	86,5	87,4	87,4	0,47	0,59	0,68	5,34
3	4	L132S	29,40	7,1	2,2	2,5	0,0643	69	152	77,1	53	975	87,0	88,3	88,6	0,51	0,63	0,71	6,88
4	5,5	132M	39,20	7,7	2,8	2,9	0,0679	43	95	79,1	53	975	86,9	88,4	89,5	0,47	0,60	0,69	9,35
5,5	7,5	160M	53,60	7,0	2,5	3,2	0,1229	25	55	112	57	980	88,8	90,3	90,5	0,54	0,67	0,75	11,70
7,5	10	160M	73,10	7,4	2,8	3,4	0,1664	22	48	128	57	981	89,3	90,8	91,3	0,52	0,66	0,74	16,00
9,2	12,5	160L	89,60	7,8	2,9	3,5	0,2107	20	44	263	57	981	89,9	91,3	91,8	0,54	0,68	0,76	19,00
11	15	180M	107,00	7,8	2,6	3,4	0,2835	18	40	172	56	982	91,2	92,0	92,3	0,57	0,71	0,78	22,10
15	20	200L	146,00	7,3	2,4	3,0	0,3693	25	55	223	60	984	91,8	92,8	92,9	0,59	0,72	0,78	29,90
18,5	25	200L	180,00	7,4	2,5	3,0	0,4563	16	35	248	60	984	92,3	93,2	93,4	0,58	0,71	0,78	36,70
22	30	225S/M	213,00	8,8	2,8	3,5	0,8169	27	59	367	63	989	93,5	93,7	93,7	0,59	0,72	0,79	42,90
30	40	225S/M	290,00	8,3	2,6	3,2	1,0211	26	57	406	63	988	94,1	94,2	94,2	0,63	0,75	0,81	56,70
37	50	250S/M	359,00	7,5	2,2	2,6	1,6538	35	77	510	64	986	94,5	94,5	94,5	0,72	0,81	0,85	66,50
45	60	280S/M	435,00	7,6	2,2	2,8	2,4709	35	77	625	65	989	94,3	94,8	94,8	0,65	0,76	0,81	84,60
55	75	280S/M	531,00	7,6	2,3	2,7	3,2496	27	59	705	65	990	94,7	95,1	95,1	0,65	0,76	0,81	103,00
75	100	315S/M	722,00	7,3	2,5	2,8	5,0838	38	84	905	67	993	94,0	95,0	95,4	0,61	0,73	0,80	142,00
90	125	315S/M	867,00	7,0	2,4	2,7	5,6056	35	77	950	67	992	94,8	95,3	95,6	0,61	0,73	0,80	170,00
110	150	315L	1058,00	7,0	2,5	2,7	8,8605	40	88	1165	68	993	95,0	95,7	95,8	0,65	0,77	0,82	202,00
132	175	315L	1271,00	7,1	2,5	2,6	9,5838	40	88	1240	68	992	95,2	95,9	96,0	0,66	0,78	0,81	245,00
150	200	315L	1445,00	7,1	2,5	2,7	10,3071	34	75	1310	68	992	95,3	95,9	96,1	0,67	0,77	0,82	275,00
160	220	315L	1540,00	7,5	2,7	2,8	11,0304	30	66	1350	68	993	95,2	95,9	96,2	0,65	0,75	0,81	296,00
185	250	355M/L	1778,00	5,7	2,0	2,2	11,7868	50	110	1570	73	994	94,8	95,8	96,3	0,64	0,75	0,80	347,00
200	270	355M/L	1923,00	6,7	2,1	2,3	11,7868	50	110	1585	73	994	94,8	95,7	96,3	0,63	0,74	0,79	379,00
220	300	355M/L	2117,00	6,6	2,0	2,4	14,5602	40	88	1910	73	993	94,7	95,6	96,3	0,61	0,74	0,79	417,00
250	340	355M/L	2403,00	6,6	2,1	2,5	13,8402	44	97	1858	73	994	94,8	95,8	96,5	0,60	0,72	0,77	486,00
260	350	355M/L	2502,00	6,3	2,1	2,4	13,8402	44	97	1860	73	993	94,9	95,9	96,5	0,62	0,73	0,78	499,00
280	380	355M/L	2692,00	6,6	2,2	2,5	14,9936	39	86	1948	73	994	94,8	95,8	96,5	0,60	0,71	0,77	544,00
300	400	355A/B	2887,00	6,2	1,8	2,0	18,9150	50	110	2420	73	993	95,5	96,2	96,6	0,67	0,77	0,81	553,00
315	430	355A/B	3028,00	6,9	2,1	2,2	19,6070	46	101	2475	73	994	95,2	96,1	96,6	0,63	0,74	0,79	596,00
VIII Poles																			
0,12	0,16	80	1,60	5,9	2,4	2,6	0,0032	35	77	16	42	715	51,7	58,7	62,3	0,35	0,45	0,53	0,53
0,18	0,25	90S	2,39	5,0	1,8	2,5	0,0044	49	108	19,6	44	720	58,2	64,5	67,2	0,36	0,46	0,54	0,72
0,25	0,33	90S	3,34	4,1	1,8	2,3	0,0052	20	44	21	44	715	62,5	67,7	70,8	0,38	0,48	0,57	0,89
0,37	0,5	L90L	4,94	4,0	1,9	2,4	0,0077	20	44	25,3	44	715	69,0	72,9	74,3	0,38	0,49	0,58	1,24
0,55	0,75	100L	7,30	4,5	2,0	2,5	0,0099	72	158	28	50	720	71,3	76,1	77,0	0,35	0,46	0,56	1,84
0,75	1	100L	10,00	4,4	1,9	2,3	0,0127	60	132	31	50	715	73,7	77,6	78,4	0,37	0,49	0,58	2,38
1,1	1,5	L100L	14,70	4,6	2,1	2,2	0,0176	60	132	36,6	50	715	77,9	80,5	80,8	0,40	0,52	0,61	3,22
1,5	2	132S	20,00	6,4	2,1	2,7	0,0592	43	95	64,4	48	715	82,1	82,6	82,6	0,47	0,60	0,69	3,80
2,2	3	160M	28,60	5,6	2,5	3,1	0,0878	47	103	98	51	736	81,8	84,5	84,5	0,37	0,50	0,59	6,37
3	4	160M	39,30	4,9	1,8	2,3	0,1053	48	106	104	51	730	85,3	85,9	85,9	0,47	0,60	0,68	7,41
4	5,5	160M	52,30	5,1	2,0	2,5	0,1141	34	75	108	51	731	84,3	86,4	87,1	0,44	0,57	0,66	10,00
5,5	7,5	160M	71,90	5,3	2,1	2,5	0,1668	31	68	128	51	731	86,0	87,6	88,3	0,46	0,59	0,67	13,40
7,5	10	180M	97,90	6,9	2,2	2,9	0,2299	16	35	156	52	732	88,3	89,3	89,3	0,52	0,66	0,74	16,40
9,2	12,5	180M	120,00	7,2	2,2	2,9	0,2846	15	33	171	52	731	89,3	89,9	89,9	0,55	0,68	0,76	19,40
11	15	180L	144,00	7,6	2,5	3,0	0,3252	14	31	184	52	732	89,6	90,4	90,4	0,55	0,68	0,76	23,10
15	20	200L	195,00	4,8	1,9	2,1	0,5285	45	99	266	56	735	91,2	91,2	91,2	0,56	0,67	0,73	32,50
18,5	25	225S/M	240,00	8,0	2,1	2,5	0,6547	23	51	336	56	737	91,1	91,7	91,7	0,61	0,73	0,78	37,30
22	30	225S/M	285,00	8,2	2,3	2,8	0,7214	18	40	349	56	737	90,8	91,9	92,1	0,55	0,68	0,75	46,00
30	40	250S/M	391,00	8,4	2,1	3,1	1,1995	18	40	440	56	734	92,6	92,7	92,7	0,62	0,74	0,80	58,40
37	50	280S/M	477,00	6,0	1,9	2,3	2,2566	37	81	595	59	741	92,6	93,1	93,1	0,57	0,69	0,74	77,50
45	60	280S/M	579,00	6,6	2,0	2,5	2,7079	30	66	642	59	742	92,5	93,3	93,4	0,53	0,65	0,72	96,60
55	75	315S/M	708,00	6,2	1,7	2,1	4,0271	42	92	859	62	742	93,7	93,7	93,7	0,63	0,73	0,78	109,00
75	100	315S/M	966,00	6,7	1,9	2,3	5,4915	32	70	974	62	742	94,2	94,2	94,2	0,62	0,73	0,78	147,00
90	125	315S/M	1157,00	7,2	2,2	2,5	6,5898	30	66	1061	62	743	94,4	94,4	94,4	0,60	0,71	0,77	179,00
110	150	315L	1418,00	6,1	1,7	2,2	7,8392	36	79	1217	68	741	94,6	94,7	94,7	0,65	0,75	0,79	212,00
132	175	355M/L	1698,00	6,3	1,6	2,2	9,8011	30	66	1330	70	743	93,9	94,8	94,9	0,61	0,72	0,77	261,00
150	200	355M/L	1924,00	7,4	1,9	2,6	13,1702	31	68	1528	70	745	94,0	95,0	95,1	0,58	0,70	0,76	300,00
160	220	355M/L	2055,00	6,5	1,6	2,2	12,5576	31	68	1493	70	744	94,2	95,1	95,1	0,63	0,73	0,78	311,00
185	250	355M/L	2376,00	6,6	1,6	2,1	16,5393	36	79	1727	70	744	94,7	95,3	95,3	0,66	0,76	0,80	350,00
200	270	355M/L	2569,00	7,2	1,9	2,4	18,9895	32	70	1871	70								

W22 - Super Premium Efficiency - IE4 (60Hz)

Output		Frame	Full Load Torque (Nm)	Locked Rotor Current In/In	Locked Rotor Torque Tl/Tn	Break-down Torque Tb/Tn	Inertia J (kgm ²)	Allowable locked rotor time (s)		Weight (kg)	Sound dB(A)	400V						Full load current In (A)	
								Hot	Cold			% of full load			Power Factor				
												50	75	100	50	75	100		
II Poles																			
0,12	0,16	63	0,34	10,3	2,9	3,0	0,0001	15	7	7,5	56	3410	54,4	61,4	66,0	0,50	0,61	0,71	0,37
0,18	0,25	63	0,50	9,9	2,9	2,9	0,0002	13	6	8	56	3420	59,6	65,7	70,0	0,52	0,64	0,74	0,50
0,25	0,33	63	0,70	8,4	2,9	3,1	0,0003	20	9	9	56	3420	65,2	70,2	74,0	0,54	0,67	0,76	0,64
0,37	0,5	63	1,05	6,1	3,9	3,2	0,0002	37	17	9	56	3375	69,9	73,6	77,0	0,56	0,69	0,79	0,88
0,55	0,75	71	1,53	7,5	2,7	2,9	0,0005	26	12	11	60	3435	75,6	78,5	80,0	0,63	0,76	0,83	1,20
0,75	1	71	2,09	7,6	3,8	3,5	0,0005	31	14	12	60	3430	78,3	81,0	82,5	0,61	0,74	0,82	1,60
1,1	1,5	80	3,04	9,1	4,2	4,1	0,0010	35	16	16	62	3460	81,2	83,7	85,5	0,60	0,72	0,80	2,32
1,5	2	L80	4,15	9,2	4,5	4,2	0,0012	35	16	18	62	3455	83,3	85,1	86,5	0,62	0,75	0,82	3,05
2,2	3	L90L	6,01	10,3	4,5	4,5	0,0028	31	14	25	68	3495	85,7	87,7	88,5	0,64	0,76	0,82	4,38
3	4	100L	8,14	10,7	3,1	4,5	0,0070	22	10	33	71	3520	87,0	89,0	89,5	0,70	0,81	0,86	5,62
3,7	5	100L	10,10	10,3	3,2	4,4	0,0064	18	8	32	71	3510	86,9	88,9	89,5	0,67	0,79	0,85	7,02
4,5	6	112M	12,20	9,7	3,1	4,1	0,0094	24	11	42	66	3515	85,6	87,9	89,5	0,64	0,76	0,83	8,75
5,5	7,5	112M	15,00	9,8	3,3	4,3	0,0094	26	12	45	66	3510	86,5	88,7	90,2	0,64	0,76	0,83	10,60
7,5	10	132S	20,20	9,3	2,7	3,8	0,0249	44	20	72	68	3540	88,3	90,2	91,7	0,71	0,81	0,86	13,80
9,2	12,5	132M	24,80	9,8	2,9	3,8	0,0286	26	12	76	68	3540	88,3	90,2	91,7	0,71	0,81	0,86	16,80
11	15	132M	29,70	9,7	3,2	3,8	0,0303	33	15	80	68	3540	89,0	90,7	92,4	0,70	0,81	0,85	20,20
15	20	160M	40,30	10,2	3,4	4,3	0,0661	15	7	125	72	3560	90,2	91,6	92,4	0,66	0,78	0,83	28,30
18,5	25	160M	49,90	8,3	2,8	3,3	0,0698	26	12	135	72	3540	92,0	92,7	93,0	0,77	0,85	0,88	32,70
22	30	160L	59,20	10,1	3,4	3,9	0,0813	20	9	145	72	3550	92,2	93,0	93,0	0,75	0,84	0,87	39,30
30	40	200M	80,30	8,3	3,1	3,3	0,1945	31	14	230	76	3570	91,8	93,0	93,6	0,69	0,79	0,84	55,10
37	50	200L	98,90	9,9	3,5	3,9	0,2214	22	10	245	76	3575	91,8	93,2	94,1	0,64	0,75	0,81	70,10
45	60	225S/M	120,00	9,3	2,8	3,3	0,2991	42	19	370	79	3570	92,5	93,8	94,5	0,76	0,84	0,87	79,00
55	75	225S/M	147,00	9,3	2,9	3,3	0,3627	35	16	405	79	3570	93,2	94,2	94,5	0,77	0,85	0,88	95,50
75	100	280S/M	200,00	8,4	2,0	2,5	0,9776	84	38	647	81	3575	93,6	94,7	95,0	0,81	0,87	0,88	130,00
90	125	280S/M	241,00	8,5	1,9	2,3	1,0665	62	28	671	81	3570	94,1	95,0	95,4	0,83	0,88	0,89	153,00
110	150	280S/M	294,00	8,5	2,2	2,6	1,1621	53	24	694	81	3575	94,4	95,2	95,4	0,83	0,88	0,89	187,00
132	175	315S/M	353,00	8,4	2,0	2,7	1,8141	70	32	921	81	3577	94,9	95,8	95,8	0,81	0,86	0,88	226,00
150	200	315S/M	401,00	8,6	1,9	2,4	2,3314	66	30	1025	81	3575	95,6	95,8	95,8	0,85	0,89	0,90	251,00
185	250	315S/M	494,00	8,7	2,6	2,8	2,9778	64	29	1151	81	3579	96,0	96,2	96,2	0,83	0,88	0,90	308,00
200	270	315L	534,00	8,7	2,8	2,7	3,9456	90	41	1396	82	3581	94,8	95,9	96,2	0,85	0,89	0,90	333,00
220	300	315L	587,00	8,7	2,6	2,6	3,6292	70	32	1341	82	3579	95,0	95,9	96,2	0,84	0,89	0,90	366,00
250	340	315L	667,00	8,6	3,2	3,1	3,9456	64	29	1399	82	3583	95,0	96,0	96,2	0,81	0,87	0,89	421,00
260	350	315L	694,00	8,1	3,0	3,0	4,0736	62	28	1428	82	3582	95,1	96,1	96,2	0,81	0,88	0,89	438,00
300	400	355M/L	800,00	8,8	2,7	2,0	6,0053	88	40	1817	84	3585	95,5	96,2	96,2	0,87	0,90	0,91	495,00
330	450	355M/L	880,00	8,8	2,5	1,6	6,0053	64	29	1817	84	3583	95,7	96,2	96,2	0,88	0,91	0,91	545,00
370	500	355M/L	985,00	9,5	3,3	3,6	6,0053	53	24	1819	84	3588	95,8	96,2	96,2	0,81	0,86	0,88	630,00
IV Poles																			
0,12	0,16	63	0,67	10,4	2,4	2,7	0,0005	26	12	8	48	1705	58,9	65,1	70,0	0,47	0,58	0,68	0,36
0,18	0,25	63	1,02	8,0	2,1	2,2	0,0006	40	18	8,5	48	1680	66,5	70,3	74,0	0,50	0,63	0,72	0,49
0,25	0,33	71	1,40	6,1	2,7	3,0	0,0007	77	35	11	47	1710	70,7	74,8	77,0	0,42	0,54	0,63	0,74
0,37	0,5	71	2,07	5,9	3,5	3,5	0,0009	141	64	12	47	1710	76,4	79,5	81,5	0,42	0,54	0,64	1,03
0,55	0,75	80	3,03	8,5	3,5	3,4	0,0030	48	22	16	48	1735	79,3	82,0	84,0	0,54	0,68	0,77	1,23
0,75	1	90S	4,06	8,9	2,9	4,1	0,0055	33	15	21	51	1765	80,1	83,7	85,5	0,47	0,60	0,70	1,80
1,1	1,5	L90S	5,99	8,5	2,8	3,4	0,0060	40	18	23	51	1755	84,7	86,6	87,5	0,58	0,70	0,78	2,32
1,5	2	100L	8,19	9,4	3,4	3,5	0,0082	44	20	31	54	1750	85,6	87,4	88,5	0,56	0,69	0,76	3,22
2,2	3	112M	11,90	8,8	2,4	3,6	0,0182	86	39	45	56	1765	88,0	89,8	91,0	0,57	0,70	0,77	4,53
3	4	132S	16,10	8,3	2,5	3,3	0,0453	68	31	64	58	1775	88,7	90,2	91,0	0,61	0,73	0,79	6,03
3,7	5	132S	19,90	9,1	2,9	3,6	0,0528	44	20	68	58	1778	88,3	90,1	91,0	0,57	0,70	0,77	7,62
4,5	6	132S	24,30	7,6	2,3	2,8	0,0528	53	24	69	58	1770	89,7	90,7	91,0	0,65	0,76	0,82	8,70
5,5	7,5	132S	29,70	10,3	2,5	4,1	0,0526	35	16	70	58	1770	90,6	91,8	92,4	0,61	0,73	0,80	10,70
7,5	10	L132S	40,50	10,5	2,6	3,9	0,0601	24	11	75	58	1770	91,0	92,0	92,4	0,62	0,75	0,81	14,40
9,2	12,5	132M/L	49,80	10,6	2,7	3,9	0,0657	20	9	78	58	1765	91,1	92,1	92,4	0,63	0,75	0,82	17,50
11	15	160M	59,10	8,9	3,1	3,3	0,1467	53	24	135	64	1779	92,2	93,3	93,6	0,64	0,76	0,82	20,70
15	20	180M	80,50	8,8	3,1	3,3	0,1740	57	26	170	63	1781	92,4	93,6	94,1	0,65	0,75	0,82	28,10
18,5	25	180M	99,30	9,5	3,6	3,9	0,2161	42	19	190	63	1780	92,8	93,9	94,5	0,59	0,72	0,79	35,80
22	30	180L	118,00	9,7	3,6	4,0	0,2248	33	15	195	63	1779	92,8	93,9	94,5	0,59	0,72	0,79	42,60
30	40	200M	161,00	8,7	3,1	3,3	0,3588	44	20	255	66	1782	93,7	94,6	95,0	0,62	0,74	0,80	57,00
37	50	225S/M	198,00	9,9	3,2	3,5	0,6389	51	23	385	67	1785	94,1	95,0	95,4	0,67	0,78	0,83	67,40
45	60	225S/M	241,00	9,2	3,2	3,4	0,6367	37	17	385	67	1783	94,2	95,0	95,4	0,66	0,77	0,82	83,10
55	75	250S/M	294,00	9,7	3,4	3,5	1,0085	37	17	475	68	1786	94,5	95,3	95,8	0,65	0,77	0,82	101,00
75	100	280S/M	401,00	8,1	2,1	2,5	2,3912	106	48	745	73	1787	95,3	95,9	96,2	0,73	0,81	0,84	134,00
90	125	280S/M	481,00	8,2	2,2	2,4	2,7909	90	41	804	73	1787	95,6	96,0	96,2	0,77	0,83	0,85	158,00
110	150	280S/M	589,00	8,1	2,2	2,4	2,5327	53	24	768	73	1785	95,6	96,0	96,2	0,72	0,81	0,84	197,00
132	175	315S/M	705,00	8,2	2,3	2,4	2,8735	64	29	939	75	1789	95,8	96,3	96,5	0,74	0,82	0,85	232,00
150	200	315S/M	801,00	8,2	2,5	2,4	3,0873	51	23	967	75	1789	95,9	96,4	96,5	0,73	0,82	0,85	264,00
160	220	315S/M	855,00	8,3	2,6	2,6	3,7489	51	23	1052	75	1789	96,3	96,5	96,5	0,74	0,84	0,86	278,00
185	250	315S/M	988,00	8,4	2,7	2,5	4,2191	48	22	1108	75	1789	96,2	96,5	96,5	0,78	0,85	0,87	318,00

W22 - Super Premium Efficiency - IE4 (60Hz)

Output		Frame	Full Load Torque (Nm)	Locked Rotor Current I/In	Locked Rotor Torque Tl/Tn	Break-down Torque Tb/Tn	Inertia J (kgm ²)	Allowable locked rotor time (s)		Weight (kg)	Sound dB(A)	Rated speed (rpm)	400V						Full load current In (A)
								Hot	Cold				% of full load			Power Factor			
													50	75	100	50	75	100	
VI Poles																			
0,12	0,16	71	1,01	5,6	2,2	2,3	0,0008	163	74	11	47	1140	57,0	62,5	68,0	0,31	0,40	0,48	0,53
0,18	0,25	80	1,49	8,6	2,1	2,8	0,0026	33	15	14	47	1155	64,6	69,6	72,0	0,47	0,59	0,68	0,53
0,25	0,33	80	2,10	6,0	2,2	2,5	0,0025	59	27	15	47	1140	70,4	73,5	75,5	0,47	0,60	0,69	0,69
0,37	0,5	L80	3,09	5,6	2,7	2,9	0,0034	77	35	16	47	1145	72,7	75,9	78,5	0,44	0,57	0,67	1,02
0,55	0,75	90S	4,53	6,5	2,8	3,2	0,0052	84	38	21	50	1160	78,2	81,0	82,5	0,43	0,56	0,65	1,49
0,75	1	L90L	6,23	5,8	2,1	2,3	0,0077	117	53	25	50	1150	82,4	83,6	84,0	0,55	0,68	0,75	1,72
1,1	1,5	112M	8,98	7,1	2,2	3,0	0,0293	200	91	48	52	1170	84,7	87,2	88,5	0,46	0,59	0,67	2,67
1,5	2	132S	12,10	8,5	2,3	3,6	0,0530	249	113	69	55	1183	85,2	87,8	89,5	0,42	0,54	0,63	3,84
2,2	3	132M	17,80	7,8	2,0	3,1	0,0643	251	114	77	55	1180	87,0	88,9	90,2	0,46	0,58	0,67	5,26
3	4	132S	24,40	7,8	2,4	3,1	0,0566	143	65	72	55	1176	87,7	89,2	90,2	0,47	0,59	0,68	7,06
3,7	5	L132S	30,00	8,5	2,9	3,4	0,0643	103	47	77	55	1177	87,7	89,3	90,2	0,47	0,59	0,67	8,83
4,5	6	132M	36,60	8,1	2,7	3,1	0,0681	95	43	79	55	1175	88,3	89,6	90,2	0,50	0,63	0,70	10,30
5,5	7,5	160M	44,40	8,2	3,0	3,6	0,1580	73	33	125	59	1183	90,3	91,7	91,7	0,53	0,67	0,75	11,60
7,5	10	160M	60,50	8,5	3,5	4,2	0,1839	51	23	135	59	1184	90,0	91,7	92,4	0,49	0,63	0,72	16,30
9,2	12,5	160M	74,60	7,5	2,8	3,2	0,1668	48	22	130	59	1179	90,6	91,8	92,4	0,56	0,69	0,77	18,70
11	15	160L	89,00	7,8	3,0	3,3	0,2195	48	22	150	59	1181	91,2	92,3	93,0	0,57	0,70	0,77	22,20
15	20	180M	121,00	10,2	3,1	4,0	0,2565	18	8	165	59	1180	91,4	92,4	93,0	0,59	0,73	0,80	29,20
18,5	25	200L	149,00	7,3	2,4	2,9	0,4563	66	30	250	62	1185	92,8	93,7	94,1	0,61	0,73	0,79	36,00
22	30	200L	178,00	7,2	2,5	3,0	0,4722	55	25	255	62	1184	92,6	93,6	94,1	0,57	0,70	0,77	43,80
30	40	225S/M	241,00	9,9	3,2	3,4	1,0211	55	25	405	66	1189	93,5	94,5	95,0	0,61	0,73	0,80	57,00
37	50	225S/M	298,00	9,3	3,2	3,2	1,0211	44	20	405	66	1188	93,8	94,6	95,0	0,63	0,75	0,81	69,40
45	60	250S/M	362,00	9,9	3,7	3,5	1,6466	53	24	510	68	1189	94,1	94,9	95,4	0,61	0,73	0,80	85,10
55	75	280S/M	442,00	8,3	2,5	3,1	2,5773	59	27	636	69	1190	94,3	95,0	95,4	0,61	0,73	0,79	105,00
75	100	280S/M	603,00	7,9	2,4	2,8	4,2581	70	32	812	69	1189	95,3	95,7	95,8	0,67	0,77	0,82	138,00
90	125	280S/M	724,00	7,9	2,4	2,7	4,1461	53	24	803	69	1188	95,4	95,7	95,8	0,67	0,77	0,82	165,00
110	150	315S/M	882,00	7,8	2,3	2,7	5,9794	75	34	1020	70	1192	95,5	96,0	96,2	0,66	0,76	0,81	204,00
132	175	315S/M	1058,00	7,8	2,2	2,5	6,1606	57	26	1036	70	1192	95,6	96,0	96,2	0,67	0,77	0,81	244,00
150	200	315L	1203,00	8,0	2,3	2,5	8,3180	66	30	1265	71	1191	95,2	95,8	96,2	0,70	0,79	0,83	272,00
160	220	315L	1284,00	8,0	2,4	2,5	8,3180	59	27	1266	71	1191	95,1	95,8	96,2	0,69	0,79	0,83	289,00
185	250	355M/L	1480,00	7,6	1,9	2,3	9,2623	95	43	1491	77	1194	94,6	95,6	96,2	0,65	0,75	0,79	351,00
200	270	355M/L	1603,00	7,8	1,6	2,0	9,9570	77	35	1546	77	1192	95,0	95,7	96,2	0,70	0,79	0,81	371,00
220	300	355M/L	1762,00	7,7	1,9	2,2	11,7868	101	46	1699	77	1193	95,0	95,9	96,5	0,66	0,76	0,80	411,00
260	350	355M/L	2081,00	7,5	2,2	2,5	13,4046	95	43	1819	77	1194	94,8	95,8	96,5	0,62	0,73	0,78	498,00
300	400	355M/L	2401,00	7,6	2,1	2,3	14,5602	77	35	1911	77	1194	95,0	95,9	96,5	0,64	0,74	0,79	568,00
330	450	355M/L	2643,00	7,7	1,9	2,1	14,5602	57	26	1911	77	1193	95,2	96,0	96,5	0,67	0,76	0,80	617,00
370	500	355M/L	2963,00	7,6	2,0	2,1	15,0224	55	25	1953	77	1193	95,1	95,9	96,5	0,65	0,75	0,79	701,00
VIII Poles																			
0,12	0,16	80	1,34	3,9	2,2	2,2	0,0027	180	82	15	46	855	51,0	58,0	64,0	0,36	0,46	0,55	0,49
0,18	0,25	80	2,01	4,9	2,1	2,3	0,0029	97	44	15	46	855	57,3	63,1	68,0	0,38	0,49	0,58	0,66
0,25	0,33	90S	2,75	3,9	1,5	2,5	0,0052	154	70	21	48	870	65,2	69,6	72,0	0,35	0,46	0,55	0,91
0,37	0,5	L90S	4,09	4,3	2,0	2,7	0,0055	152	69	22	48	865	69,9	73,5	75,5	0,34	0,44	0,53	1,33
0,55	0,75	90L	6,11	4,2	1,8	2,2	0,0069	141	64	24	48	860	74,8	76,7	77,0	0,38	0,50	0,59	1,75
0,75	1	100L	8,19	4,9	2,1	2,7	0,0154	95	43	33	54	875	72,6	77,4	78,5	0,34	0,45	0,54	2,55
1,1	1,5	100L	12,20	4,7	1,9	2,2	0,0143	125	57	33	54	860	79,1	81,5	81,5	0,40	0,52	0,61	3,19
1,5	2	132M	16,40	7,3	2,2	3,0	0,0592	103	47	64	52	875	82,3	84,5	85,5	0,44	0,57	0,66	3,84
2,2	3	132M/L	24,00	7,5	2,0	2,9	0,1036	130	59	86	52	875	84,7	86,4	87,5	0,45	0,58	0,67	5,41
3	4	160M	32,20	6,5	3,4	3,8	0,1668	141	64	125	54	889	84,4	87,6	88,5	0,35	0,47	0,57	8,58
3,7	5	160M	40,00	5,1	2,1	2,4	0,1756	180	82	130	54	883	88,0	88,5	88,5	0,49	0,60	0,69	8,75
4,5	6	160M	48,70	5,6	2,4	2,8	0,1317	81	37	115	54	883	86,0	88,2	88,5	0,43	0,56	0,65	11,30
5,5	7,5	160M	60,10	4,4	1,6	2,0	0,1756	121	55	130	54	875	88,5	88,5	88,5	0,55	0,67	0,73	12,30
7,5	10	160L	81,20	5,9	2,5	2,9	0,2282	88	40	150	54	883	87,9	89,8	91,0	0,44	0,57	0,66	18,00
9,2	12,5	180M	99,70	8,0	2,4	3,0	0,2308	33	15	155	54	882	89,1	90,3	91,0	0,56	0,69	0,76	19,30
11	15	180L	119,00	9,0	3,0	3,5	0,2851	24	11	170	54	884	88,5	90,1	91,0	0,51	0,65	0,73	23,90
15	20	180L	163,00	7,9	2,7	3,1	0,3666	29	13	195	54	881	89,8	90,9	91,7	0,59	0,70	0,77	30,70
18,5	25	200L	200,00	5,0	1,8	2,1	0,4396	64	29	240	56	884	90,5	91,3	91,7	0,52	0,64	0,71	41,00
22	30	225S/M	237,00	7,4	2,0	2,8	0,6860	57	26	340	60	886	92,3	92,9	93,0	0,61	0,73	0,78	43,80
30	40	225S/M	323,00	8,0	2,3	3,2	0,8232	40	18	370	60	887	92,1	92,8	93,0	0,57	0,70	0,76	61,30
37	50	280S/M	397,00	7,7	1,7	2,3	2,0310	55	25	571	63	891	92,6	93,6	93,6	0,58	0,69	0,75	76,10
45	60	280S/M	483,00	7,6	1,7	2,3	2,0310	42	19	573	63	890	92,5	93,3	93,6	0,57	0,68	0,74	93,70
55	75	280S/M	589,00	7,7	1,9	2,4	2,8208	55	25	656	63	892	93,2	94,0	94,5	0,57	0,68	0,74	113,00
75	100	280S/M	804,00	7,2	1,9	2,3	3,7234	48	22	748	63	891	93,6	94,3	94,5	0,60	0,71	0,76	151,00
90	125	315S/M	965,00	7,6	1,5	1,8	5,6630	51	23	988	66	891	95,0	95,0	95,0	0,68	0,77	0,80	171,00
110	150	315L	1180,00	7,6	1,7	2,1	7,8392	64	29	1217	71	891	94,4	95,0	95,0	0,67	0,76	0,80	209,00
132	175	315L	1414,00	7,5	2,0	2,4	9,2976	75	34	1332	71	892	94,4	95,3	95,4	0,64	0,74	0,79	253,00
150	200	355M/L	1607,00	7,8	1,1	1,9	11,6387	51	23	1439	75	892	94,8	95,4	95,4	0,72	0,79	0,82	277,00
185	250	355M/L	1982,00	5,0	1,0	1,6	15,9267	106	48	1689	75	892	95,1	95,4	95,4	0,74	0,81	0,82	341,00
220	300	355M/L	2354,00	7,7	1,4	2,2	17,1518	55	25	1763	75	893							

W22 - Premium Efficiency - IE3 (50Hz)

Output		Frame	Full Load Torque (Nm)	Locked Rotor Current I _L /I _n	Locked Rotor Torque T _L /T _n	Break-down Torque T _b /T _n	Inertia J (kgm ²)	Allowable locked rotor time (s)		Weight (kg)	Sound dB(A)	400 V-						Full load current I _n (A)	
								Hot	Cold			% of full load			Power Factor				
												50	75	100	50	75	100		
II Poles																			
0,12	0,16	63	0,40	5,4	3,5	3,8	0,0001	70	32	6,9	52	2875	58,0	60,8	64,5	0,50	0,61	0,69	0,39
0,18	0,25	63	0,60	5,4	3,0	3,2	0,0002	48	22	8	52	2855	61,0	65,9	65,9	0,50	0,61	0,71	0,56
0,25	0,33	63	0,85	5,5	2,6	2,7	0,0002	22	10	7,9	52	2820	63,0	68,0	69,7	0,54	0,68	0,77	0,67
0,37	0,5	71	1,24	5,8	2,3	2,5	0,0004	26	12	10,5	56	2840	69,5	73,8	73,8	0,60	0,74	0,83	0,87
0,55	0,75	71	1,86	5,8	2,4	2,6	0,0005	33	15	11	56	2825	75,0	76,0	77,8	0,67	0,79	0,86	1,19
0,75	1	80	2,51	7,5	3,2	3,2	0,0008	40	18	14,1	59	2860	80,0	82,0	81,0	0,60	0,73	0,81	1,65
1,1	1,5	80	3,71	6,8	3,8	3,3	0,0009	35	16	15	59	2835	81,5	82,7	82,7	0,60	0,73	0,80	2,40
1,5	2	90S	4,97	7,0	2,5	3,0	0,0020	22	10	21,5	62	2885	82,0	83,5	84,2	0,62	0,74	0,81	3,17
2,2	3	90L	7,29	7,5	3,5	3,6	0,0026	20	9	24,5	62	2885	83,0	85,9	85,9	0,62	0,73	0,80	4,62
3	4	100L	9,83	8,0	2,4	3,3	0,0064	20	9	35	67	2915	85,0	86,5	87,1	0,67	0,79	0,85	5,85
4	5,5	112M	13,10	7,7	2,5	3,5	0,0081	22	10	41	62	2910	87,0	88,4	88,4	0,65	0,77	0,83	7,87
5,5	7,5	132S	17,90	7,9	2,3	3,2	0,0180	26	12	62	63	2940	86,9	88,7	89,4	0,66	0,78	0,84	10,60
7,5	10	132S	24,40	8,5	2,8	3,3	0,0234	20	9	70	63	2935	88,5	89,8	90,2	0,68	0,80	0,85	14,10
9,2	12,5	132M	30,00	8,5	2,8	3,5	0,0303	29	13	84	63	2935	88,0	90,0	90,7	0,76	0,84	0,88	16,60
11	15	160M	35,50	8,5	3,1	3,8	0,0482	18	8	115	67	2960	89,0	91,0	91,2	0,65	0,76	0,83	21,00
15	20	160M	48,60	8,3	2,8	3,6	0,0551	18	8	120	67	2950	90,9	91,8	92,0	0,67	0,79	0,85	27,70
18,5	25	160L	59,80	8,5	3,1	3,7	0,0663	15	7	135	67	2955	91,5	92,3	92,4	0,69	0,80	0,85	34,00
22	30	180M	71,00	8,3	3,2	3,2	0,0968	20	9	170	67	2960	92,0	92,7	92,7	0,69	0,80	0,86	39,80
30	40	200L	96,50	7,8	3,3	3,2	0,1703	35	16	235	72	2970	92,2	93,2	93,3	0,69	0,80	0,85	54,60
37	50	200L	119,00	7,7	3,3	3,3	0,2368	22	10	250	72	2970	92,6	93,4	93,7	0,69	0,79	0,84	67,90
45	60	225S/M	145,00	8,3	2,9	3,7	0,2861	18	8	380	74	2970	92,0	93,0	94,0	0,72	0,82	0,86	80,30
55	75	250S/M	177,00	8,0	2,8	3,3	0,3736	20	9	460	74	2968	93,3	94,0	94,3	0,75	0,83	0,86	97,90
75	100	280S/M	241,00	7,4	2,0	3,1	0,9386	44	20	680	77	2978	92,5	94,0	94,7	0,75	0,83	0,86	133,00
90	125	280S/M	289,00	7,1	2,1	2,9	1,1173	59	27	710	77	2976	93,8	94,5	95,0	0,79	0,85	0,88	155,00
110	150	315S/M	353,00	7,5	1,9	2,8	1,6629	97	44	900	77	2978	94,3	95,3	95,4	0,78	0,85	0,87	191,00
132	175	315S/M	423,00	7,7	2,2	3,0	1,9553	77	35	950	77	2980	94,0	95,0	95,4	0,75	0,83	0,87	230,00
150	200	315S/M	481,00	7,8	2,3	3,0	2,1809	44	20	1050	77	2979	95,0	95,6	95,6	0,80	0,86	0,89	254,00
160	220	315S/M	513,00	7,5	2,2	2,9	2,2446	62	28	1080	77	2980	94,8	95,6	95,6	0,79	0,86	0,88	275,00
185	250	315S/M	594,00	7,6	2,3	3,1	2,4566	48	22	1110	77	2978	95,4	95,8	95,8	0,79	0,86	0,88	317,00
200	270	315L	641,00	7,6	2,2	2,4	2,6799	59	27	1200	78	2980	95,0	95,5	95,8	0,82	0,88	0,89	339,00
220	300	315L	705,00	8,5	2,4	3,1	3,1265	51	23	1320	78	2981	95,8	96,0	96,0	0,81	0,87	0,89	372,00
250	340	315L	802,00	7,5	2,4	2,5	3,5732	46	21	1350	78	2980	95,5	96,0	96,0	0,83	0,89	0,90	418,00
260	350	315L	832,00	8,1	2,6	2,5	3,5732	44	20	1370	78	2985	96,0	96,0	96,0	0,80	0,87	0,89	439,00
280	380	315L	897,00	7,5	2,5	2,8	4,1687	48	22	1550	78	2982	95,4	95,8	96,0	0,84	0,89	0,91	463,00
300	400	355M/L	960,00	8,0	2,3	2,9	5,5761	48	22	1850	80	2985	95,4	95,8	96,0	0,84	0,89	0,91	496,00
315	430	355M/L	1009,00	7,7	2,6	2,7	6,0051	51	23	1950	80	2983	95,5	96,0	96,0	0,87	0,90	0,91	520,00
330	450	355M/L	1058,00	7,7	2,3	2,5	6,0051	62	28	1950	80	2980	95,2	95,8	96,0	0,87	0,90	0,91	545,00
355	480	355M/L	1135,00	9,5	3,0	3,2	6,0051	31	14	1950	80	2988	95,3	95,6	95,8	0,82	0,88	0,90	594,00
370	500	355A/B	1184,00	7,9	2,5	2,8	6,7600	88	40	2046	83	2985	95,8	96,1	96,4	0,85	0,89	0,90	616,00
400	550	355A/B	1281,00	8,2	2,7	2,9	6,7600	68	31	2250	83	2984	95,8	96,2	96,4	0,85	0,89	0,91	658,00
450	610	355A/B	1442,00	7,5	2,8	2,7	7,4000	68	31	2400	83	2982	95,8	96,2	96,4	0,85	0,90	0,91	740,00
IV Poles																			
0,12	0,16	63	0,81	4,4	2,3	2,5	0,0004	114	52	5,2	44	1425	57,0	63,0	64,8	0,52	0,62	0,71	0,38
0,18	0,25	63	1,25	4,6	2,2	2,2	0,0006	66	30	7,2	44	1380	65,0	67,0	69,9	0,53	0,63	0,72	0,52
0,25	0,33	71	1,69	4,8	2,4	2,4	0,0009	66	30	8	43	1410	69,0	72,0	73,5	0,52	0,62	0,72	0,68
0,37	0,5	71	2,55	4,8	2,8	2,7	0,0008	66	30	9,5	43	1385	73,0	75,0	77,3	0,50	0,62	0,70	0,99
0,55	0,75	80	3,69	6,6	2,8	2,8	0,0027	53	24	12,5	44	1425	77,0	79,0	80,8	0,61	0,74	0,80	1,23
0,75	1	80	4,99	7,0	3,6	3,6	0,0032	40	18	14,5	44	1435	78,0	81,0	82,5	0,54	0,68	0,78	1,68
1,1	1,5	90S	7,27	6,6	2,3	2,7	0,0055	35	16	19,5	49	1445	83,0	84,1	84,1	0,59	0,72	0,79	2,39
1,5	2	90L	9,88	7,4	2,9	3,2	0,0066	24	11	23	49	1450	82,0	84,0	85,3	0,55	0,68	0,76	3,34
2,2	3	100L	14,60	7,8	3,5	3,4	0,0090	40	18	31,5	53	1435	86,5	87,0	87,0	0,59	0,72	0,79	4,62
3	4	L100L	19,90	7,8	3,9	3,2	0,0120	33	15	37,5	53	1440	87,0	88,0	88,0	0,60	0,73	0,80	6,15
4	5,5	112M	26,40	7,1	2,7	3,2	0,0180	33	15	44	56	1450	87,5	88,2	88,6	0,53	0,69	0,75	8,69
5,5	7,5	132S	36,00	8,3	2,3	3,1	0,0491	24	11	66	56	1460	89,0	89,6	89,7	0,66	0,76	0,82	10,80
7,5	10	132M	48,90	8,5	2,5	3,5	0,0563	20	9	74	56	1465	89,0	90,4	90,4	0,63	0,76	0,82	14,60
9,2	12,5	132M/L	60,00	8,6	2,8	3,5	0,0698	18	8	82	56	1465	89,0	90,5	91,0	0,64	0,76	0,82	17,80
11	15	160M	71,10	8,0	2,7	3,0	0,1191	29	13	113	61	1479	90,7	91,6	91,4	0,65	0,77	0,83	20,90
15	20	160L	97,20	7,0	2,7	3,0	0,1534	24	11	140	61	1475	92,0	92,5	92,3	0,66	0,77	0,83	28,30
18,5	25	180M	120,00	7,5	3,0	3,2	0,1740	18	8	191	61	1476	91,8	92,6	92,6	0,64	0,76	0,82	35,20
22	30	180L	142,00	7,7	3,3	3,4	0,2097	24	11	208	61	1478	92,3	93,0	93,2	0,66	0,77	0,83	41,00
30	40	200L	194,00	7,5	2,8	3,1	0,3202	20	9	228	63	1480	92,9	93,6	93,6	0,63	0,75	0,81	57,10
37	50	225S/M	238,00	7,7	2,8	3,3	0,5177	22	10	365	63	1485	93,0	93,9	93,9	0,65	0,76	0,82	69,40
45	60	225S/M	290,00	7,8	2,8	3,1	0,6733	18	8	400	63	1485	93,5	94,1	94,2	0,65	0,77	0,82	84,10
55	75	250S/M	355,00	7,7	2,7	3,0	1,0498	35	16	500	64	1482	94,3	94,6	94,6	0,69	0,80	0,85	98,70
75	100	280S/M	482,00	7,5	2,2	2,7	2,0877	44	20	630	69	1487	94,5	95,0	95,0	0,68	0,77	0,82	139,00
90	125	280S/M	578,00	7,3	2,5	2,9	2,1652	44	20	700	69	1488	94,0	95,0	95,2	0,65	0,76	0,81	168,00
110	150	315S/M	706,00	7,0	2,1	2,4	2,8933	62	28	950	71	1489	94,7	95,4	95,4	0,69	0,78	0,83	201,00
132	175	315S/M	846,00	7,5	2,5	2,6	3,7921	44	20	1010	71	1490	95,1	95,6	95,6</				

W22 - Premium Efficiency - IE3 (50Hz)

Output		Frame	Full Load Torque (Nm)	Locked Rotor Current I _L /I _n	Locked Rotor Torque T _L /T _n	Break-down Torque T _b /T _n	Inertia J (kgm ²)	Allowable locked rotor time (s)		Weight (kg)	Sound dB(A)	Rated speed (rpm)	400 V- % of full load						Full load current I _n (A)	
								Hot	Cold				Efficiency			Power Factor				
													50	75	100	50	75	100		
kW	HP																			
IV Poles																				
0,12	0,16	63	1,24	3,2	2,1	2,0	0,0007	130	59	7,7	43	925	50,0	55,0	57,7	0,40	0,50	0,59	0,51	
0,18	0,25	71	1,89	3,2	2,2	2,1	0,0009	66	30	11,5	43	910	56,0	62,0	63,9	0,38	0,48	0,57	0,71	
0,25	0,33	80	2,50	4,3	2,0	2,4	0,0029	55	25	12	43	955	63,6	68,5	68,8	0,47	0,60	0,69	0,76	
0,37	0,5	80	3,82	4,2	2,1	2,1	0,0025	55	25	12,5	43	925	66,0	69,5	73,5	0,51	0,65	0,75	0,97	
0,55	0,75	L80	5,56	5,2	3,0	3,1	0,0037	53	24	15,5	43	945	70,5	75,2	77,2	0,45	0,58	0,68	1,51	
0,75	1	L90S	7,54	5,2	2,5	2,6	0,0060	68	31	22	45	950	76,5	79,0	79,0	0,49	0,62	0,71	1,93	
1,1	1,5	L90L	11,10	5,5	2,7	2,7	0,0077	44	20	26	45	945	79,3	81,4	81,0	0,50	0,64	0,73	2,69	
1,5	2	100L	15,00	5,5	2,7	2,7	0,0143	68	31	32	44	955	81,5	82,5	82,5	0,49	0,62	0,71	3,70	
2,2	3	112M	21,90	6,5	2,7	2,7	0,0257	57	26	46	49	960	83,0	84,5	84,5	0,48	0,61	0,71	5,29	
3	4	132S	29,60	6,1	1,9	2,4	0,0416	88	40	65	53	970	85,0	85,6	85,6	0,53	0,66	0,73	6,93	
4	5,5	132M	39,40	6,5	2,1	2,5	0,0492	44	20	70	53	970	86,0	86,8	86,8	0,53	0,66	0,73	9,11	
5,5	7,5	132M/L	54,20	7,3	2,2	2,6	0,0755	33	15	78	53	970	86,5	87,9	88,0	0,50	0,64	0,70	12,90	
7,5	10	160M	73,90	6,0	2,0	2,4	0,1404	35	16	118	57	970	88,5	89,0	89,1	0,63	0,73	0,79	15,40	
9,2	12,5	160L	90,20	6,5	2,3	2,9	0,1756	40	18	135	57	975	90,0	90,6	90,0	0,64	0,75	0,81	18,20	
11	15	160L	107,00	7,1	2,8	3,0	0,1931	26	12	140	57	978	89,0	90,1	90,5	0,56	0,70	0,77	22,80	
15	20	180L	146,00	8,5	3,1	3,7	0,2970	18	8	185	56	980	90,0	91,2	91,2	0,61	0,73	0,80	29,70	
18,5	25	200L	180,00	6,3	2,4	2,6	0,3510	35	16	215	60	980	91,0	91,7	91,9	0,63	0,70	0,80	36,30	
22	30	200L	214,00	6,4	2,3	2,6	0,4212	37	17	225	60	980	91,0	92,0	92,2	0,60	0,73	0,79	43,60	
30	40	225S/M	291,00	7,0	2,3	2,6	0,8194	46	21	380	63	985	93,0	93,4	93,1	0,67	0,78	0,83	56,00	
37	50	250S/M	358,00	7,2	2,5	2,7	1,2403	33	15	430	64	987	93,3	93,5	93,5	0,65	0,77	0,81	70,50	
45	60	280S/M	435,00	6,6	2,1	2,5	2,3531	57	26	640	65	988	93,0	93,9	93,9	0,62	0,73	0,80	86,50	
55	75	280S/M	531,00	6,8	2,2	2,5	2,6892	40	18	665	65	989	93,5	94,2	94,3	0,62	0,74	0,79	107,00	
75	100	315S/M	723,00	6,3	2,0	2,5	4,3485	70	32	920	67	991	94,0	94,6	94,6	0,66	0,76	0,81	141,00	
90	125	315S/M	868,00	6,4	2,2	2,5	5,4245	64	29	990	67	991	94,5	95,1	95,1	0,64	0,75	0,80	171,00	
110	150	315S/M	1061,00	6,5	2,3	2,7	6,1478	53	24	1040	67	991	94,0	94,8	95,1	0,61	0,74	0,79	211,00	
132	175	315S/M	1271,00	7,5	2,6	2,9	7,2327	46	21	1100	67	992	94,5	95,0	95,4	0,60	0,72	0,78	256,00	
150	200	315L	1448,00	6,5	2,3	2,5	7,9559	55	25	1200	68	990	95,4	95,8	95,7	0,67	0,78	0,83	273,00	
160	220	315L	1544,00	7,1	2,5	2,8	6,8710	48	22	1230	68	990	95,6	95,6	95,8	0,67	0,77	0,82	294,00	
185	250	315L	1786,00	7,1	2,4	2,6	9,2221	44	20	1300	68	990	95,0	95,8	95,8	0,65	0,76	0,81	344,00	
200	270	355M/L	1924,00	5,8	1,9	2,1	10,4196	86	39	1620	73	993	94,3	95,3	95,8	0,66	0,76	0,80	377,00	
220	300	355M/L	2117,00	6,5	2,0	2,3	12,0174	79	36	1710	73	993	95,0	95,5	96,0	0,63	0,74	0,79	419,00	
250	340	355M/L	2406,00	6,0	2,1	2,2	13,8662	84	38	1830	73	993	94,5	95,5	95,8	0,64	0,75	0,79	477,00	
280	380	355M/L	2694,00	6,4	2,3	2,5	15,0217	53	24	1970	73	993	95,1	95,1	96,0	0,60	0,71	0,77	547,00	
300	400	355M/L	2887,00	6,3	2,1	2,4	14,9929	55	25	2150	73	993	95,0	96,0	96,0	0,61	0,73	0,79	571,00	
315	430	355M/L	3034,00	6,1	2,1	2,1	15,0224	55	25	2150	73	992	95,2	95,8	95,8	0,66	0,76	0,80	593,00	
355	480	355A/B	3419,00	6,2	2,0	2,3	17,1000	64	29	2400	73	992	95,3	95,7	95,8	0,63	0,74	0,79	677,00	
370	500	355A/B	3571,00	6,0	2,2	2,3	18,0000	55	25	2500	73	990	95,4	95,8	95,9	0,63	0,74	0,79	705,00	
400	550	355A/B	3853,00	6,1	2,0	2,3	18,9200	64	29	2620	73	992	95,4	95,8	95,9	0,63	0,74	0,79	762,00	
VIII Poles																				
0,12	0,16	71	1,76	2,4	1,8	1,9	0,0009	66	30	11,5	41	650	44,0	50,0	52,5	0,35	0,43	0,50	0,66	
0,18	0,25	80	2,46	3,2	2,0	2,0	0,0029	183	83	13,5	42	700	51,0	57,0	58,7	0,44	0,54	0,64	0,69	
0,25	0,33	80	3,44	3,5	2,0	2,2	0,0034	66	30	14,5	42	695	53,0	60,0	64,1	0,42	0,52	0,63	0,89	
0,37	0,5	90S	4,98	4,0	2,0	2,2	0,0055	156	71	19	44	710	61,0	66,0	69,3	0,41	0,53	0,62	1,24	
0,55	0,75	90L	7,56	3,8	1,9	2,2	0,0066	64	29	23	44	695	65,0	70,0	73,0	0,44	0,57	0,67	1,62	
0,75	1	100L	10,10	4,3	1,8	2,1	0,0127	66	30	30,5	50	710	72,5	75,5	75,5	0,41	0,53	0,62	2,31	
1,1	1,5	100L	14,80	4,6	1,9	2,0	0,0143	66	30	33	50	710	73,0	76,0	77,7	0,41	0,53	0,62	3,30	
1,5	2	112M	20,30	5,0	2,5	2,8	0,0238	62	28	43	46	705	79,0	79,5	79,9	0,45	0,59	0,68	3,98	
2,2	3	132S	29,60	6,5	2,3	2,8	0,0690	59	27	69	48	710	81,5	82,0	82,1	0,51	0,65	0,72	5,37	
3	4	132M	40,10	6,5	2,4	2,6	0,0838	46	21	75	48	715	82,5	83,5	83,5	0,51	0,64	0,72	7,20	
4	5,5	160M	52,40	5,0	2,1	2,3	0,1229	73	33	114	51	730	83,0	84,8	84,8	0,47	0,61	0,68	10,00	
5,5	7,5	160M	72,50	5,0	2,1	2,3	0,1492	59	27	123	51	725	85,0	86,2	86,2	0,52	0,64	0,70	13,20	
7,5	10	160L	98,30	5,5	2,4	2,6	0,2199	53	24	145	51	729	85,4	87,0	87,3	0,46	0,59	0,68	18,20	
9,2	12,5	180M	120,00	7,0	2,4	2,6	0,2575	26	12	173	52	730	87,0	88,1	88,1	0,58	0,71	0,78	19,30	
11	15	180L	144,00	6,5	2,3	2,7	0,2846	29	13	185	52	730	88,6	88,6	88,6	0,55	0,68	0,76	23,60	
15	20	200L	196,00	4,9	2,0	2,0	0,4571	70	32	220	56	730	88,5	89,9	90,0	0,56	0,67	0,73	33,00	
18,5	25	225S/M	240,00	6,5	2,0	2,4	0,8219	24	11	377	56	735	89,8	90,3	90,3	0,57	0,69	0,76	38,90	
22	30	225S/M	286,00	7,0	2,1	2,4	0,9574	33	15	402	56	735	90,3	90,8	90,8	0,61	0,73	0,79	44,30	
30	40	250S/M	391,00	7,4	2,1	2,8	1,4281	29	13	490	56	733	91,0	91,5	91,5	0,65	0,76	0,81	58,40	
37	50	280S/M	478,00	5,5	1,8	2,3	2,8206	70	32	673	59	740	91,5	92,0	92,0	0,60	0,71	0,77	75,40	
45	60	280S/M	581,00	5,8	1,8	2,1	3,4896	66	30	720	59	740	92,2	92,4	92,4	0,60	0,71	0,77	91,30	
55	75	315S/M	708,00	6,0	1,7	2,2	5,1147	44	20	960	62	742	92,2	92,7	92,5	0,65	0,75	0,79	109,00	
75	100	315S/M	968,00	6,0	1,8	2,2	6,5627	88	40	1025	62	740	92,8	93,3	93,3	0,65	0,75	0,80	145,00	
90	125	315S/M	1159,00	6,5	2,1	2,3	7,8388	66	30	1100	62	742	93,1	93,6	93,6	0,65	0,75	0,79	176,00	
110	150	315L	1418,00	6,0	1,9	2,2	9,4602	77	35	1367	68	741	93,4	93,9	93,9	0,64	0,74	0,79	214,00	
132	175	355M/L	1700,00	6,5	1,2	2,1	12,5576	79	36	1587	70	742	93,7	94,2	94,2	0,64	0,74	0,79	256,00	
150	200	355M/L	1926,00	6,5	1,7	2,5	13,1702	73	33	1540	70	744	94,0	94,2	94,2	0,62	0,73	0,78	295,00	
160	220	355M/L	2055,00	6,4	1,4	2,3	17,3949	66	30	1747	70	744	94,0	94,5	94,5	0,64	0,75	0,79	309,00	
185	250	355M/L	2373,00	6,9	2,0	2,7	18,5266													

W22 - Premium Efficiency - IE3 (60Hz)

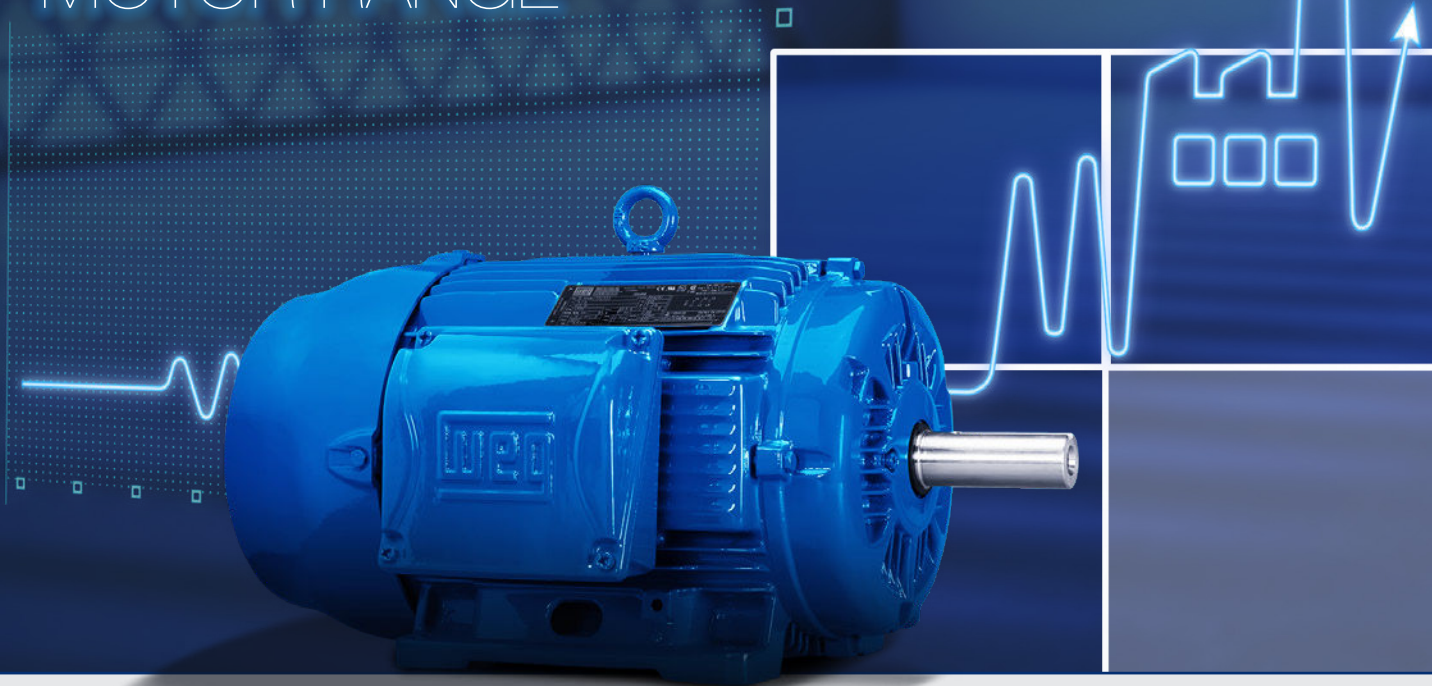
Output		Frame	Full Load Torque (Nm)	Locked Rotor Current II/In	Locked Rotor Torque TI/Tn	Break-down Torque Tb/Tn	Inertia J (kgm²)	Allowable locked rotor time (s)		Weight (kg)	Sound dB(A)	400 V						Full load current In (A)	
								Hot	Cold			% of full load			Power Factor				
												50	75	100	50	75	100		
kW	HP	Rated speed (rpm)																	
II Poles																			
0,12	0,16	63	0,34	6,3	3,3	3,2	0,0001	66	30	5,7	56	3410	54,0	61,0	64,5	0,53	0,65	0,74	0,36
0,18	0,25	63	0,50	5,8	3,0	3,0	0,0001	42	19	6,2	56	3420	61,0	66,0	68,0	0,57	0,69	0,78	0,49
0,25	0,33	63	0,70	5,9	3,1	3,2	0,0002	44	20	6,7	56	3410	64,0	69,0	70,0	0,58	0,71	0,80	0,64
0,37	0,5	63	1,05	5,8	2,5	2,5	0,0002	37	17	7,7	56	3360	69,0	73,0	73,4	0,62	0,75	0,83	0,88
0,55	0,75	71	1,53	6,3	2,4	2,8	0,0004	40	18	7,5	60	3440	72,5	75,5	76,8	0,63	0,76	0,83	1,24
0,75	1	71	2,09	6,6	3,0	3,3	0,0005	22	10	9	60	3435	77,0	80,0	80,5	0,64	0,76	0,84	1,61
1,1	1,5	80	3,05	7,8	3,5	3,3	0,0009	42	19	14	62	3445	81,5	83,6	84,0	0,64	0,76	0,83	2,28
1,5	2	L80	4,15	7,8	3,8	3,6	0,0010	26	12	16	62	3455	82,0	84,2	85,5	0,64	0,75	0,82	3,09
2,2	3	L90S	6,06	7,8	3,4	3,1	0,0023	31	14	22	68	3470	86,0	86,5	86,5	0,69	0,80	0,85	4,32
2,2	3	L90L	6,06	7,8	3,4	3,1	0,0023	31	14	22	68	3470	86,0	86,5	86,5	0,69	0,80	0,85	4,32
3	4	L90L	8,24	8,5	4,3	4,4	0,0028	29	13	23	68	3480	87,0	88,0	88,5	0,62	0,75	0,82	5,96
3,7	5	100L	10,10	8,2	2,7	3,9	0,0064	18	8	32	71	3510	86,4	88,3	88,5	0,69	0,80	0,86	7,02
4,5	6	112M	12,30	7,5	2,5	3,1	0,0080	26	12	40	66	3500	87,7	89,0	89,4	0,74	0,84	0,88	8,26
5,5	7,5	112M	15,00	8,3	2,8	3,5	0,0095	20	9	43	69	3500	87,9	89,4	89,7	0,72	0,82	0,87	10,20
7,5	10	132S	20,30	8,1	2,4	3,3	0,0216	22	10	67	68	3535	87,5	89,0	90,2	0,71	0,81	0,86	14,00
9,2	12,5	132M	24,90	8,1	2,5	3,4	0,0269	22	10	74	68	3535	89,5	90,6	91,0	0,76	0,85	0,89	16,40
11	15	132M	29,70	9,2	3,0	3,6	0,0305	15	7	78	68	3535	89,3	90,5	91,0	0,71	0,81	0,86	20,20
15	20	160M	40,40	7,6	2,7	3,2	0,0553	22	10	115	72	3545	90,0	90,8	91,0	0,74	0,83	0,87	27,40
18,5	25	160M	49,80	8,3	3,0	3,5	0,0626	18	8	119	72	3550	91,0	91,5	91,7	0,72	0,82	0,87	33,40
22	30	160L	59,20	9,0	3,4	4,0	0,0700	18	8	131	72	3550	91,0	91,5	91,7	0,70	0,80	0,86	40,30
30	40	200M	80,40	6,7	3,0	2,9	0,1703	31	14	219	76	3565	91,0	91,7	92,4	0,74	0,82	0,86	54,50
37	50	200L	99,30	7,6	2,8	2,8	0,2128	31	14	265	76	3560	91,9	92,4	93,0	0,73	0,82	0,86	66,80
45	60	225S/M	121,00	8,2	3,0	3,4	0,2991	20	9	393	79	3567	92,4	93,3	93,6	0,76	0,84	0,88	78,90
55	75	225S/M	147,00	8,5	2,8	3,2	0,3251	15	7	406	79	3568	93,0	94,0	94,1	0,78	0,86	0,88	95,90
75	100	250S/M	202,00	7,5	2,6	3,0	0,4366	22	10	477	79	3555	94,0	94,8	94,9	0,81	0,86	0,88	130,00
90	125	280S/M	241,00	7,7	2,0	3,0	1,0665	40	18	747	81	3575	93,3	94,9	95,3	0,78	0,86	0,88	155,00
110	150	280S/M	294,00	7,9	2,3	3,0	1,1553	40	18	716	81	3575	94,0	94,9	95,2	0,80	0,86	0,89	187,00
132	175	315S/M	352,00	7,5	2,2	2,8	1,7385	84	38	906	81	3580	93,6	95,2	95,4	0,80	0,86	0,89	224,00
150	200	315S/M	400,00	7,5	2,1	2,8	2,1057	48	22	975	81	3580	94,2	95,4	95,6	0,80	0,86	0,89	254,00
185	250	315S/M	494,00	7,5	2,1	2,7	2,4691	48	22	1053	81	3580	95,3	95,8	96,1	0,82	0,88	0,90	309,00
200	270	315L	534,00	7,2	2,4	2,8	3,4245	75	34	1200	82	3578	94,2	95,5	95,8	0,80	0,87	0,89	339,00
220	300	315L	587,00	7,8	2,7	3,0	3,7222	66	30	1320	82	3580	94,3	95,1	95,8	0,81	0,88	0,90	369,00
250	340	315L	668,00	7,0	2,7	2,7	4,1689	62	28	1350	82	3578	94,4	95,2	95,8	0,84	0,89	0,90	418,00
260	350	315L	694,00	7,0	2,7	2,7	4,1687	62	28	1370	82	3578	94,4	95,2	95,8	0,84	0,89	0,90	436,00
300	400	355M/L	799,00	8,4	2,9	2,9	5,3617	53	24	1743	84	3586	95,5	95,7	96,1	0,84	0,89	0,91	495,00
330	450	355M/L	880,00	8,4	2,5	2,5	6,0051	81	37	1860	84	3583	95,3	95,7	95,8	0,87	0,90	0,91	547,00
370	500	355M/L	986,00	9,5	3,3	3,6	6,0050	55	25	1825	84	3584	95,6	95,8	95,8	0,81	0,86	0,88	634,00
IV Poles																			
0,12	0,16	63	0,67	5,0	2,9	2,9	0,0005	106	48	6,7	48	1715	58,0	64,0	66,0	0,45	0,56	0,65	0,40
0,18	0,25	63	1,01	5,0	2,9	2,8	0,0006	86	39	7,7	48	1710	62,0	67,0	70,0	0,49	0,61	0,70	0,53
0,25	0,33	63	1,40	5,5	3,3	3,2	0,0007	66	30	8,2	48	1705	66,0	71,0	73,4	0,44	0,56	0,66	0,75
0,37	0,5	71	2,08	5,1	2,4	2,7	0,0007	97	44	8,5	47	1700	75,0	77,5	78,2	0,49	0,62	0,70	0,98
0,55	0,75	80	3,00	8,4	3,0	3,4	0,0024	31	14	14,7	48	1750	75,0	79,0	81,1	0,53	0,67	0,75	1,30
0,75	1	90S	4,06	7,8	2,4	3,5	0,0049	33	15	18,5	51	1765	79,0	83,0	84,0	0,51	0,63	0,72	1,79
1,1	1,5	L90S	5,99	7,6	2,7	3,2	0,0060	40	18	22	51	1755	82,5	85,5	86,5	0,60	0,72	0,79	2,32
1,5	2	L90S	8,19	7,7	2,7	3,2	0,0066	33	15	23	51	1750	84,0	86,0	86,5	0,59	0,72	0,80	3,12
2,2	3	100L	12,00	8,6	3,8	3,8	0,0097	55	25	33	54	1745	86,6	88,2	89,5	0,59	0,71	0,78	4,55
3	4	112M	16,30	7,8	2,6	3,3	0,0156	53	24	42	56	1755	87,2	89,0	89,5	0,58	0,70	0,77	6,28
3,7	5	112M	20,10	7,6	2,4	3,1	0,0181	51	23	44	56	1755	88,1	89,3	89,5	0,61	0,74	0,80	7,46
4,5	6	112M	24,50	7,3	2,7	3,5	0,0180	35	16	44	56	1755	87,5	89,1	89,5	0,51	0,65	0,74	9,81
5,5	7,5	132S	29,70	9,0	2,4	3,6	0,0488	35	16	67	58	1770	89,9	91,2	91,7	0,63	0,76	0,82	10,60
7,5	10	132S	40,60	8,5	2,3	3,4	0,0563	18	8	72	58	1765	90,8	91,5	91,7	0,60	0,78	0,84	14,10
9,2	12,5	132M/L	49,90	8,9	2,4	3,4	0,0676	20	9	86	58	1760	90,5	91,5	91,7	0,62	0,75	0,82	17,70
11	15	160M	59,00	8,0	3,2	3,3	0,1188	26	12	112	64	1780	90,6	92,4	92,4	0,63	0,75	0,81	21,20
15	20	160M	80,70	9,0	3,0	3,0	0,1471	42	19	133	64	1775	91,6	92,9	93,0	0,64	0,75	0,82	28,40
18,5	25	160L	99,60	8,9	3,0	3,2	0,1813	26	12	148	64	1775	92,0	93,0	93,6	0,64	0,75	0,81	35,20
22	30	180M	119,00	8,0	2,8	3,1	0,1919	35	16	176	63	1772	92,8	93,3	93,6	0,66	0,76	0,81	41,90
30	40	200M	161,00	7,3	2,8	2,8	0,3202	26	12	215	66	1782	93,5	94,0	94,1	0,68	0,78	0,84	54,80
37	50	200L	199,00	7,8	3,2	3,3	0,3728	31	14	243	66	1780	93,0	94,4	94,5	0,62	0,74	0,81	69,70
45	60	225S/M	241,00	7,5	2,7	3,0	0,6367	31	14	404	67	1781	93,0	94,7	95,0	0,70	0,80	0,84	81,40
55	75	225S/M	296,00	7,5	2,6	2,8	0,7346	46	21	430	67	1777	94,5	95,0	95,4	0,72	0,81	0,85	97,90
75	100	250S/M	402,00	8,5	3,3	3,4	1,0147	33	15	505	68	1783	94,6	95,2	95,4	0,68	0,78	0,84	135,00
90	125	280S/M	481,00	7,6	2,4	2,9	1,8652	35	16	683	73	1788	94,0	94,8	95,4	0,65	0,76	0,82	166,00
110	150	280S/M	588,00	7,9	2,4	2,7	2,3315	44	20	827	73	1786	94,8	95,5	95,8	0,75	0,83	0,86	193,00
132	175	315S/M	704,00	7,4	2,6	2,6	3,0045	53	24	958	75	1791	94,5	95,5	96,2	0,72	0,81	0,85	233,00
150	200	315S/M	800,00	7,8	2,6	2,7	3,5527	66	30	1029	75	1791	94,9	95,9	96,2	0,72	0,81	0,85	265,00
160	220	315S/M	854,00	7,6	2,6	2,8	3,7700	59	27	1030	75	1790	95,5	96,0	96,2	0,75	0,84	0,87	276,00
185	250	315S/M	988,00	7,6	2,8	2,8	3,8858	77	35	1072	75	1789	95,3	96,0	96,3	0,75	0,83	0,87	319,00
2																			

W22 - Premium Efficiency - IE3 (60Hz)

Output		Frame	Full Load Torque (Nm)	Locked Rotor Current I/In	Locked Rotor Torque Tl/Tn	Break-down Torque Tb/Tn	Inertia J (kgm²)	Allowable locked rotor time (s)		Weight (kg)	Sound dB(A)	400 V						Full load current In (A)	
								Hot	Cold			% of full load			Power Factor				
												Efficiency			Power Factor				
kW	HP										Rated speed (rpm)	50	75	100	50	75	100		
VI Poles																			
0,12	0,16	63	1,03	3,0	1,8	1,9	0,0007	88	40	8,2	47	1115	48,0	54,0	64,0	0,42	0,52	0,62	0,44
0,18	0,25	71	1,56	3,3	1,9	2,1	0,0007	152	69	8	47	1100	52,0	59,0	67,5	0,38	0,48	0,55	0,70
0,25	0,33	80	2,10	4,5	2,3	2,5	0,0024	66	30	12	47	1140	57,0	62,5	71,4	0,47	0,59	0,69	0,73
0,37	0,5	80	3,14	4,3	2,0	2,2	0,0025	59	27	12,5	47	1125	62,0	67,0	75,3	0,51	0,65	0,75	0,95
0,55	0,75	90S	4,53	6,0	2,7	3,1	0,0055	77	35	19	50	1160	78,0	81,5	81,7	0,45	0,58	0,67	1,45
0,75	1	L90S	6,18	6,2	2,8	3,1	0,0066	64	29	23	50	1160	78,5	81,5	82,5	0,48	0,59	0,68	1,93
1,1	1,5	L100L	9,02	6,6	2,9	3,2	0,0176	134	61	38	48	1165	82,5	85,5	87,5	0,46	0,59	0,65	2,79
1,5	2	112M	12,30	7,3	2,7	3,2	0,0257	106	48	42	52	1165	85,4	87,7	88,5	0,47	0,60	0,68	3,60
2,2	3	L112M	18,00	7,4	3,0	3,4	0,0293	73	33	47	52	1165	86,0	88,0	89,5	0,47	0,60	0,68	5,21
3	4	132S	24,40	7,2	2,1	2,8	0,0530	114	52	62	55	1175	87,5	89,0	89,5	0,52	0,64	0,72	6,72
3,7	5	132S	30,20	7,5	2,4	3,0	0,0568	88	40	63	55	1170	87,5	89,0	89,5	0,50	0,63	0,71	8,40
4,5	6	132M	36,60	7,4	2,7	2,9	0,0643	86	39	75	55	1175	87,5	89,0	89,5	0,51	0,64	0,70	10,40
5,5	7,5	132M	44,80	7,5	2,4	3,2	0,0679	68	31	80	55	1174	88,0	89,5	91,0	0,52	0,65	0,73	12,00
7,5	10	132M/L	61,50	7,3	2,4	2,8	0,0755	42	19	90	55	1165	88,0	89,5	91,0	0,52	0,65	0,73	16,30
9,2	12,5	160M	74,80	6,3	2,5	2,9	0,1489	57	26	122	59	1175	90,7	91,2	91,2	0,59	0,72	0,78	18,70
11	15	160M	89,50	7,0	2,7	2,9	0,1843	44	20	140	59	1175	90,7	91,8	91,8	0,62	0,74	0,80	21,70
15	20	180M	122,00	8,0	2,6	3,2	0,2560	26	12	174	59	1175	91,5	92,0	92,2	0,68	0,79	0,85	27,60
18,5	25	180L	150,00	8,5	2,8	3,3	0,3233	18	8	193	59	1175	92,5	93,0	93,1	0,68	0,79	0,84	34,10
22	30	200L	178,00	6,5	2,3	2,8	0,4204	55	25	232	62	1180	92,0	92,5	93,0	0,63	0,75	0,81	42,10
30	40	200L	243,00	6,7	2,5	2,8	0,4905	33	15	251	62	1180	93,0	93,6	94,1	0,61	0,73	0,79	58,30
37	50	225S/M	298,00	7,4	2,6	2,8	0,8876	29	13	398	66	1185	93,5	94,0	94,1	0,70	0,80	0,84	67,50
45	60	250S/M	363,00	7,6	2,5	2,7	1,1960	33	15	463	68	1186	94,0	94,5	94,5	0,70	0,79	0,84	81,80
55	75	250S/M	443,00	7,6	2,8	2,8	1,3781	24	11	491	68	1185	94,0	94,4	94,5	0,67	0,77	0,82	102,00
75	100	280S/M	603,00	7,1	2,2	2,6	2,9133	37	17	699	69	1189	93,2	94,2	95,0	0,60	0,72	0,78	146,00
90	125	280S/M	723,00	6,5	2,2	2,5	3,3538	35	16	678	69	1189	94,7	94,9	95,0	0,68	0,78	0,83	165,00
110	150	315S/M	883,00	6,6	2,1	2,5	5,9914	73	33	1028	70	1190	94,9	95,6	95,8	0,69	0,79	0,83	200,00
132	175	315S/M	1060,00	6,6	2,2	2,4	6,5360	48	22	1072	70	1190	95,0	95,7	95,8	0,69	0,79	0,83	240,00
150	200	315L	1204,00	7,3	2,3	2,4	9,4029	81	37	1365	71	1190	95,4	95,8	95,8	0,66	0,77	0,82	276,00
160	220	315L	1283,00	7,4	2,7	2,8	10,4878	88	40	1448	71	1192	95,4	95,8	95,8	0,64	0,76	0,81	298,00
185	250	355M/L	1483,00	6,0	1,8	2,1	9,2619	79	36	1528	77	1192	95,3	96,0	96,0	0,69	0,78	0,81	343,00
200	270	355M/L	1600,00	6,5	2,0	2,2	9,9756	75	34	1594	77	1194	95,3	96,0	96,0	0,68	0,78	0,82	366,00
220	300	355M/L	1761,00	6,5	2,0	2,3	10,6716	66	30	1642	77	1194	95,1	95,9	96,1	0,65	0,75	0,80	413,00
260	350	355M/L	2084,00	6,8	2,0	2,2	12,9915	128	58	1824	77	1192	95,0	96,0	96,2	0,69	0,78	0,82	475,00
300	400	355M/L	2403,00	7,0	2,2	2,3	15,0505	106	48	1982	77	1193	95,0	95,8	96,0	0,66	0,77	0,80	564,00
330	450	355M/L	2645,00	6,3	2,0	2,1	15,0217	57	26	1989	77	1192	95,5	95,7	96,0	0,67	0,77	0,80	620,00
370	500	355M/L	2966,00	6,3	2,2	2,3	15,0217	55	25	1989	77	1192	95,5	95,7	96,0	0,63	0,74	0,79	704,00
VIII Poles																			
0,12	0,16	71	1,39	2,8	1,8	2,0	0,0009	372	169	9,5	45	825	48,0	54,0	59,5	0,32	0,40	0,48	0,61
0,18	0,25	80	2,02	3,5	2,0	2,2	0,0027	114	52	12	46	850	51,0	57,0	64,0	0,42	0,53	0,62	0,66
0,25	0,33	80	2,86	3,6	1,9	2,2	0,0032	108	49	14,5	46	835	56,0	60,0	68,0	0,42	0,53	0,64	0,83
0,37	0,5	90S	4,21	3,4	1,7	2,3	0,0055	88	40	19,5	48	840	58,0	63,0	72,0	0,40	0,51	0,60	1,23
0,55	0,75	90L	6,26	3,7	1,9	2,3	0,0066	77	35	23	48	840	62,0	65,0	74,0	0,40	0,52	0,60	1,79
0,75	1	L90L	8,38	4,1	1,9	2,3	0,0077	55	25	25	48	855	66,0	71,0	75,5	0,40	0,51	0,60	2,39
1,1	1,5	100L	12,20	4,7	2,0	2,4	0,0143	106	48	33	54	865	75,5	79,0	81,4	0,40	0,52	0,60	3,26
1,5	2	112M	16,80	5,2	2,5	2,6	0,0257	79	36	42	50	855	80,4	82,8	84,0	0,45	0,57	0,66	3,91
2,2	3	132M	24,20	7,0	2,0	2,8	0,0838	101	46	75	52	870	84,0	86,0	86,5	0,51	0,64	0,72	5,10
3	4	132M	33,10	6,8	2,6	2,7	0,0986	73	33	86	52	865	84,5	86,0	86,6	0,51	0,64	0,72	6,94
3,7	5	132M/L	40,90	6,5	2,2	2,6	0,1033	64	29	90	52	865	85,0	86,5	86,5	0,51	0,64	0,72	8,58
4,5	6	160M	48,90	5,1	2,2	2,4	0,1317	81	37	117	54	880	86,5	88,0	88,0	0,48	0,61	0,69	10,70
5,5	7,5	160M	59,70	5,0	2,0	2,5	0,1756	79	36	134	54	880	85,0	87,5	88,4	0,51	0,63	0,71	12,60
7,5	10	160L	81,40	5,4	2,3	2,5	0,2019	70	32	148	54	880	89,0	89,5	90,0	0,50	0,63	0,70	17,20
9,2	12,5	180M	100,00	6,8	2,1	2,6	0,2434	33	15	169	54	879	90,5	91,0	90,0	0,60	0,72	0,78	18,90
11	15	180L	119,00	7,0	2,4	2,8	0,2846	31	14	185	54	880	89,5	89,8	90,0	0,60	0,72	0,78	22,70
15	20	180L	163,00	7,3	2,3	3,0	0,3246	22	10	196	61	880	90,8	91,4	91,5	0,60	0,72	0,79	29,90
18,5	25	200L	201,00	4,8	1,8	2,0	0,4396	55	25	231	56	880	91,0	91,5	91,5	0,57	0,69	0,75	38,90
22	30	225S/M	238,00	6,7	1,9	2,7	0,7203	26	12	367	60	885	91,0	91,7	91,7	0,60	0,71	0,79	43,80
30	40	225S/M	324,00	6,8	2,3	2,9	0,9604	31	14	400	60	885	91,5	91,6	91,7	0,63	0,74	0,79	59,70
37	50	250S/M	401,00	7,8	2,2	3,3	1,1960	26	12	463	60	882	92,0	92,3	92,4	0,60	0,71	0,78	74,10
45	60	250S/M	487,00	8,0	2,4	3,3	1,3340	24	11	485	60	883	92,1	92,3	92,4	0,64	0,74	0,80	87,90
55	75	280S/M	590,00	6,0	1,6	2,0	2,8206	51	23	682	63	890	94,1	94,4	94,3	0,65	0,76	0,80	105,00
75	100	280S/M	805,00	6,0	1,7	2,1	3,3848	44	20	815	63	890	94,2	94,4	94,4	0,65	0,74	0,79	145,00
90	125	315S/M	966,00	6,0	1,8	2,0	5,6627	57	26	1008	66	890	94,6	94,9	94,9	0,67	0,76	0,80	172,00
110	150	315L	1178,00	6,3	1,9	2,3	9,4606	117	53	1367	71	892	93,7	94,1	94,1	0,60	0,72	0,78	217,00
132	175	315L	1414,00	6,2	2,0	2,3	11,2799	123	56	1508	71	892	94,1	94,5	94,5	0,60	0,72	0,78	259,00
150	200	355M/L	1603,00	6,0	1,4	2,3	13,1695	86	39	1561	75	894	94,3	94,4	94,5	0,64	0,75	0,79	290,00
185	250	355M/L	1975,00	6,0	1,4	2,3	15,9259	114	52	1721	75	895	95,3	95,6	95,7	0,64	0,75	0,80	349,00
220	300	355M/L	2354,00																

W22 IE5

PRESENTING THE WORLD'S HIGHEST AND WIDEST EFFICIENCY LEVEL INDUCTION MOTOR RANGE



In the last two decades, global energy consumption has increased by 50% with forecast for that the next two decades will continue to see significant increases in this usage.

This increasing demand for electrical energy to sustain global development requires consistent heavy investments in power supply generation. However, in addition to complex medium and long term planning, these investments rely on natural resources, which are becoming depleted due to constant pressures upon the environment.

As a reflection of this scenario, electric energy costs are rising dramatically, and in comparison to other economic indicators, standing out negatively.

One of the main contributing factors to this increase in power consumption is in the industrial sector, which utilises around 30% of

the electrical energy globally available. And, in industrial applications, electric motor driven systems represents around 68% of all energy consumption.

Furthermore, if we consider both industrial and domestic applications, including appliances in our analysis, electric motors account for more than 40% of the total energy consumed Globally.

This serves to emphasize the scale of worldwide electrical energy consumption by electric motors and the importance placed upon development of more and more efficient products, not only to fulfil but to reduce this increasing demand, and consequently achieve energy / financial savings and emissions reduction.



In response to this situation, several Government Authorities are implementing Minimum Energy Efficiency Performance Standards, in order to encourage greater utilization of high-efficient equipment.

In Europe it was no different, and motor systems were earmarked as a priority target in the Eco-Design Directive (2005), which has established requirements for Energy-using Products: “EuP Directive”.

As a result, EU Mandatory Minimum Energy-Efficiency Performance Standard (MEPS) for industrial electric motors entered into force from July 2009.

With this situation in mind WEG presents its W22 Ultra Premium IE5 efficiency motor line.

The efficiency performance of these motors far exceed the IE3 or IE4 minimum efficiency levels required in Europe today. This enables customers to reduce their Total Cost of Ownership through the reduction in energy consumption and consequently their carbon footprint.

HIGH OVERALL PERFORMANCE WHICH IS TRANSLATED INTO A LOWER TOTAL COST OF OWNERSHIP, DUE TO ITS RELIABILITY, EASY MAINTENANCE AND ENERGY SAVINGS!

W22 - Ultra Premium Efficiency - IE5 (50Hz)

Output kW HP		Frame	Full Load Torque (Nm)	Locked Rotor Current I _L /I _n	Locked Rotor Torque T _L /T _n	Break- down Torque T _b /T _n	Inertia J (kgm ²)	Allowable locked rotor time (s)		Weight (kg)	Sound dB(A)	400 V						Full load current I _n (A)	
								Rated speed (rpm)	% of full load			Power Factor							
									Efficiency			Power Factor							
								Hot	Cold			50	75	100	50	75	100		
II Poles																			
75	100	280S/M	24,5	9,0	3,5	4,0	1,62	54	119	772	77,0	2984	94,5	95,9	96,4	0,73	0,82	0,86	131
90	125	280S/M	29,4	9,5	3,4	4,1	1,71	42	92	796	77,0	2984	94,9	96,2	96,6	0,72	0,82	0,86	156
110	150	315S/M	35,9	9,5	3,3	3,8	2,98	67	147	1600	77,0	2985	95,1	96,4	96,8	0,78	0,86	0,89	184
132	175	315S/M	43,1	9,1	3,5	4,0	3,20	53	117	1643	77,0	2986	95,3	96,5	96,9	0,77	0,85	0,88	223
150	200	315S/M	48,9	9,8	3,3	3,9	3,35	43	95	1671	77,0	2985	95,5	96,6	96,9	0,78	0,86	0,89	251
160	220	315L	52,2	9,2	3,6	3,7	3,80	51	112	1750	78,0	2986	95,3	96,5	96,9	0,79	0,87	0,90	265
185	250	315L	60,4	7,9	2,8	3,0	3,93	45	99	1780	78,0	2983	95,9	96,8	97,0	0,82	0,88	0,91	303
200	270	315L	65,4	7,3	2,9	2,7	4,00	43	95	1796	78,0	2980	96,0	96,7	97,0	0,84	0,89	0,91	327
220	300	315L	71,8	9,8	3,6	3,7	4,07	29	64	1808	78,0	2986	95,8	96,8	97,0	0,77	0,86	0,89	368
250	340	315L	81,6	8,7	3,2	3,2	4,07	23	51	1809	78,0	2983	96,0	96,8	97,0	0,80	0,88	0,90	413
280	380	355M/L	91,3	9,4	2,8	3,2	5,36	35	77	2152	80,0	2987	95,6	96,7	97,0	0,83	0,88	0,90	463
300	400	355M/L	97,9	8,4	2,6	2,8	5,79	36	79	2226	80,0	2985	95,8	96,7	97,0	0,86	0,90	0,91	491
IV Poles																			
75	100	280S/M	49,0	9,9	3,5	3,7	3,38	47	103	839	69,0	1491	95,3	96,4	96,7	0,62	0,74	0,80	140
90	125	280S/M	58,8	9,0	3,7	3,9	3,38	39	86	839	69,0	1491	95,4	96,4	96,7	0,61	0,73	0,80	168
110	150	315S/M	71,8	9,5	4,0	3,8	5,18	63	139	1688	71,0	1493	95,8	96,9	97,1	0,67	0,78	0,83	197
132	175	315S/M	86,1	9,4	4,0	3,7	5,29	51	112	1702	71,0	1493	96,0	97,0	97,1	0,67	0,78	0,83	236
150	200	315L	97,9	8,6	3,9	3,5	6,06	55	121	1790	73,0	1493	96,0	96,9	97,1	0,69	0,80	0,85	262
160	220	315L	104	9,5	3,6	3,2	6,29	55	121	1817	73,0	1492	95,8	96,9	97,1	0,73	0,82	0,86	277
185	250	355M/L	121	7,3	3,7	3,9	10,5	49	108	2250	76,0	1495	96,1	97,1	97,1	0,62	0,74	0,81	340
200	270	355M/L	130	8,6	3,4	3,6	10,5	50	110	2250	76,0	1495	95,8	97,0	97,1	0,64	0,76	0,82	363
220	300	355M/L	143	7,8	3,1	3,2	10,2	52	114	2268	76,0	1494	96,1	97,1	97,1	0,68	0,78	0,83	394
250	340	355M/L	163	8,9	3,5	3,6	11,2	36	79	2320	76,0	1494	95,9	97,0	97,1	0,64	0,75	0,81	459
280	380	355M/L	183	7,8	3,0	3,1	11,6	38	84	2357	76,0	1493	96,2	97,1	97,1	0,69	0,79	0,83	501
300	400	355M/L	196	7,3	2,8	2,9	11,6	34	75	2321	76,0	1492	96,3	97,1	97,1	0,71	0,80	0,84	531
315	430	355M/L	206	7,1	2,7	2,8	11,6	33	73	2356	76,0	1492	96,4	97,1	97,1	0,72	0,81	0,84	557
VI Poles																			
45	60	280S/M	44,2	8,5	3,2	3,4	4,14	57	125	745	65,0	992	94,9	95,9	95,9	0,58	0,71	0,77	88,0
55	75	280S/M	54,0	8,5	3,2	3,4	4,47	51	112	781	65,0	992	95,2	96,0	96,0	0,59	0,71	0,78	106
75	100	315S/M	73,4	8,7	3,3	3,8	8,12	65	143	1639	67,0	995	94,7	96,0	96,2	0,55	0,68	0,76	148
90	125	315S/M	88,1	8,4	3,2	3,6	8,48	57	125	1669	67,0	995	94,9	96,2	96,3	0,57	0,70	0,77	175
110	150	315L	108	8,4	3,7	4,0	10,7	54	119	1831	68,0	995	94,7	96,3	96,4	0,55	0,68	0,76	217
132	175	315L	129	7,0	3,1	3,4	10,7	46	101	1830	68,0	994	95,3	96,4	96,4	0,61	0,73	0,80	247
150	200	355M/L	147	7,0	2,6	3,0	12,9	62	136	2196	73,0	995	94,6	96,0	96,4	0,58	0,70	0,76	296
185	250	355M/L	181	6,9	2,6	3,0	14,1	77	169	2286	73,0	995	94,7	96,1	96,5	0,58	0,70	0,76	364
200	270	355M/L	196	6,2	2,2	2,6	15,0	70	154	2358	73,0	995	95,2	96,3	96,5	0,63	0,74	0,79	379
220	300	355M/L	215	6,6	2,5	2,8	15,0	70	154	2358	73,0	995	95,0	96,2	96,5	0,60	0,72	0,78	422

Note: IE1 and IE2 motors available under request.

W22 - Ultra Premium Efficiency - IE5 (60Hz)

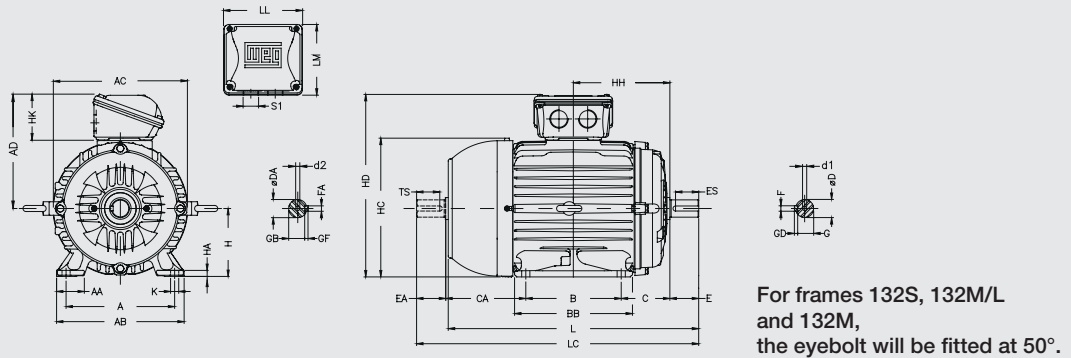
Output		Frame	Full Load Torque (Nm)	Locked Rotor Current I _L /I _n	Locked Rotor Torque T _L /T _n	Break-down Torque T _b /T _n	Inertia J (kgm ²)	Allowable locked rotor time (s)		Weight (kg)	Sound dB(A)	460 V								
								Hot	Cold			% of full load			Full load current I _n (A)					
												Efficiency			Power Factor					
kW	HP										Rated speed (rpm)	50	75	100	50	75	100			
II Poles																				
75	100	280S/M	24,5	9,0	3,5	4,0	1,62	54	119	772	77,0	3586	93,6	95,4	96,2	0,70	0,80	0,85	115	
90	125	280S/M	29,4	9,5	3,4	4,1	1,71	42	92	796	77,0	3586	94,1	95,8	96,5	0,70	0,80	0,85	138	
110	150	315S/M	35,9	9,5	3,3	3,8	2,98	67	147	1600	77,0	3587	94,8	96,2	96,5	0,76	0,84	0,88	163	
132	175	315S/M	43,1	9,1	3,5	4,0	3,20	53	117	1643	77,0	3588	95,1	96,4	96,8	0,75	0,84	0,87	197	
150	200	315S/M	48,9	9,8	3,3	3,9	3,35	43	95	1671	77,0	3587	95,4	96,6	96,8	0,76	0,84	0,88	221	
160	220	315L	52,2	9,2	3,6	3,7	3,80	51	112	1750	78,0	3588	93,6	95,6	96,8	0,77	0,85	0,89	233	
185	250	315L	60,4	7,9	2,8	3,0	3,93	45	99	1780	78,0	3585	95,2	96,6	96,8	0,80	0,87	0,90	267	
200	270	315L	65,4	7,3	2,9	2,7	4,00	43	95	1796	78,0	3583	95,5	96,7	96,8	0,82	0,89	0,91	285	
220	300	315L	71,8	9,8	3,6	3,7	4,07	29	64	1808	78,0	3587	95,1	96,6	96,8	0,75	0,84	0,88	324	
250	340	315L	81,6	8,7	3,2	3,2	4,07	23	51	1809	78,0	3585	95,4	96,4	96,8	0,78	0,86	0,89	364	
280	380	355M/L	91,3	9,4	2,8	3,2	5,36	35	77	2152	80,0	3588	94,8	96,4	96,8	0,82	0,88	0,90	403	
300	400	355M/L	97,9	8,4	2,6	2,8	5,79	36	79	2226	80,0	3587	95,1	96,5	96,8	0,85	0,89	0,91	427	
IV Poles																				
75	100	280S/M	49,0	9,9	3,5	3,7	3,38	47	103	839	69,0	1792	95,3	96,3	96,5	0,59	0,71	0,78	125	
90	125	280S/M	58,8	9,0	3,7	3,9	3,38	39	86	839	69,0	1792	95,7	96,5	96,5	0,58	0,71	0,78	150	
110	150	315S/M	71,8	9,5	4,0	3,8	5,18	63	139	1688	71,0	1794	95,4	96,7	96,8	0,64	0,76	0,82	174	
132	175	315S/M	86,1	9,4	4,0	3,7	5,29	51	112	1702	71,0	1794	95,6	96,8	96,8	0,64	0,76	0,82	209	
150	200	315L	97,9	8,6	3,9	3,5	6,06	55	121	1790	73,0	1794	95,2	96,5	96,8	0,67	0,78	0,83	234	
160	220	315L	104	9,5	3,6	3,2	6,29	55	121	1817	73,0	1794	94,9	96,4	96,8	0,63	0,75	0,82	253	
185	250	355M/L	121	7,3	3,7	3,9	10,5	49	108	2250	76,0	1796	95,5	96,8	96,8	0,59	0,72	0,79	304	
200	270	355M/L	130	8,6	3,4	3,6	10,5	50	110	2250	76,0	1795	95,2	96,7	96,8	0,62	0,74	0,81	320	
220	300	355M/L	143	7,8	3,1	3,2	10,2	52	114	2268	76,0	1794	95,5	96,8	96,8	0,65	0,76	0,81	352	
250	340	355M/L	163	8,9	3,5	3,6	11,2	36	79	2320	76,0	1795	95,4	96,8	96,8	0,61	0,73	0,79	410	
280	380	355M/L	183	7,8	3,0	3,1	11,6	38	84	2357	76,0	1794	95,8	96,8	96,8	0,66	0,77	0,82	443	
300	400	355M/L	196	7,3	2,8	2,9	11,6	34	75	2321	76,0	1793	96,0	96,8	96,8	0,68	0,78	0,83	469	
315	430	355M/L	206	7,1	2,7	2,8	11,6	33	73	2356	76,0	1793	96,1	96,8	96,8	0,70	0,79	0,83	492	
VI Poles																				
45	60	280S/M	44,2	8,5	3,2	3,4	4,14	57	125	745	65,0	1193	94,1	95,5	95,8	0,56	0,68	0,76	77,6	
55	75	280S/M	54,0	8,5	3,2	3,4	4,47	51	112	781	65,0	1193	94,4	95,7	95,8	0,57	0,69	0,76	94,8	
75	100	315S/M	73,4	8,7	3,3	3,8	8,12	65	143	1639	67,0	1196	94,4	95,8	95,8	0,52	0,66	0,73	135	
90	125	315S/M	88,1	8,4	3,2	3,6	8,48	57	125	1669	67,0	1195	94,7	96,1	96,2	0,54	0,67	0,75	157	
110	150	315L	108	8,4	3,7	4,0	10,7	54	119	1831	68,0	1196	94,2	95,9	96,2	0,52	0,66	0,74	194	
132	175	315L	129	7,0	3,1	3,4	10,7	46	101	1830	68,0	1195	95,0	96,2	96,2	0,58	0,71	0,78	221	
150	200	355M/L	147	7,0	2,6	3,0	12,9	62	136	2196	73,0	1196	93,9	95,8	96,2	0,54	0,67	0,74	264	
185	250	355M/L	181	6,9	2,6	3,0	14,1	77	169	2286	73,0	1196	94,2	96,0	96,2	0,55	0,67	0,74	326	
200	270	355M/L	196	6,2	2,2	2,6	15,0	70	154	2358	73,0	1195	94,7	96,2	96,2	0,60	0,72	0,78	335	
220	300	355M/L	215	6,6	2,5	2,8	15,0	70	154	2358	73,0	1195	94,5	96,1	96,2	0,57	0,70	0,76	378	

Note: IE1 and IE2 motors available under request.

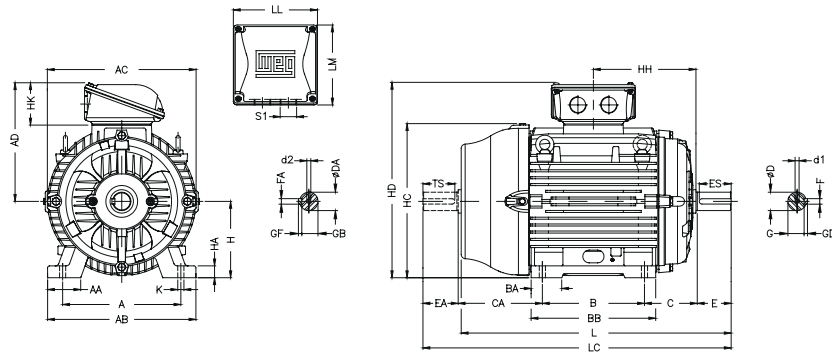
18. Mechanical Data

Foot Mounted Motors, Terminal Box Top

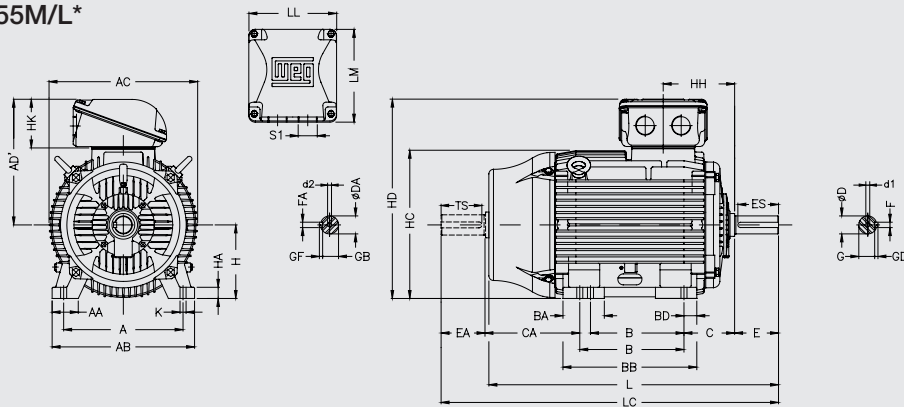
Frames 63 to L132M/L



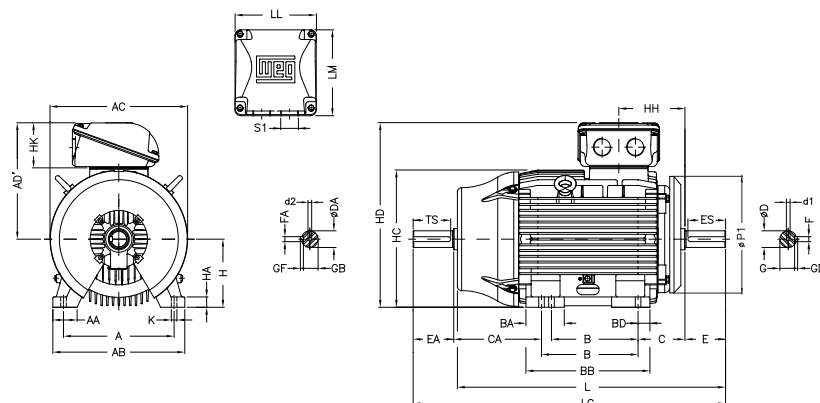
Frames 160M to 200L



Frames 225 to 355M/L*



Frame 355A/B*



*Some outputs in frame sizes 315 and 355 are equipped with an air deflector at the DE. In this case the dimension P1 will be 780mm and 880mm for frames 315 and 355 respectively.

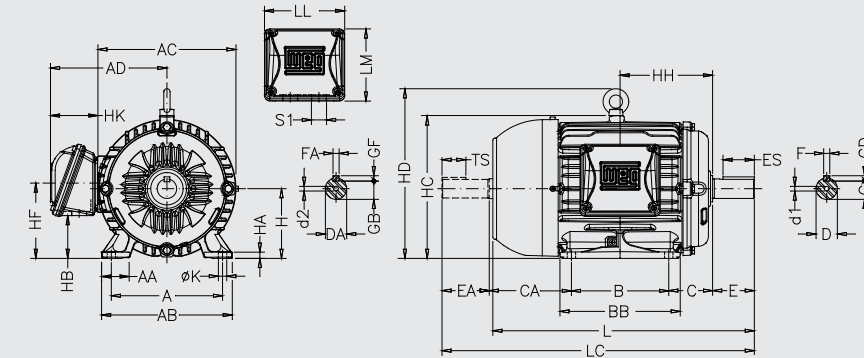
Frame	A	AA	AB	AC	AD	AD'	B	BA	BB	BD	C	CA	DE Shaft end						NDE Shaft end						
													D	E	ES	F	G	GD	DA	EA	FA	TS	GB	GF	
63	100	25,5	116	125	123		80		95		40	78	11j6	23	14	4	8,5	4	9j6	20	3	12	7,2	3	
71	112	28,5	132	141	131		90		113,5		45	88	14j6	30	18	5	11	5	11j6	23	4	14	8,5	4	
80	125	30,5	149	159	140		100		125,5		50	93 118	19j6	40	28	6	15,5	6	14j6	30	18	11	5	5	
L80																									
90S	140	37	164	179	149		125		131		56	135	24j6	50	36	8	20	7	16j6	40	5	28	13	5	
L90S																									
90L																									
L90L																									
100L	160	40	188	206	159		140		173		63	118 162 128	28j6	60	45	8	24	7	22j6	50	6	36	18,5	6	
L100L																									
112M																									
L112M																									
132S	190	40,5	220	226	192		140		177		70	158							24j6		8	45	24	7	
L132S																									
132M																									
L132M/L																									
132S	216	45,5	248	272	220		178		225		89	150	38k6	80	63	10	33	8	28j6	60	8	45	24	7	
L132M/L																									
160M																									
L160L																									
160L	254	44	292	329	266		210	63	254		108	174	42k6							42k6		12	37	8	8
L160L																									
180M																									
L180M																									
180L	279	78	350	360	281		241	70	294		121	200	48k6	110	80					48k6	110	14	80	42,5	9
L180L																									
200L																									
L200L																									
225S/M*	356	80	436	455		384	286/311	124	412	41	149	319/294	55m6							55m6		16	49	10	10
225S/M																									
250S/M*																									
250S/M																									
280S/M*	457	100	506	486		398	311/349	146	467	59	168	354/316	60m6	140	125					60m6		18	53	11	11
280S/M																									
315S/M*																									
315S/M																									
315L*	508	120	630	657		472	368/419	151	517	49	190	385/334	65m6							60m6		18	58	11	11
315L																									
355M/L*																									
355M/L																									
355A/B*	610	140	750	736		530	406/457	184	626	70	216	443/494	80m6	140	125	18	58	11	60m6		140	18	125	53	11
355A/B																									
355M/L*																									
355M/L																									
355A/B*	610	140	750	736		576	508	219	752	81	216	502	65m6	140	125	18	58	11	60m6		140	18	125	53	11
355A/B																									
355M/L*																									
355M/L																									
355A/B*	610	140	750	736		620	560/630	230	760	65	254	483/413	75m6	140	125	20	67,5	12	60m6		140	18	125	53	11
355A/B																									
355M/L*																									
355M/L																									
355A/B*	610	140	750	736		609	710/800	325	965	70	254	528/438	100m6	210	200	28	90	16	80m6		170	22	160	71	14
355A/B																									
355M/L*																									
355M/L																									

Frame	H	HA	HC	HD	HH	HK	L	LC	LL	LM	S1	K	D1	D2	Bearing													
															DE	NDE												
63	63	7	130	186	80	59	216	241	108	98	2xM20x1,5	7	EM4	EM3	6201 ZZ	6201 ZZ												
71	71		145	202	90		250	276					DM5	EM4	6202 ZZ	6202 ZZ												
80	80	8	163	220	100		277	313					DM6	DM5	6204 ZZ	6203 ZZ												
L80							301	338																				
90S	90	9	182	239	106		305	350	140	133	2xM25x1,5	10	DM8	DM6	6205 ZZ	6204 ZZ												
L90S																	334,5	381										
90L																	118,5	329	375									
L90L																		360	406									
100L	100	10	203	259	133		376	431	140	133	2xM32x1,5	12	DM10	DM8	6206 ZZ	6205 ZZ												
L100L																	418	475										
112M																	80	394	448									
L112M																		423	478									
132S	132	16	274	352	159		452	519	140	133	2xM32x1,5	12	DM12	DM10	6308 ZZ	6207 ZZ												
L132S																	476	544										
132M																	80	489	557									
L132M/L																		190,5	515	582								
160M	160	17	331	426	213		538,5	607	140	133	2xM40x1,5	14,5	DM16	DM16	6309 ZZ-C3	6209 ZZ-C3												
L160L																	101	598	712									
180M																		664	782									
L180M																		706	824									
180L	180	28	366	461	241,5		702	820	140	133	2xM40x1,5	14,5	DM16	DM16	6311 ZZ-C3	6211 ZZ-C3												
L180L																	101	744	862									
200L																		767	880									
L200L																		210	220									
225S/M*	225	34	453	609	212	153	856	974	140	133	2xM50x1,5	18,5	DM20	DM20	6314 C3	6314 C3												
225S/M																	153	886	1034									
250S/M*																												
250S/M																												
280S/M*	280	42	580	752	266	152	1071	1223	140	133	2xM63x1,5	24	DM20	DM20	6316 C3	6316 C3												
280S/M																												
315S/M*																												
315S/M																												
315L*	315	48	644	845	264	176	1244	1392	140	133	2xM63x1,5	28	DM20	DM20	6319 C3	6316 C3												
315L																												
355M/L*																												
355M/L																												
355A/B*	355	50	723	975	339	220	1482	1677	140	133	2xM80x2	28	DM20	DM20	6316 C3	6314 C3												
355A/B																												
355M/L*																												
355M/L																												
355A/B*																												
355A/B																												

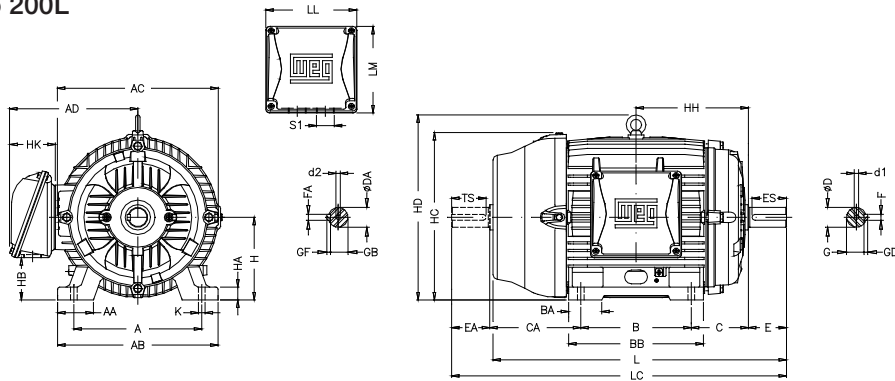
Notes:
 (*) Dimension applicable to 2 pole motors.
 (**) All dimensions are in mm.

Foot mounted motors, Terminal Box Left or Right Side

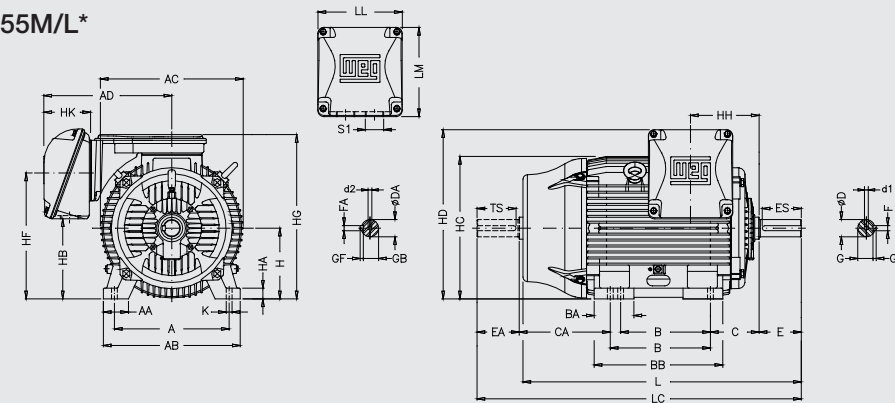
Frames 63 to 132M/L



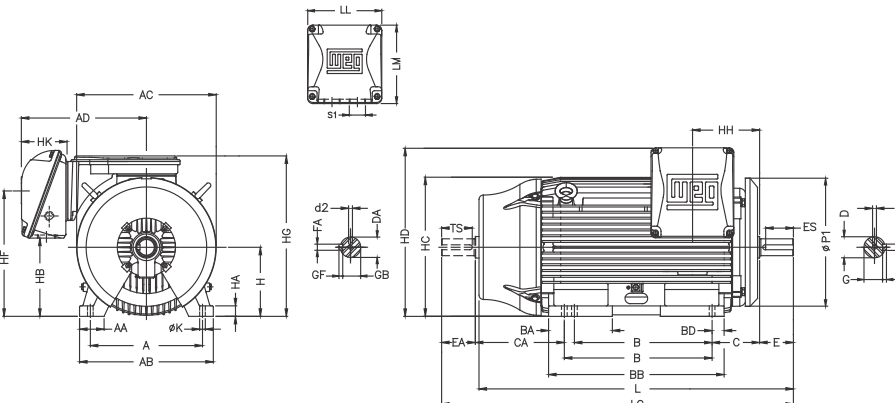
Frames 160M to 200L



Frames 225 to 355M/L*



Frame 355A/B*



* Some outputs in frame sizes 315 and 355 are equipped with an air deflector at the D.E. In this case the dimension P1 will be 780mm and 880mm for frames 315 and 355 respectively

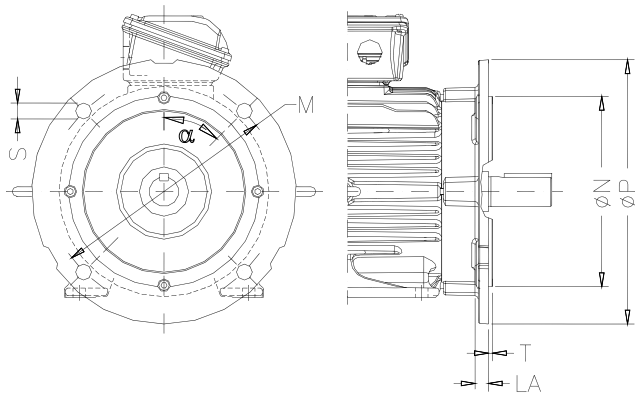
Frame	A	AA	AB	AC	AD	B	BA	BB	BD	C	CA	DE Shaft					NDE Shaft									
												D	E	ES	F	G	GD	DA	EA	TS	FA	GB	GF			
63	100	25,5	116	125	123	80		95		40	78	11j6	23	14	4	8,5	4	9j6	20	12	3	7,2	3			
71	112	28,5	132	141	131	90		113,5		45	88	14j6	30	18	5	11	5	11j6	23	14	4	8,5	4			
80	125	30,5	149	159	140	100		125,5		50	93 142	19j6	40	28	6	15,5	6	14j6	30	18	5	11	5	11		
L80																										
90S	140	37	164	179	149					125		156	56	135	24j6	50	36	8	20	7	16j6	40	28	5	13	5
L90S																										
90L	160	40	188	206	159					173		173	63	118 162	28j6	60	45	8	24	7	22j6	50	36	6	18,5	6
L90L																										
100L	190	40,5	220	215	192					140		177	70	128 158	28j6	60	45	8	24	7	24j6	50	36	6	20	6
L100L																										
112M	216	45,5	248	272	220					178		187	89	150	38k6	80	63	10	33	8	28j6	60	45	8	24	7
L112M																										
132S	254	44	292	329	266	178/203		250	108	174	42k6	110	80	12	37	8	42k6	110	60	45	8	24	7			
L132S																										
132M	279	78	350	360	281	210	63	254	121	200	48k6	110	80	14	42,5	9	48k6	110	80	14	42,5	9				
L132M																										
132M/L	318	82	385	402	319	254	70	294	121	200	48k6	110	80	14	42,5	9	48k6	110	80	14	42,5	9				
L132M/L																										
160M	356	80	436	455	410	286/311	124	412	41	149	319/294	140	125	18	53	11	60m6	140	125	18	49	10	55m6			
L160M																										
180M	406	100	506	486	445	368/419	151	517	49	190	385/334	140	125	18	58	11	60m6	140	125	18	49	10	55m6			
L180M																										
180L	457	557	599	445	368/419	151	517	49	190	385/334	75m6	140	125	18	58	11	60m6	140	125	18	49	10	55m6			
L180L																										
200L	508	120	630	657	525	406/457	184	626	70	216	494/443	140	125	18	58	11	60m6	140	125	18	49	10	55m6			
225S/M*																										
225S/M	508	120	630	657	589	508	219	752	81	254	443/494	140	125	18	58	11	60m6	140	125	18	49	10	55m6			
250S/M*																										
250S/M	610	140	750	736	609	560/630	230	760	65	254	483/413	140	125	20	67,5	12	60m6	140	125	18	53	71	14			
280S/M*																										
280S/M	610	140	750	736	609	710/800	325	955	70	254	528/438	140	125	20	67,5	12	60m6	140	125	18	53	71	14			
315S/M*																										
315S/M	610	140	750	736	609	710/800	325	955	70	254	528/438	140	125	20	67,5	12	60m6	140	125	18	53	71	14			
315L*																										
315L	610	140	750	736	609	710/800	325	955	70	254	528/438	140	125	20	67,5	12	60m6	140	125	18	53	71	14			
355M/L*																										
355M/L	610	140	750	736	609	710/800	325	955	70	254	528/438	140	125	20	67,5	12	60m6	140	125	18	53	71	14			
355A/B*																										
355A/B	610	140	750	736	609	710/800	325	955	70	254	528/438	140	125	20	67,5	12	60m6	140	125	18	53	71	14			
355A/B																										

Frame	H	HA	HB	HC	HD	HF	HG	HH	HK	LL	LM	K	L	LC	S1	d1	d2	Bearing	
																		DE	NDE
63	63	7	25,5	130	156,3	68,5		80							2xM20x1,5	EM4	EM3	6201 ZZ	6201 ZZ
71	71		33	145	163,8	76		90								DM5	EM4	6202 ZZ	6202 ZZ
80	80	8	43,5	163	174,3	87		100	59	108	98				2xM25x1,5	DM6	DM4	6204 ZZ	6203 ZZ
L80																			
90S	90	9	47	182	182,4	90		106							2xM25x1,5	DM8	DM6	6205 ZZ	6204 ZZ
L90S																			
90L	100	10	65	205	244	106,4		118,5							2xM25x1,5	DM8	DM6	6205 ZZ	6204 ZZ
L90L																			
100L	112	10	54,5	235	280	112		133							2xM32x1,5	DM10	DM8	6206 ZZ	6205 ZZ
L100L																			
112M	132	16	75	274	319	132		140	80	140	133				2xM32x1,5	DM12	DM10	6308 ZZ	6207 ZZ
L112M																			
132S	160	17	79	331	380			159							2xM32x1,5	DM12	DM10	6308 ZZ	6207 ZZ
L132S																			
132M	180	28	92	366	413			178							2xM40x1,5	DM16	DM16	6309 ZZ-C3	6209 ZZ-C3
L132M																			
132M/L	200	30	119	407	464			190,5							2xM40x1,5	DM16	DM16	6311 ZZ-C3	6211 ZZ-C3
L132M/L																			
160M	225	34	255	453	541	421	534	212							2xM40x1,5	DM16	DM16	6311 C3	6211 ZZ-C3
L160M																			
160L	250	43	297	493	583	463	577	214							2xM40x1,5	DM16	DM16	6311 ZZ-C3	6211 ZZ-C3
L160L																			
180M	280	42	386	580	700	572	686	266	152	314	312				2xM40x1,5	DM16	DM16	6311 ZZ-C3	6211 ZZ-C3
L180M																			
180L	315	48	336	644	768	592	751	264	176	379	382				2xM40x1,5	DM16	DM16	6311 ZZ-C3	6211 ZZ-C3
L180L																			
200L	355	50	461	723	898	700	885	339							2xM50x1,5	DM20	DM20	6312 ZZ-C3	6212 ZZ-C3
225S/M*																			
225S/M	315	48	336	644	774	575	760	285							2xM50x1,5	DM20	DM20	6314 C3	6314 C3
250S/M*																			
250S/M	355	50	461	723	949	700	885	340	328	460	544				2xM50x1,5	DM20	DM20	6316 C3	6316 C3
280S/M*																			
280S/M	355	50	461	723	949	700	885	340	328	460	544				2xM50x1,5	DM20	DM20	6316 C3	6316 C3
315S/M*																			
315S/M	355	50	461	723	949	700	885	340	328	460	544				2xM50x1,5	DM20	DM20	6316 C3	6316 C3
315L*																			
315L	355	50	461	723	949	700	885	340	328	460	544				2xM50x1,5	DM20	DM20	6316 C3	6316 C3
355M/L*																			
355M/L	355	50	461	723	949	700	885	340	328	460	544				2xM80x2	DM24	DM24	6319 C3	6319 C3
355A/B*																			
355A/B	355	50	461	723	949	700	885	340	328	460	544				2xM80x2	DM24	DM24	6319 C3	6319 C3
355A/B																			

Notes:
 (*) Dimension applicable to 2 pole motors.
 (**) All dimensions are in mm.

Flange Mounted Motors

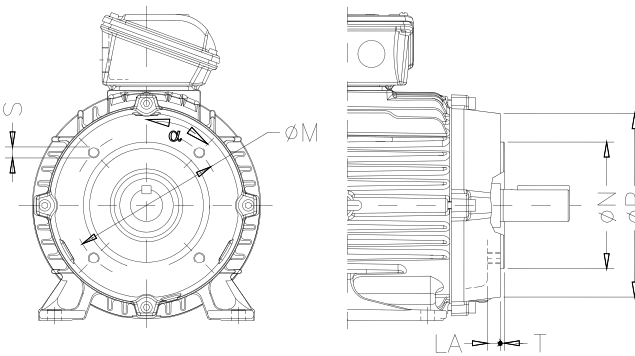
“FF” Flange



Frame	Flange	LA	M	N	P	S	T	α	N° of holes
63	FF-115	5,5	115	95	140	10	3	45°	4
71	FF-130	7	130	110	160				
80	FF-165	9	165	130	200	12	3,5		
90		10							
100	FF-215	12,5	215	180	250	15	4		
112	FF-265	12	265	230	300				
160	FF-300	18	300	250	350	19	5	22°30'	8
180									
200	FF-350	350	300	400					
225	FF-400	400	350	450					
250	FF-500	20	500	450	550				
280		18							
280	FF-600	22	600	550	660/780*	24	6		
315S/M									
315L	16								
355	FF-740	22	740	680	800/880*				

*Only for motors fitted with air deflector in drive end side.
** Dimensions are in mm.

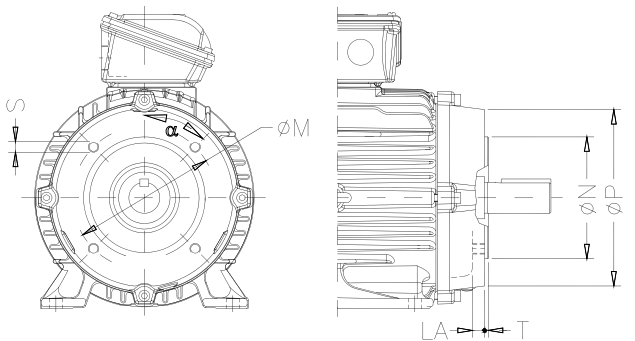
“C-DIN” Flange



Frame	Flange	LA	M	N	P	S	T	α	N° of holes
63	C-90	9,5	75	60	90	M5	2,5	45°	4
71	C-105	8	85	70	105	M6			
80	C-120	10,5	100	80	120		M8		
90	C-140	10,5	115	95	140	M10			
100	C-160	12	130	110	160				
112		13,5							
132	C-200	15,5	165	130	200				

* Dimensions are in mm.

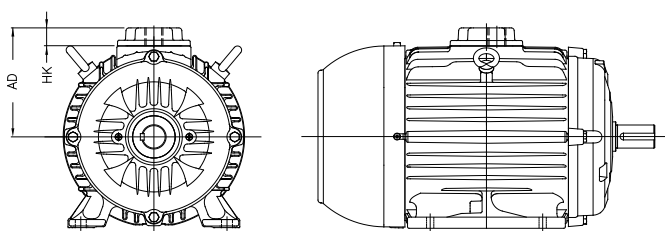
“NEMA C” Flange



Frame	Flange	LA	M	N	P	S	T	α	N° of holes
63	FC-95	4,5	95,2	76,2	143	UNC 1/4"x20	4	45°	4
71		10							
80		10							
90	FC-149	15	149,2	114,3	165	UNC 3/8"x16			
100		12							
112	FC-184	13,5	215,9	184,2	225	UNC 1/2"x13			
132		15,5							
160		26							
180	FC-228	20	266,7	228,6	280	UNC 1/2"x13	6,3		
200									
225	FC-279	25	317,5	279,4	395	UNC 1/2"x13			
250	FC-355	25	406,4	355,6	455	UNC 5/8"x11	6,3	22°30'	8
280									
315S/M	FC-368	18,5	419,1	368,3	455	UNC 5/8"x11			
315L									
355M/L							40		
355A/B							33,5		

*Dimensions are in mm.

Dimensions for motors with terminal box base



Frame	Threaded hole \leq M20 or 1/2"		Threaded hole $>$ M20 or 1/2"	
	HK	AD	HK	AD
63	40	106	40	106
71		114		114
80	20	103	30	113
90		113		123
100		123		133
112	25	140	45	160
132		168		188

The optional terminal box base is not available in B30D, B30E, and B30T mountings.
*Dimensions are in mm.