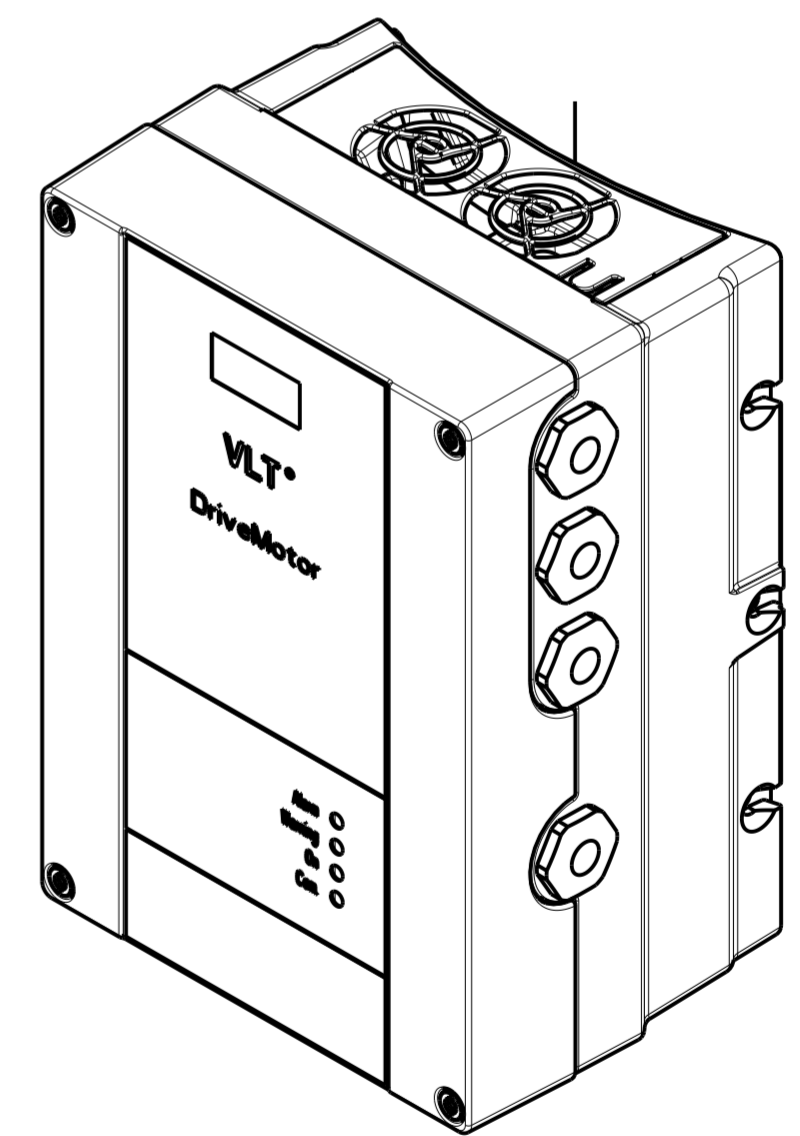
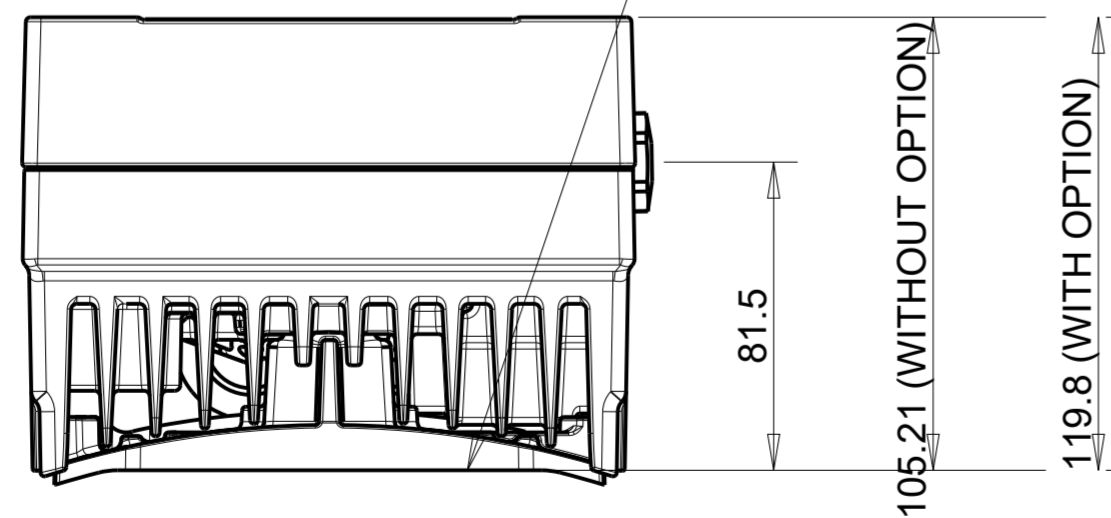


106.8 (WITHOUT OPTION)
121.4 (WITH OPTION)

BASELINE
MOTOR CABLE TERMINAL BOX



NOTES:
1. FOR FASTENER TORQUES, REFER TO 175R5600 CLASS A. UNLESS OTHERWISE SPECIFIED.

- ⊙ CRITICAL CHARACTERISTICS
 - ▽ KEY CHARACTERISTICS
 - INSPECTION
- MUST COMPLY TO ROHS DIRECTIVE 2011/65/EU

INTERPRET DIM. & TOL. PER ASME Y14.5M-1994 ALL DIMENSIONS ARE IN MILLIMETERS TOLERANCES UNLESS OTHERWISE SPECIFIED X±: 1.0 X∅: 0.50 ∠ ± 1.0		THIRD ANGLE PROJECTION	SCALE 0.500	SIZE A2	MATERIAL
— PDM CONTROLLED DRAWING — NOT VALID WITHOUT FROZEN DATE IN ID STAMP			DESCRIPTION MCAD FCP106 MH1		
CHANGED			DRAWING NUMBER MCAD-FCP106-MH1	REV	
DESIGNED	Dec-13-18		MODEL MCAD-FCP106-MH1-IP66-WITH-OPTIO	SHEET 1 OF 1	
CHECKED		CONFIDENTIAL: PROPERTY OF DANFOSS A/S NORDBORG, DENMARK. NOT TO BE HANDED OVER TO BE COPIED OR BE USED BY A THIRD PARTY. TWO OR THREE DIMENSIONAL REPRODUCTION OF CONTENTS TO BE AUTHORIZED BY DANFOSS A/S.			