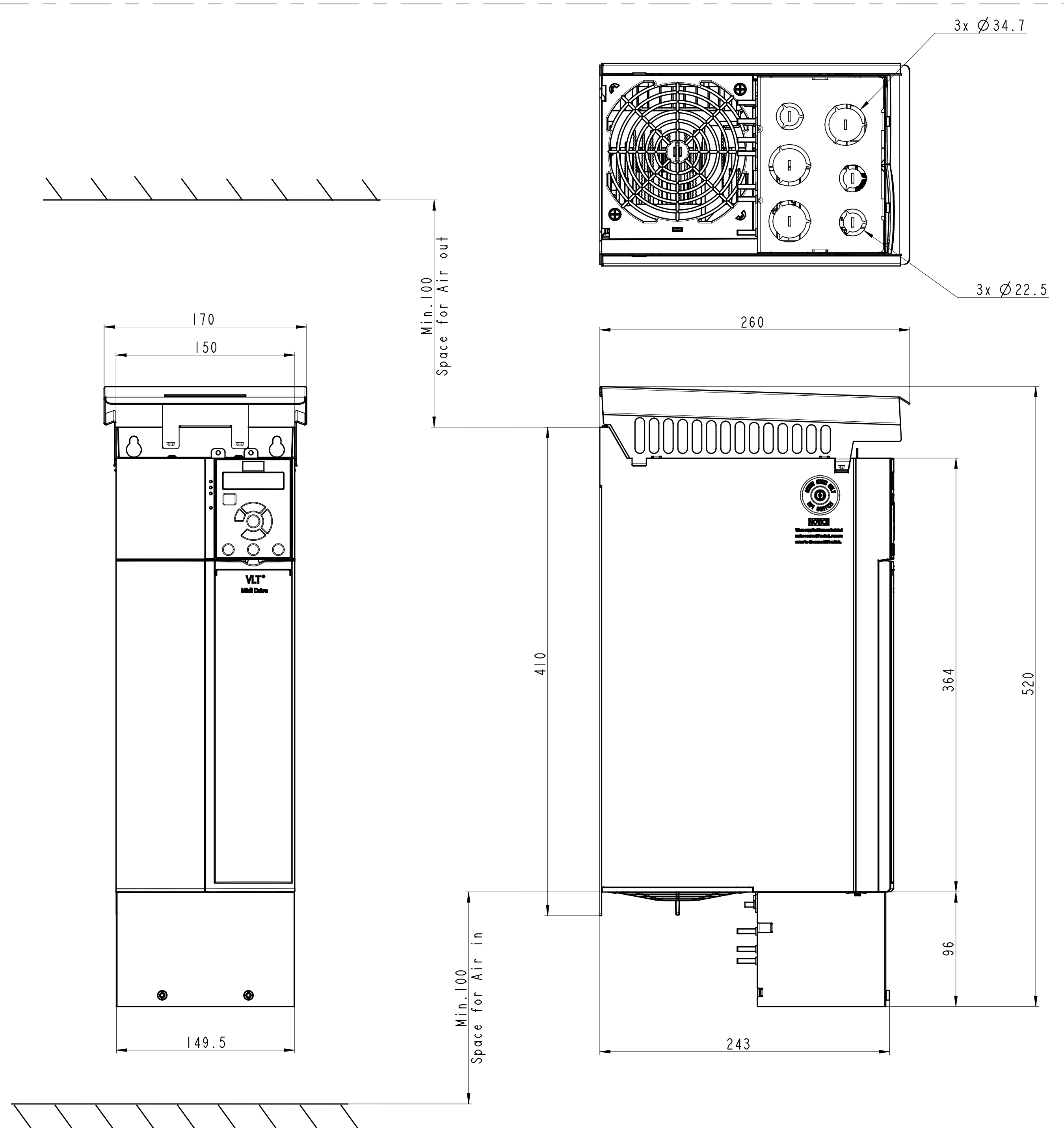
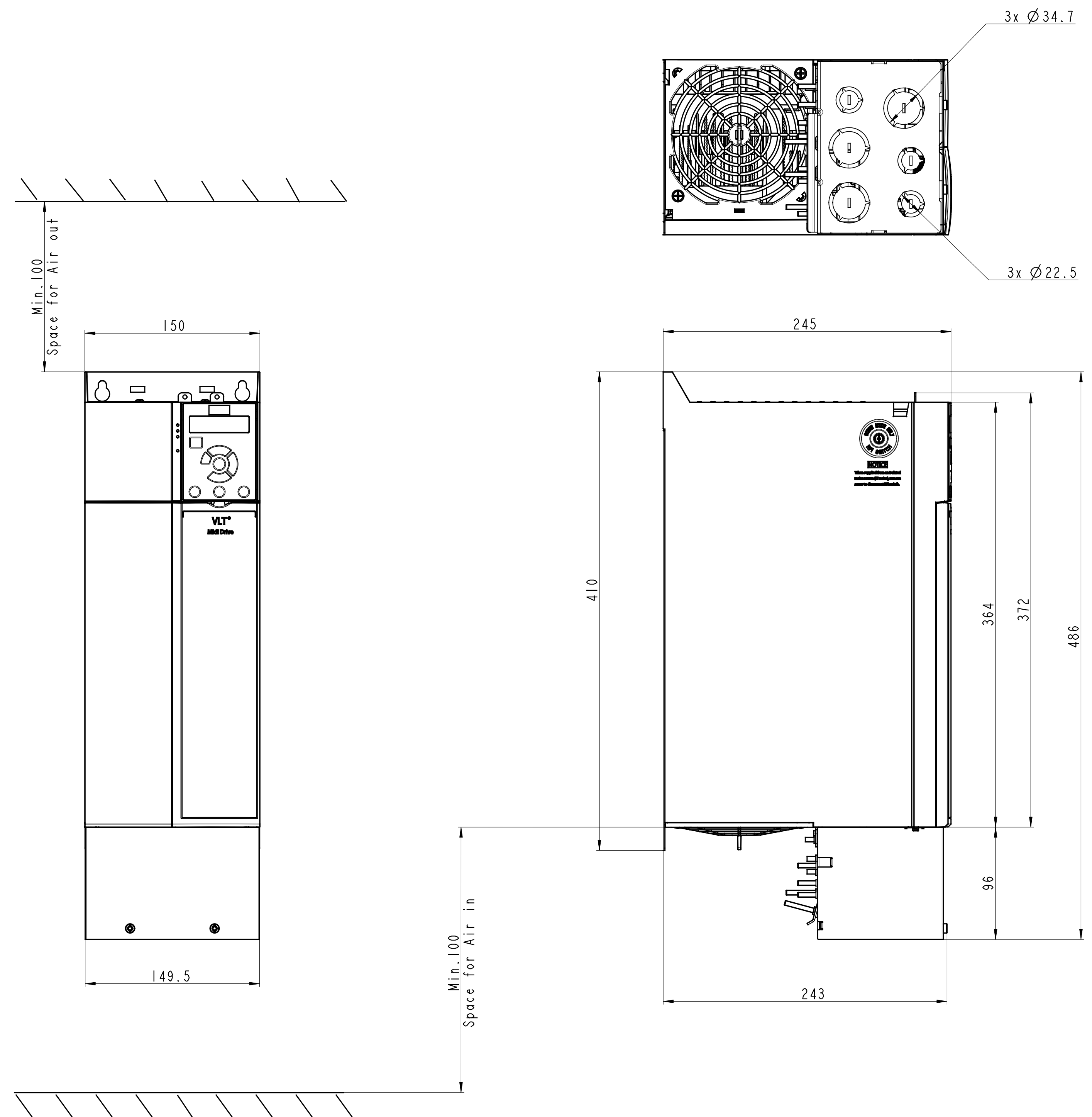


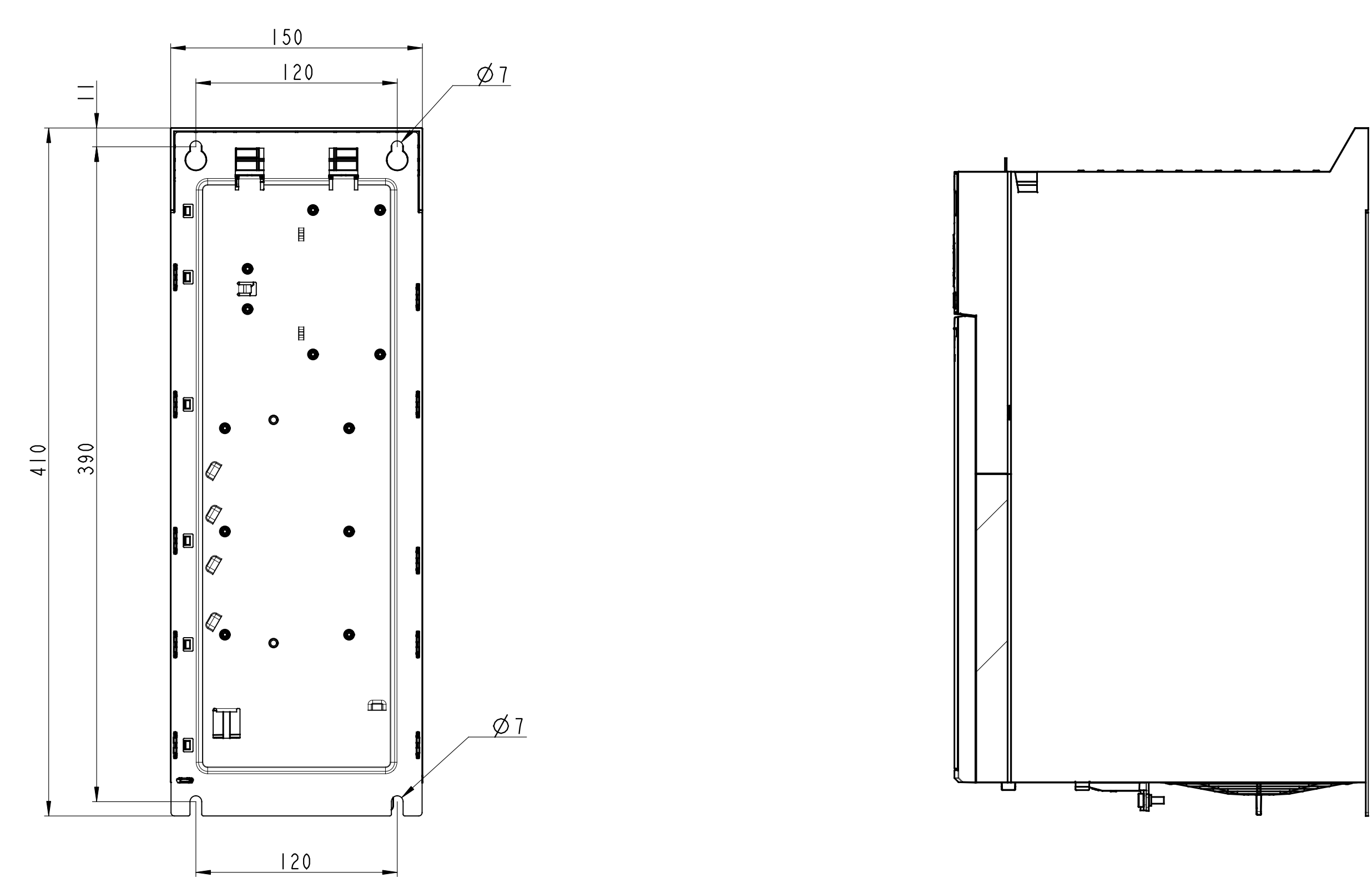
Standard with Decoupling Kits



Standard with IP21-Option



Standard with Nema-Option



Mounting-Base

PDM controlled drawing. Hard copy not valid without fracture date in ID Stamp		Projection 	Scale 1:2	Size A0	Material See Note
Replaces				Designation FC280-RS	
Designer	Liao Xuan 2015-11-24			No. FC280-RS-INSTALLATION Rev. 01 Sheet 1 of 1	
<small>Confidential: Property of Danfoss Power Electronics AS, Silkeborg, Denmark. Not to be shared under the copied or used by third party. Two- or three-dimensional reproduction of contents is authorized by Danfoss Power Electronics AS.</small>					