



B&P Elektromotoren

ENGINEERING
TOMORROW



Operating Guide

VACON® NXP DCGuard™



Contents

1	Introduction	5
1.1	Purpose of this Operating Guide	5
1.2	Additional Resources	5
1.3	Manual Version	5
1.4	Disposal	5
1.5	Type Approvals and Certifications	5
2	Safety	7
2.1	Safety Instructions	7
3	Product Overview	8
3.1	Intended Use	8
3.2	Application Functionality	8
3.3	Protection Functions	8
3.4	Controlled Voltage Ramp-Up	9
4	Electrical Installation	10
4.1	Cabling	10
4.1.1	Wiring Diagrams for Air-Cooled Inverter Units	10
4.1.2	Wiring Diagrams for Liquid-Cooled Inverter Units	13
4.2	Terminal Definitions	16
4.2.1	Terminal Locations in Air-Cooled Inverter Units	16
4.2.2	Terminal Locations in Liquid-Cooled Inverter Units	19
5	Control Unit	23
5.1	Control I/O Configuration	23
6	Parameter Settings	25
6.1	Setting the Parameters for the Application	25
6.2	Basic Parameters	25
6.3	Instant Current Cut-Off	26
6.4	Rapid Current Cut-Off	26
6.5	High Current Cut-Off	27
6.5.1	Parameter Settings for High Current Cut-Off	27
6.5.2	U Phase Current Protection	28
6.5.3	V Phase Current Protection	28
6.5.4	W Phase Current Protection	29
6.6	Over Load Protection	30
6.6.1	Function Description	30
6.6.2	U Phase Over Load Protection	31

6.6.3	V Phase Over Load Protection	31
6.6.4	W Phase Over Load Protection	32
6.7	Controlled Voltage Ramp-Up	33

1 Introduction

1.1 Purpose of this Operating Guide

This operating guide provides information for the installation and operation of the VACON® NXP DCGuard™ application. It is intended for use by qualified personnel. To use the drive safely and professionally, read and follow the instructions. Pay particular attention to the safety instructions and general warnings. Always keep this operating guide available with the drive.

1.2 Additional Resources

Other resources are available to understand advanced AC drive functions, programming, and options.

- The VACON® NXP DCGuard™ design guide provides technical information to understand the capabilities of the VACON® NXP DCGuard™ application.
- The VACON® NXP DCGuard™ application guide provides greater detail on how to work with the application software and how to set the parameters of the AC drive modules.
- VACON® NXP Common DC Bus and VACON® NXP Liquid-cooled Common DC Bus user manuals provide detailed information for the installation, commissioning, and operation of the AC drive modules.
- The operating and installation guides for VACON® options give detailed information about specific drive options.

Supplementary publications and manuals are available from Danfoss. See www.danfoss.com for listings.

1.3 Manual Version

This manual is regularly reviewed and updated. All suggestions for improvement are welcome.

The original language of this manual is English.

Table 1: VACON® NXP DCGuard™ Operating Guide Version

Version	Release date	Remarks
B	25.10.2018	Product name update

1.4 Disposal

Context:

Do not dispose of equipment containing electrical components together with domestic waste. Collect it separately in accordance with local and currently valid legislation.



1.5 Type Approvals and Certifications

VACON® NXP DCGuard™ is type approved as a circuit breaker/DC-bus tie breaker. For a list of the approvals and certifications, see the VACON® NXP DCGuard™ product page at www.danfoss.com.

 NOTICE 

VACON® NXP DCGuard™ acts as a protection device in a DC power distribution system. Separate approvals as a DC-bus tie breaker can be required.

2 Safety

2.1 Safety Instructions

A safety guide is included in the product delivery. Read the safety instructions carefully before starting to work in any way with the system or its components.

The warnings and cautions in the safety guide give important information on how to prevent injury and damage to the equipment or the system. Read the warnings and cautions carefully and obey their instructions.

The product manuals with applicable safety, warning, and caution information can be downloaded from <https://www.danfoss.com/en/service-and-support/>.

3 Product Overview

3.1 Intended Use

Utilizing DC grids rather than AC grids enables power distribution with lower power losses. However, there are few or no international standards for building a DC grid, especially in marine applications. Short circuit handling is a challenge in DC grids and it is difficult to ensure the required system functionality by using fuses. Ensuring selectivity and limited short circuit energy requires more sophisticated protection devices.

Danfoss has therefore developed the VACON® NXP DCGuard™, a semiconductor protection device that can detect and cut off any DC fault currents and isolate the faulty part of the DC grid power distribution system in microseconds.

3.2 Application Functionality

VACON® NXP DCGuard™ is a fast DC current cutter device that detects and cuts off an outgoing short-circuit current. The main function is to isolate the faulty DC bus from the healthy DC bus, before that fault affects the healthy DC bus.

Two inverter units in a DCGuard peer-to-peer topology are required to be able to cut off short-circuit current both ways.

VACON® NXP DCGuard™ consist of VACON® NXP inverter units and application software ADFIF102. To ensure the correct functionality and safety level, always use the following components together with the DCGuard in a peer-to-peer system:

- An upstream mechanical disconnecter if safe disconnection is required.
- Type aR supply fuses in each DC supply line (see the VACON® NXP DCGuard™ design guide for instructions).
- A dU/dt filter (a standard VACON® dU/dt filter can be used).

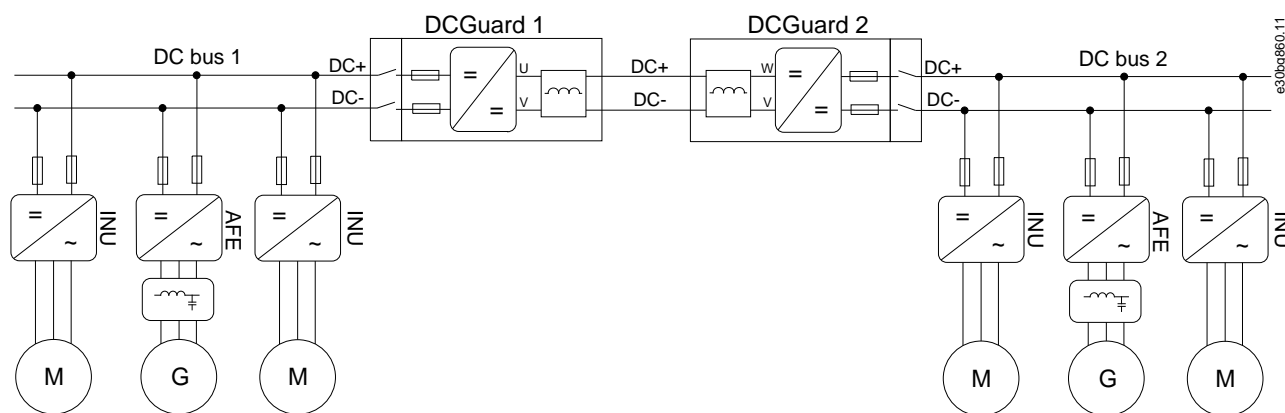


Illustration 1: VACON® NXP DCGuard™ Peer-to-Peer Topology

3.3 Protection Functions

The VACON® NXP DCGuard™ application has different short-circuit protection levels. The instant current cut-off is non-programmable, but the other functions can be programmed. The protection functions also have separate programmable responses.

Instant current cut-off

- Non-programmable
- Handled by VACON® NXP hardware at μ s level.
- Fault: F1

Rapid current cut-off

- Programmable
- Requires sufficient inductance in the output filter
- Handled by the system software at 50–100 μs level
- Faults: F63, F64, and F65

High current cut-off

- Programmable
- Handled by the application software at 100 ms level
- Faults: F86, F87, and F88

Over load detection

- Programmable
- Handled by the application software at 100 ms level
- Faults: F83, F84, and F85

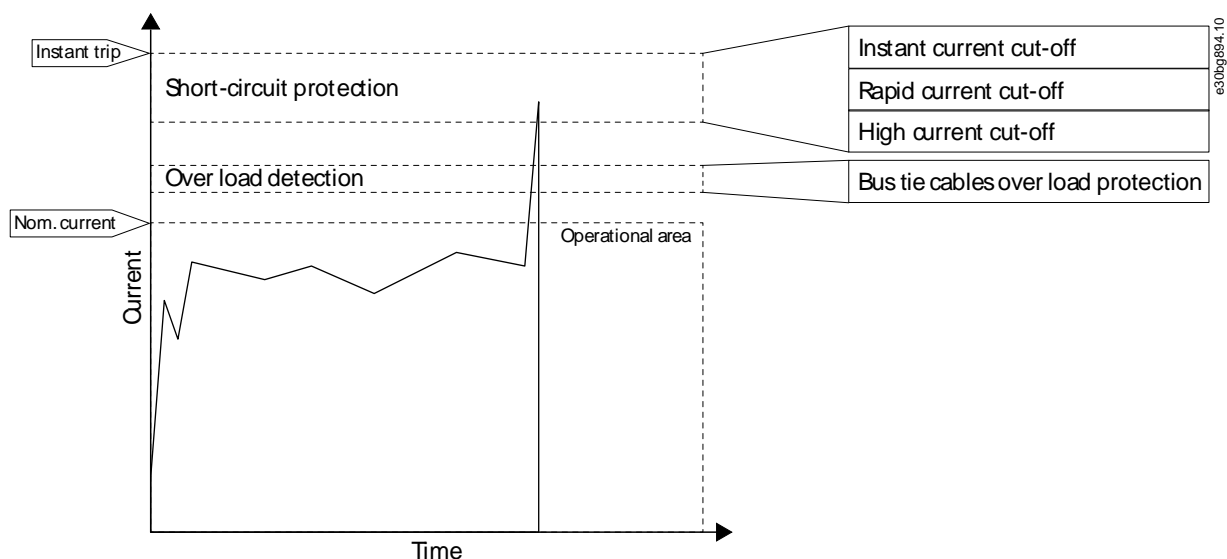


Illustration 2: VACON® NXP DCGuard™ Safety Layers

3.4 Controlled Voltage Ramp-Up

Controlled voltage ramp-up is a programmable function of the VACON® NXP DCGuard™ application. The DCGuard performs a controlled ramp-up of the voltage in the bus tie cables before closing. This functionality powers up the DC link of the peer-to-peer connection during start-up of the system. The recommended controlled voltage ramp-up time is 200–400 ms.

4 Electrical Installation

4.1 Cabling

The cabling of the VACON® NXP DCGuard™ inverter units is different depending on the unit type and nominal current of the units. See:

- [4.1.1 Wiring Diagrams for Air-Cooled Inverter Units](#)
- [4.1.2 Wiring Diagrams for Liquid-Cooled Inverter Units](#)

Definitions for the wiring diagrams:

Item	Definition
-F	Fuse, type aR. See the VACON® NXP DCGuard™ design guide for instructions on fuse selection.
-K	Mechanical disconnect
-L	Output di/dt filter

4.1.1 Wiring Diagrams for Air-Cooled Inverter Units

Wiring diagrams for air-cooled inverter units, 500 V (465–800 V DC):

- NXP0003–NXP0520, enclosure sizes FR4 to FI10, see [illustration 3](#).
- NXP0590–NXP0730, enclosure size FI12, see [illustration 4](#).
- NXP0820–NXP1030, enclosure size FI12, see [illustration 5](#).
- NXP1150–NXP1450, enclosure size FI13, see [illustration 6](#).
- NXP1770–NXP2150, enclosure size FI14, see [illustration 7](#).

Wiring diagrams for air-cooled inverter units, 690 V (640–1100 V DC):

- NXP0004–NXP0416, enclosure sizes FR4 to FI10, see [illustration 3](#).
- NXP0460–NXP0590, enclosure size FI12, see [illustration 4](#).
- NXP0650–NXP0820, enclosure size FI12, see [illustration 5](#).
- NXP0920–NXP1180, enclosure size FI13, see [illustration 6](#).
- NXP1500–NXP2250, enclosure size FI14, see [illustration 7](#).

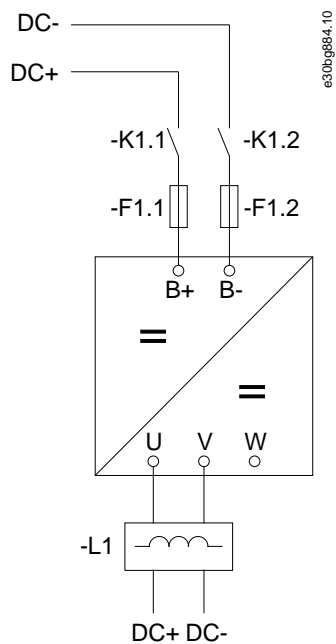


Illustration 3: Basic Wiring Diagram for Enclosure Sizes FR4–F10

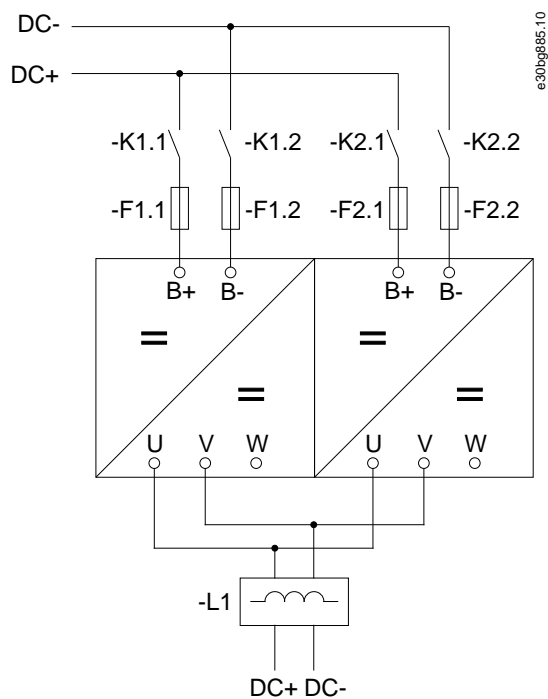


Illustration 4: Basic Wiring Diagram for Enclosure Size F112 with 1 Output Filter (only valid for 500 V NXP0590–NXP0730 and 690 V NXP0460–NXP0590)

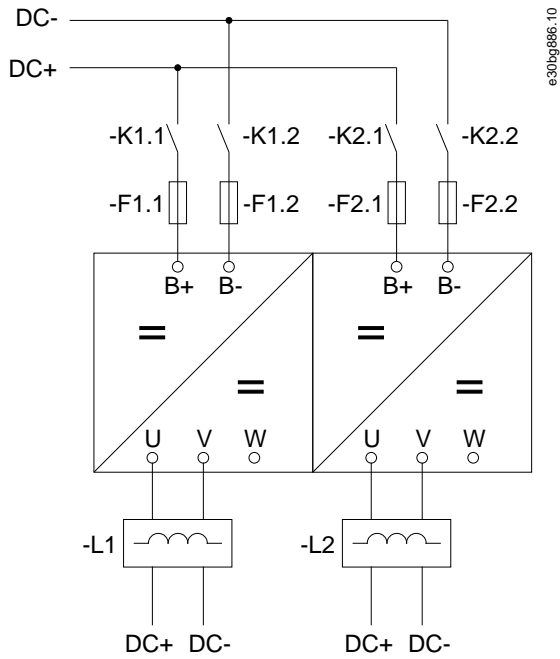


Illustration 5: Basic Wiring Diagram for Enclosure Size F112 with 2 Output Filters

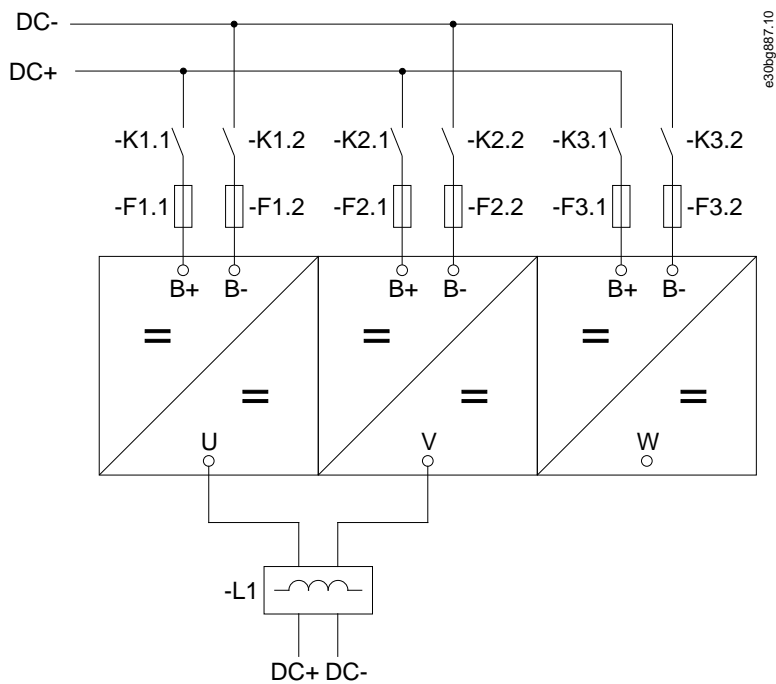


Illustration 6: Basic Wiring Diagram for Enclosure Size F113

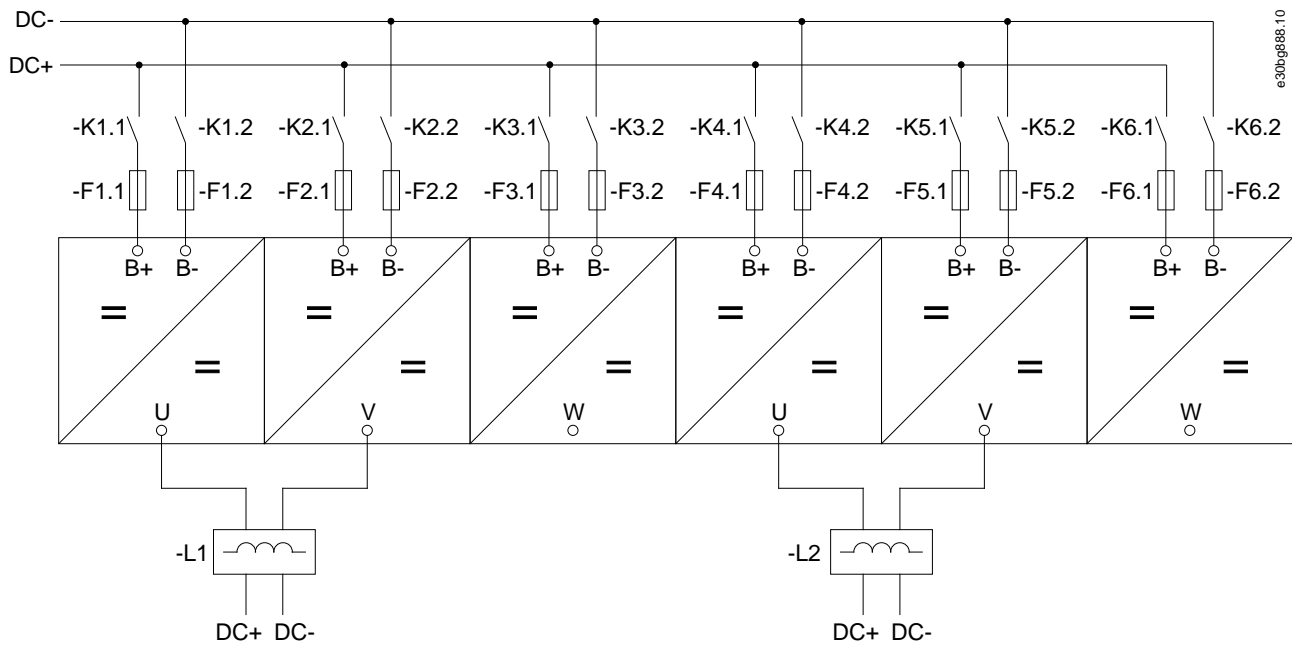


Illustration 7: Basic Wiring Diagram for Enclosure Size F114

4.1.2 Wiring Diagrams for Liquid-Cooled Inverter Units

Wiring diagrams for liquid-cooled inverter units, 500 V (465–800 V DC):

- NXP0016–NXP0730, enclosure sizes CH3 to CH62, see [illustration 8](#).
- NXP0820–NXP1150, enclosure size CH63, see [illustration 9](#).
- NXP1370, enclosure size CH64, see [illustration 10](#).
- NXP1640–NXP2300, enclosure size CH64, see [illustration 11](#).
- NXP2470–NXP4140, enclosure size 2 x CH64, see [illustration 12](#).

Wiring diagrams for liquid-cooled inverter units, 690 V (640–1100 V DC):

- NXP0170–NXP0502, enclosure sizes CH61 to CH62, see [illustration 8](#).
- NXP0590–NXP0750, enclosure size CH63, see [illustration 9](#).
- NXP0820–NXP1500, enclosure size CH64, see [illustration 10](#).
- NXP1700, enclosure size CH64, see [illustration 11](#).
- NXP1850–NXP3100, enclosure size 2 x CH64, see [illustration 12](#).

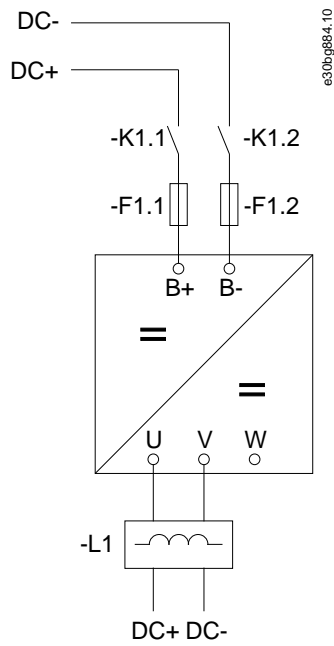


Illustration 8: Basic Wiring Diagram for Enclosure Sizes CH3-CH62

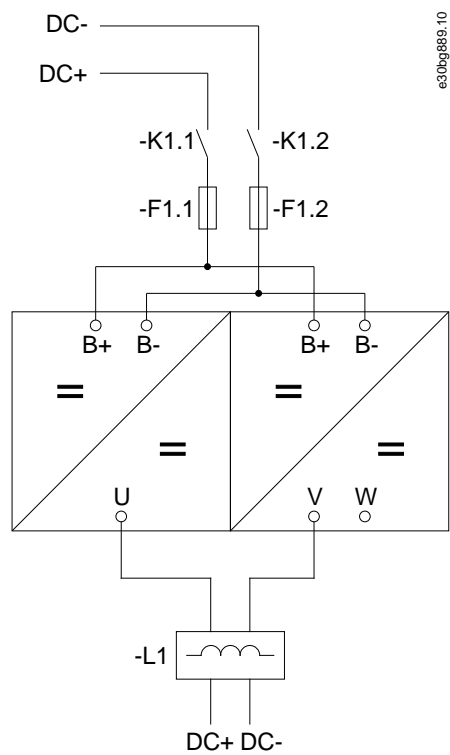


Illustration 9: Basic Wiring Diagram for Enclosure Size CH63

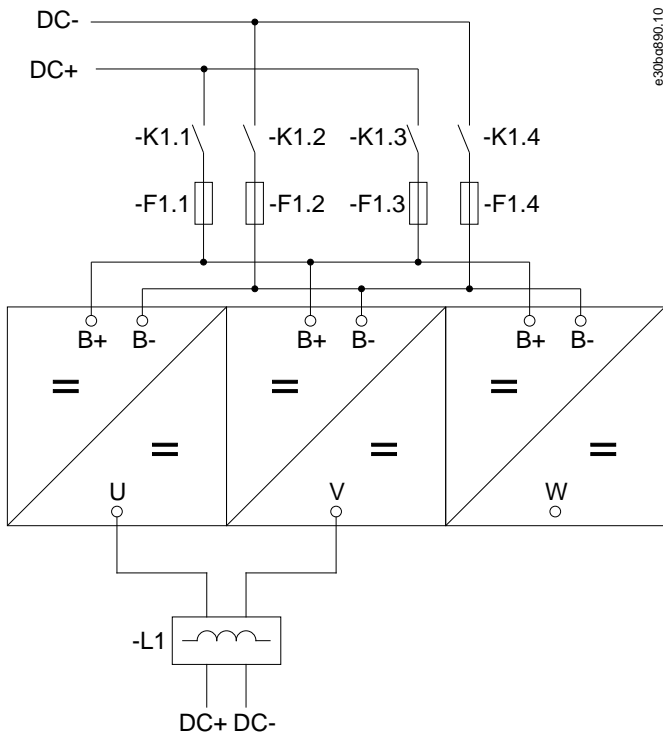


Illustration 10: Basic Wiring Diagram for Enclosure Size CH64 with 4 Input Fuses

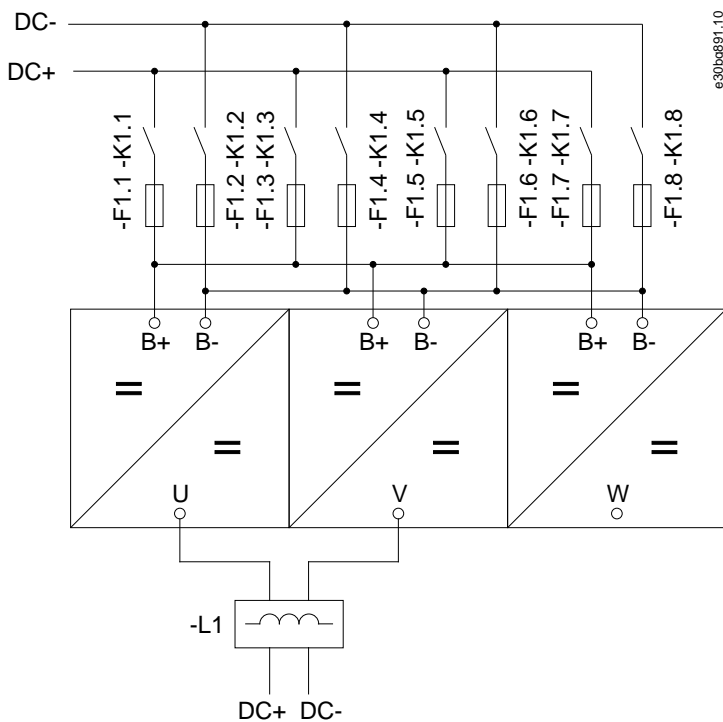


Illustration 11: Basic Wiring Diagram for Enclosure Size CH64 with 8 Input Fuses

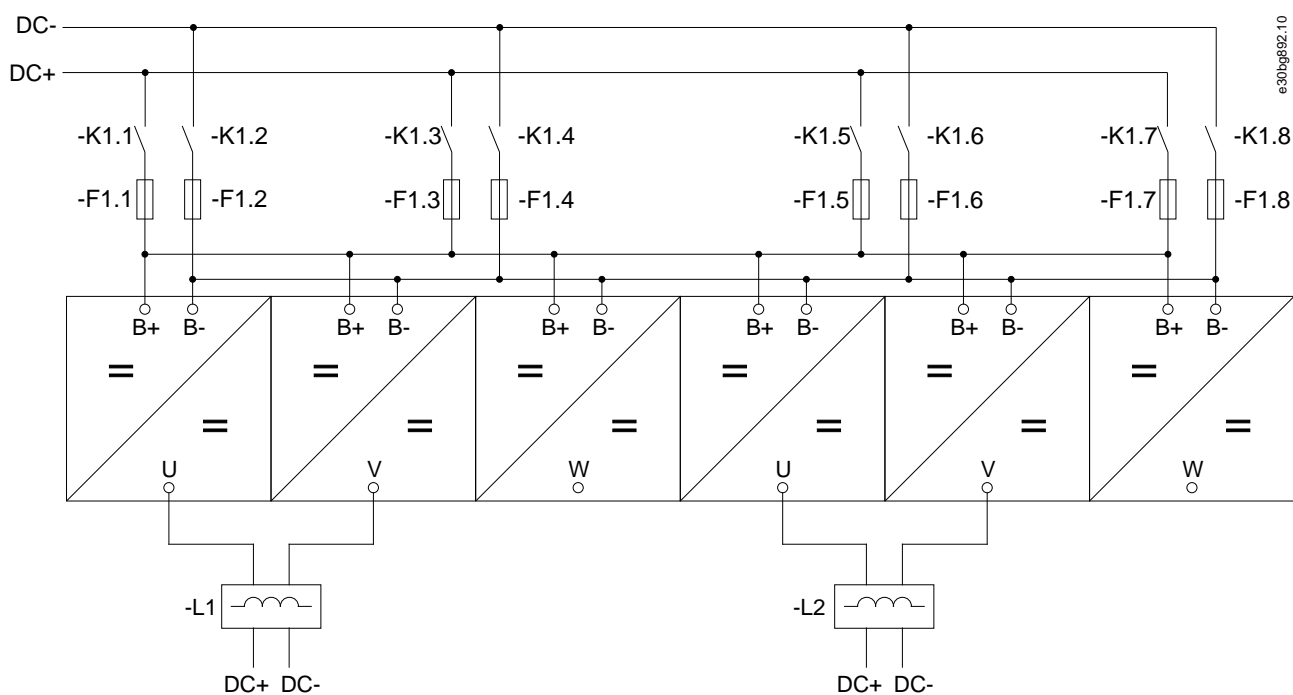


Illustration 12: Basic Wiring Diagram for Enclosure Size 2 x CH64

4.2 Terminal Definitions

The terminals used in the VACON® NXP DCGuard™ application are:

- DC-bus connections: Terminals B+ and B-
- Peer-to-peer connections: Terminals U, V, and W

The locations of the terminals in the different inverter unit enclosure sizes are shown in the illustrations in:

- [4.2.1 Terminal Locations in Air-Cooled Inverter Units](#)
- [4.2.2 Terminal Locations in Liquid-Cooled Inverter Units](#)

4.2.1 Terminal Locations in Air-Cooled Inverter Units

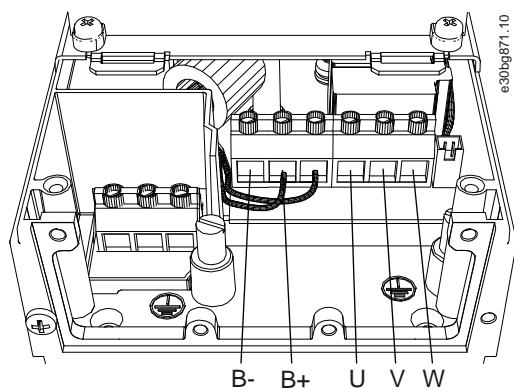


Illustration 13: Terminal Locations in Enclosure Sizes FR4 and FR5

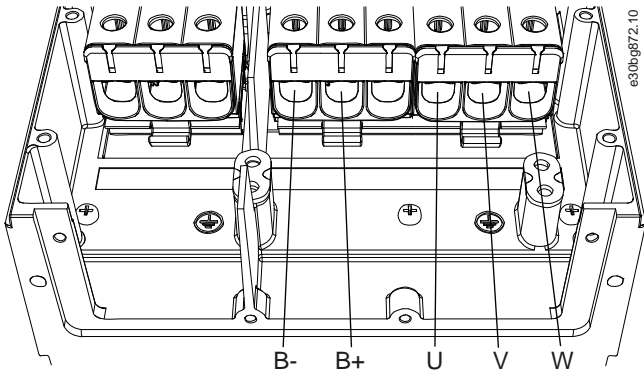


Illustration 14: Terminal Locations in Enclosure Size FR6

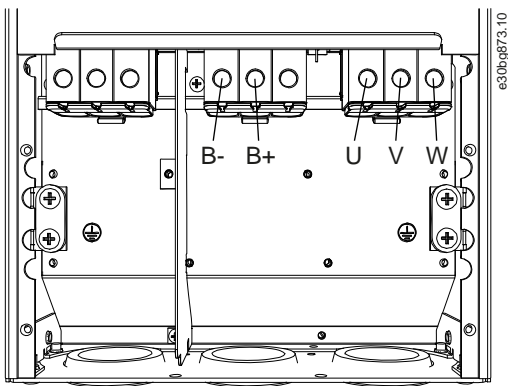


Illustration 15: Terminal Locations in Enclosure Size FR7

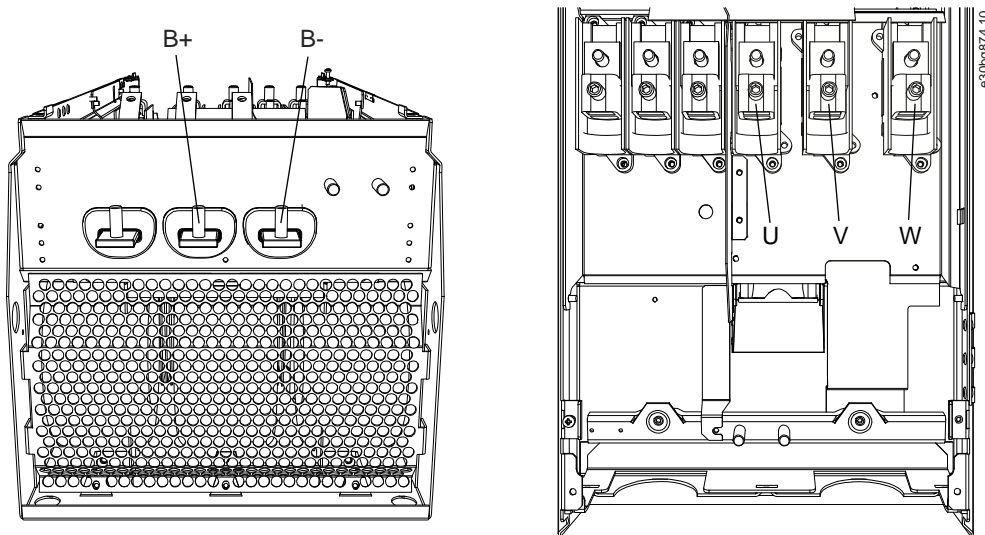
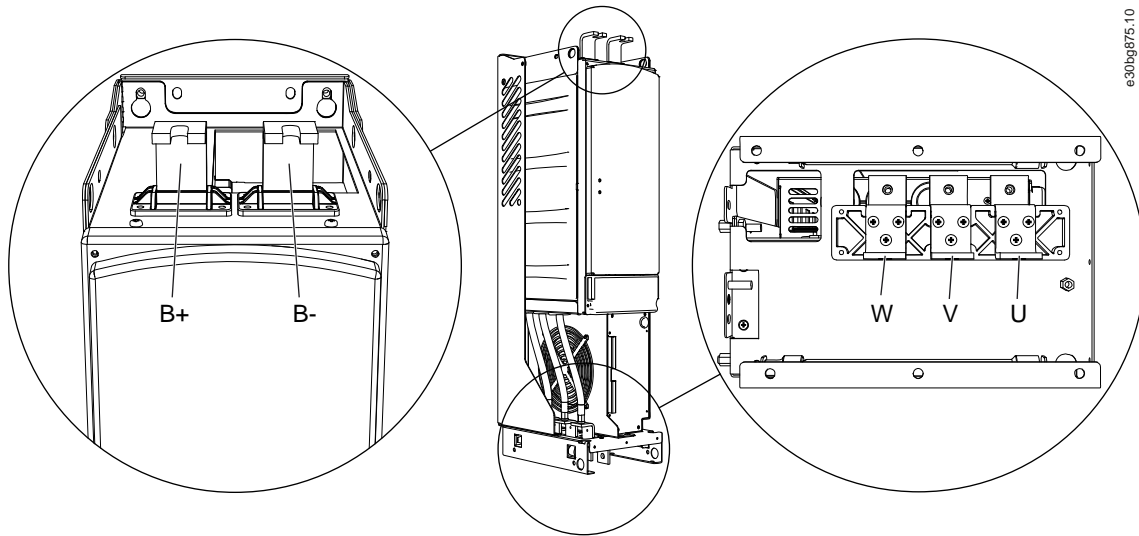
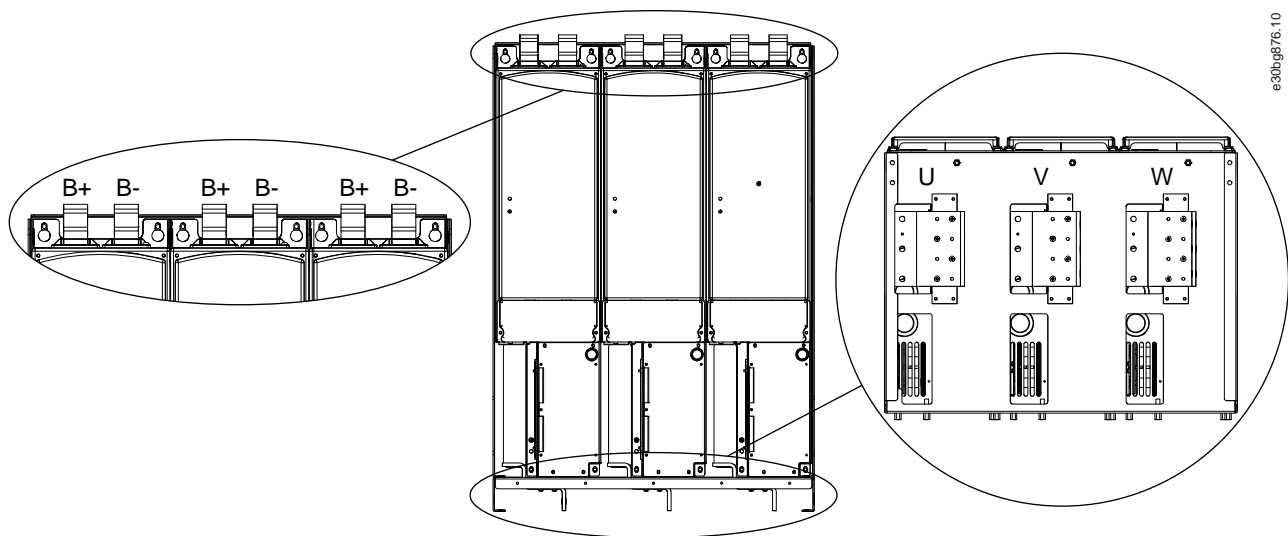


Illustration 16: Terminal Locations in Enclosure Size FR8



e30bg875.10

Illustration 17: Terminal Locations in Enclosure Sizes FI9, FI10, and FI12



e30bg876.10

Illustration 18: Terminal Locations in Enclosure Sizes FI13 and FI14

4.2.2 Terminal Locations in Liquid-Cooled Inverter Units

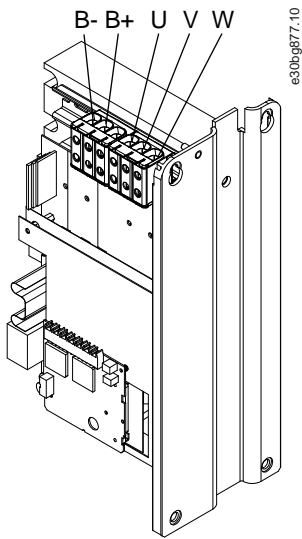


Illustration 19: Terminal Locations in Enclosure Size CH3

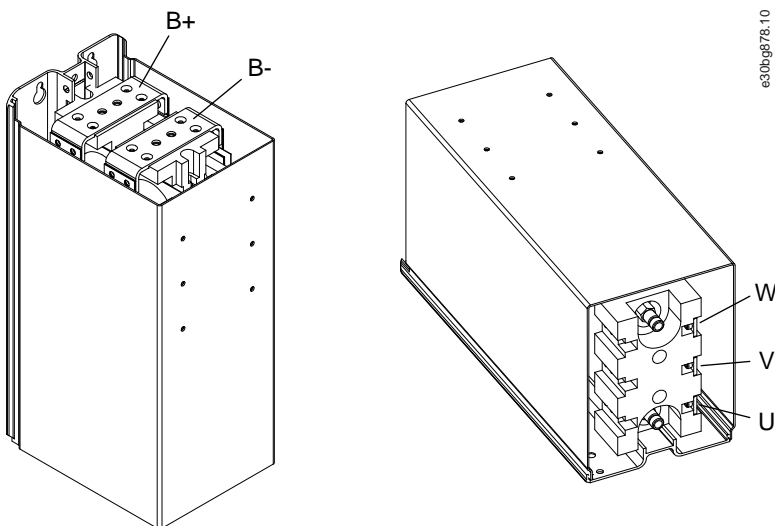


Illustration 20: Terminal Locations in Enclosure Size CH4

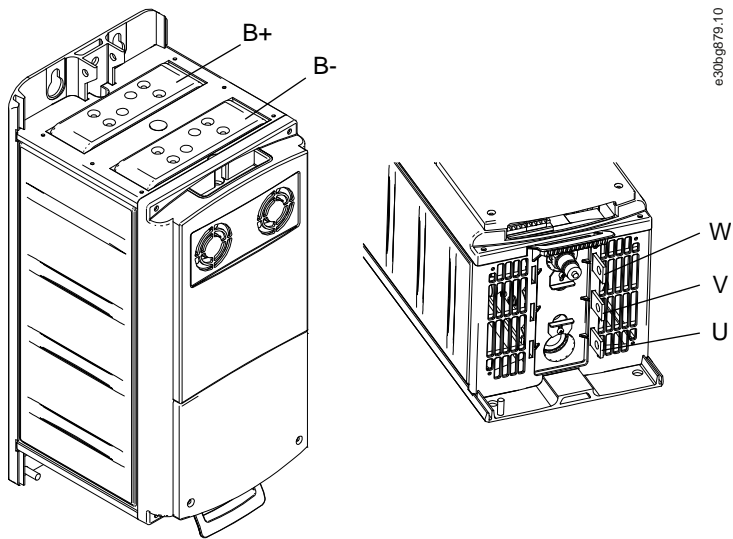


Illustration 21: Terminal Locations in Enclosure Size CH5

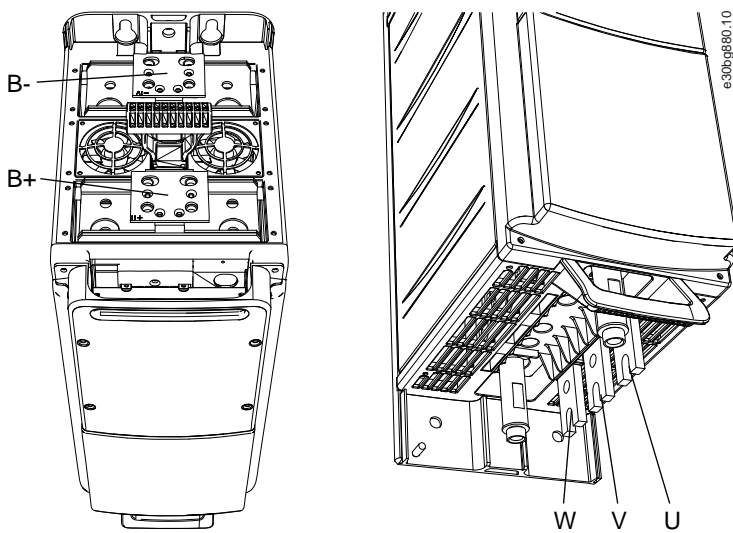


Illustration 22: Terminal Locations in Enclosure Size CH61

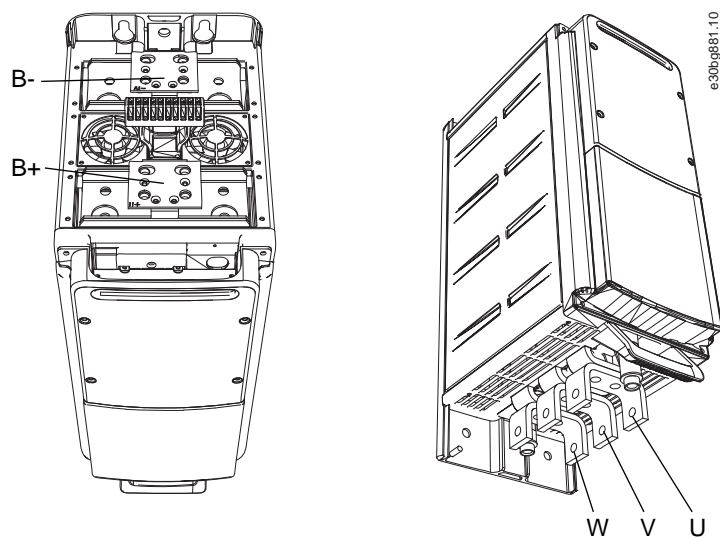


Illustration 23: Terminal Locations in Enclosure Size CH62

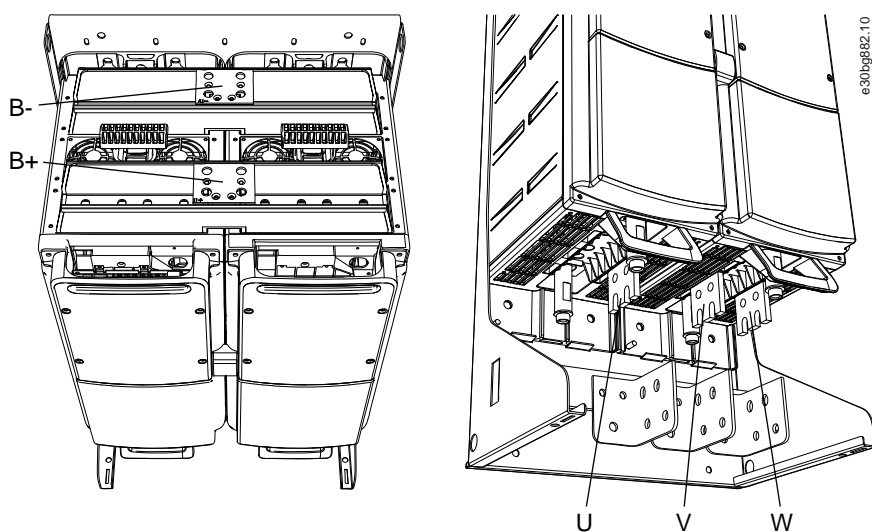


Illustration 24: Terminal Locations in Enclosure Size CH63

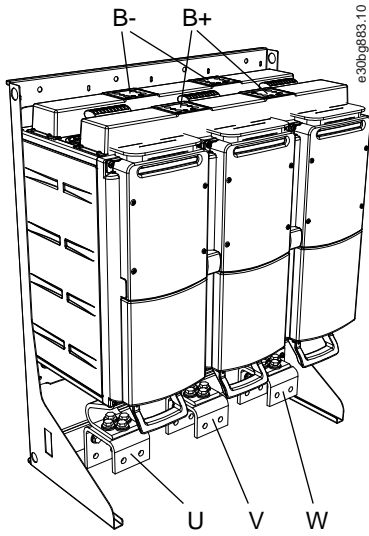


Illustration 25: Terminal Locations in Enclosure Size CH64

5 Control Unit

5.1 Control I/O Configuration

The figure shows the default I/O configuration for the VACON® NXP DCGuard™ application and a basic description of the terminals and signals of the I/O board.

For more information on control terminals, see the VACON® NXP DCGuard™ application guide.

Standard I/O board			
Terminal	Signal		Description
1	+10Vref	Reference voltage output	Voltage for potentiometer, etc.
2	AI1+	Analog input 1 Range 0-10 V, Ri = 200 Ω Range 0-20 mA Ri = 250 Ω	Analog input 1 Input range selected by jumpers Default range: Voltage 0-10 V
3	AI1-	I/O Ground	Ground for reference and controls
4	AI2+	Analog input 2 Range 0-10 V, Ri = 200 Ω	Analog input 2 Input range selected by jumpers
5	AI2-	Range 0-20 mA Ri = 250 Ω	Default range: Current 0-20 mA
6	+24V	Control voltage output	Voltage for switches, etc. max 0.1 A
7	GND	I/O ground	Ground for reference and controls
8	DIN1	Start Request (Close Request) Programmable G2.2	Contact closed = Start Request (Contact closed = Close Request)
9	DIN2	Programmable G2.2	No function defined at default
10	DIN3	Programmable G2.2	No function defined at default
11	CMA	Common for DIN1-DIN3	Connect to GND or +24 V
12	+24V	Control voltage output	Voltage for switches (see #6)
13	GND	I/O ground	Ground for reference and controls
14	DIN4	Programmable G2.2	No function defined at default
15	DIN5	Programmable G2.2	No function defined at default
16	DIN6	Programmable G2.2	No function defined at default
17	CMB	Common for DIN4-DIN6	Connect to GND or +24 V
18	AO1+	Analog output 1 Programmable G2.3	Output range selected by jumpers Range 0-20 mA, RL max. 500 Ω Range 0-10 V, RL > 1 kΩ
19	AO1-		
20	DO1	Digital output Programmable G2.3	Programmable Open collector, I ≤ 50 mA, U ≤ 48 V DC
OPTA2			
21	RO1	Relay output 1 Programmable G2.3	Switching capacity 24 V DC / 8 A 250 V AC / 8 A 125 V DC / 0.4 A
22	RO1		
23	RO1		
24	RO2	Relay output 2 Programmable G2.3	Switching capacity 24 V DC / 8 A 250 V AC / 8 A 125 V DC / 0.4 A
25	RO2		
26	RO2		

Illustration 26: The Default I/O Configuration for the VACON® NXP DCGuard™ Application

6 Parameter Settings

6.1 Setting the Parameters for the Application

This chapter lists and describes the parameters which must be set up for the VACON® NXP DCGuard™ application.

For more details and a list of all available parameters, see the VACON® NXP DCGuard™ application guide.

6.2 Basic Parameters

6.2.1 (ID 1503) Cabling

Location in the menu: P2.1.1

Use this parameter to select the cabling type of the DCGuard unit. Select the parameter according to the cabling set-up used in the peer-to-peer installation. The available options are:

- 0 = Not selected
The default setting. Drive operation is disabled.
- 1 = Three cable connection, U = DC+, V = DC-, W = DC+

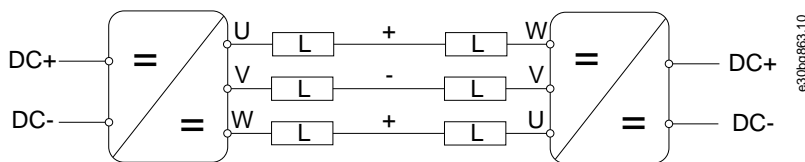


Illustration 27: DCGuard Three Cable Connection

- 2 = Two cable connection, U = DC+, V = DC-, W = not connected

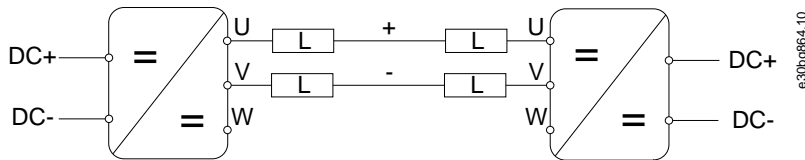


Illustration 28: DCGuard Two Cable Connection with Phases U and V

- 3 = Two cable connection, V = DC-, W = DC+, U = not connected

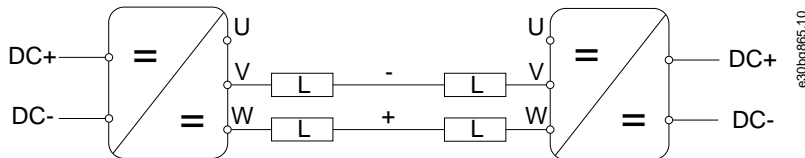


Illustration 29: DCGuard Two Cable Connection with Phases V and W

In a two cable peer-to-peer system, it is recommended to use the following set-up for the DCGuard units:

- DCGuard 1: U = DC+, V = DC-, W = not connected
 - Cabling type 2
- DCGuard 2: V = DC-, W = DC+, U = not connected
 - Cabling type 3

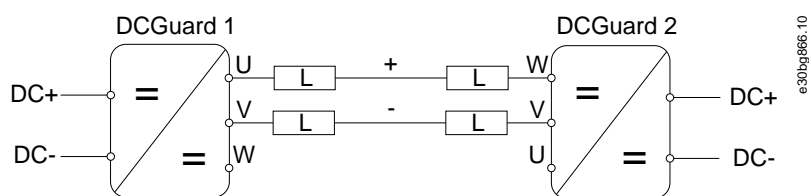


Illustration 30: The Recommended DCGuard Two Cable Connection

6.3 Instant Current Cut-Off

The VACON® NXP inverter handles the instant current cut-off and the function cannot be programmed. The tripping limit for the inverter is $3-4 \times I_H$.

6.4 Rapid Current Cut-Off

Set the tripping limit of the rapid current cut-off for each phase with parameters:

- *U Phase Trip Limit (P2.4.1.1)*
- *V Phase Trip Limit (P2.4.1.2)*
- *W Phase Trip Limit (P2.4.1.3)*

Set the response to the SW trips with parameter:

- *SW Trip Response (P2.4.1.6)*

6.4.1 (ID 1500) U Phase Trip Limit

Location in the menu: **P2.4.1.1**

Use this parameter to set the trip limit for the rapid current cut-off in the U phase. The tripping limit is set in % of the nominal current. The default setting in the peer-to-peer topology is 150%. The trip triggers fault F63.

- Nominal current in air-cooled inverter units = I_L
- Nominal current in liquid-cooled inverter units = I_{TH}

The system software handles the current cut-off functionality. The functionality depends on a sufficient inductance in the output filter. Standard dU/dt filters do not have enough inductance to ensure an exact tripping level.

6.4.2 (ID 1501) V Phase Trip Limit

Location in the menu: **P2.4.1.2**

Use this parameter to set the trip limit for the rapid current cut-off in the V phase. The tripping limit is set in % of the nominal current. The default setting in the peer-to-peer topology is 150%. The trip triggers fault F64.

- Nominal current in air-cooled inverter units = I_L
- Nominal current in liquid-cooled inverter units = I_{TH}

The system software handles the current cut-off functionality. The functionality depends on a sufficient inductance in the output filter. Standard dU/dt filters do not have enough inductance to ensure an exact tripping level.

6.4.3 (ID 1502) W Phase Trip Limit

Location in the menu: **P2.4.1.3**

Use this parameter to set the trip limit for the rapid current cut-off in the W phase. The tripping limit is set in % of the nominal current. The default setting in the peer-to-peer topology is 150%. The trip triggers fault F65.

- Nominal current in air-cooled inverter units = I_L
- Nominal current in liquid-cooled inverter units = I_{TH}

The system software handles the current cut-off functionality. The functionality depends on a sufficient inductance in the output filter. Standard dU/dt filters do not have enough inductance to ensure an exact tripping level.

6.4.4 (ID 1874) SW Trip Response

Location in the menu: **P2.4.1.6**

Use this parameter to set the SW trip response when the current is above the limit set for the rapid current cut-off (see ID 1500, ID 1501, and ID 1502).

- 0 = No Action
- 1 = Warning information
- 2 = Fault

For selection 2, there is a separate fault code for each phase:

- F63, U phase overcurrent
- F64, V phase overcurrent
- F65, W phase overcurrent

6.5 High Current Cut-Off

6.5.1 Parameter Settings for High Current Cut-Off

Set the response to the high current cut-off for each phase with parameters:

- *U High Current Response (P2.8.5.1)*
- *V High Current Response (P2.8.6.1)*
- *W High Current Response (P2.8.7.1)*

Set the tripping limit of the high current cut-off for each phase with parameters:

- *U Trip Limit (P2.8.5.2)*
- *V Trip Limit (P2.8.6.2)*
- *W Trip Limit (P2.8.7.2)*

Set the trip delay for the high current cut-off for each phase with parameters:

- *U Trip Delay (P2.8.5.3)*
- *V Trip Delay (P2.8.6.3)*
- *W Trip Delay (P2.8.7.3)*

6.5.2 U Phase Current Protection

6.5.2.1 (ID 1550) U High Current Response

Location in the menu: **P2.8.5.1**

Use this parameter to set the trip response when the current is above the set limit in phase U for the time set for the high current cut-off.

- 0 = No Action
- 1 = Warning information
- 2 = Fault

Selection 2 gives the fault code F86, U high current.

6.5.2.2 (ID 1551) U Trip Limit

Location in the menu: **P2.8.5.2**

Use this parameter to set the trip limit for the high current cut-off in the U phase. The tripping limit is set in % of the nominal current. The trip triggers fault F86.

- Nominal current in air-cooled inverter units = I_L
- Nominal current in liquid-cooled inverter units = I_{TH}

The application software handles the current cut-off functionality at the 10 ms level.

6.5.2.3 (ID 1552) U Trip Delay

Location in the menu: **P2.8.5.3**

Use this parameter to set the trip delay for the high current cut-off in the U phase.

6.5.3 V Phase Current Protection

6.5.3.1 (ID 1553) V High Current Response

Location in the menu: **P2.8.6.1**

Use this parameter to set the trip response when the current is above the set limit in phase V for the time set for the high current cut-off.

- 0 = No Action
- 1 = Warning information
- 2 = Fault

Selection 2 gives the fault code F87, V high current.

6.5.3.2 (ID 1554) V Trip Limit

Location in the menu: **P2.8.6.2**

Use this parameter to set the trip limit for the high current cut-off in the V phase. The tripping limit is set in % of the nominal current. The trip triggers fault F87.

- Nominal current in air-cooled inverter units = I_L
- Nominal current in liquid-cooled inverter units = I_{TH}

The application software handles the current cut-off functionality at the 10 ms level.

6.5.3.3 (ID 1555) V Trip Delay

Location in the menu: **P2.8.6.3**

Use this parameter to set the trip delay for the high current cut-off in the V phase.

6.5.4 W Phase Current Protection

6.5.4.1 (ID 1556) W High Current Response

Location in the menu: **P2.8.7.1**

Use this parameter to set the trip response when the current is above the set limit in phase W for the time set for the high current cut-off.

- 0 = No Action
- 1 = Warning information
- 2 = Fault

Selection 2 gives the fault code F88, W high current.

6.5.4.2 (ID 1558) W Trip Limit

Location in the menu: **P2.8.7.2**

Use this parameter to set the trip limit for the high current cut-off in the W phase. The tripping limit is set in % of the nominal current. The trip triggers fault F88.

- Nominal current in air-cooled inverter units = I_L
- Nominal current in liquid-cooled inverter units = I_{TH}

The application software handles the current cut-off functionality at the 10 ms level.

6.5.4.3 (ID 1559) W Trip Delay

Location in the menu: P2.8.7.3

Use this parameter to set the trip delay for the high current cut-off in the W phase.

6.6 Over Load Protection

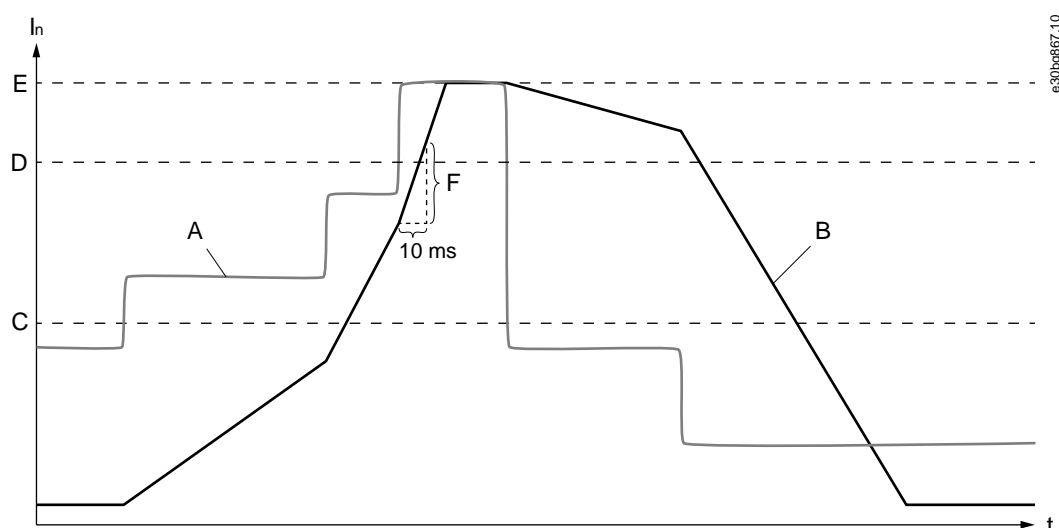
6.6.1 Function Description

The over load protection function protects the DC cables. The function is based on an internal counter. The counter value is increased when the input current is above the *Minimum input* level and decreased when below the value. The increase or decrease occurs every 10 ms.

The over load trip is done when the over load counter value is over 10000.

The parameter *Maximum step* defines the increase when the input reaches the maximum defined input level (*Maximum input*). The minimum and maximum input points also define the slope for the function. For example, if the input current is in the middle of the minimum and maximum input values, the counter increases by half of the value set with *Maximum step* parameter.

The over load counter calculation is done individually for each phase.



A	Motor current in % of the nominal current rating	B	Over load counter value
C	Minimum input	D	Maximum input
E	Over load trip level	F	Maximum step

Illustration 31: Example of the Internal Counter Value as a Function of the Motor Current

Example:

Parameter example for tripping at 120% after 20 s:

- P2.8.X.1, X Overload Response = 2
- P2.8.X.2, Minimum Input = 101%
- P2.8.X.3, Maximum Input = 120%
- P2.8.X.4, Maximum Step = 5

Tripping time = $10000 / (P2.8.X.4 \times 100) = 10000 / (5 \times 100) = 20$ s

6.6.2 U Phase Over Load Protection

6.6.2.1 (ID 1524) U Over Load Response

Location in the menu: **P2.8.2.1**

Use this parameter to set the trip response when the over load protection counter is above the tripping limit in phase U.

- 0 = No Action
- 1 = Warning information
- 2 = Fault

Selection 2 gives the fault code F83, U phase over load.

6.6.2.2 (ID 1504) Minimum Input U

Location in the menu: **P2.8.2.2**

Use this parameter to set the U phase current level in % of the rated current when the over load counter starts to increase.

6.6.2.3 (ID 1505) Maximum Input U

Location in the menu: **P2.8.2.3**

Use this parameter to set the input value level for phase U where the over load counter is increased with the maximum step defined by parameter ID 1506.

6.6.2.4 (ID 1506) Maximum Step U

Location in the menu: **P2.8.2.4**

Use this parameter to set the step in the phase U over load counter when the input value is at the maximum input level defined by parameter ID 1505.

6.6.3 V Phase Over Load Protection

6.6.3.1 (ID 1525) V Over Load Response

Location in the menu: **P2.8.3.1**

Use this parameter to set the trip response when the over load protection counter is above the tripping limit in phase V.

- 0 = No Action
- 1 = Warning information
- 2 = Fault

Selection 2 gives the fault code F84, V phase over load.

6.6.3.2 (ID 1531) Minimum Input V

Location in the menu: **P2.8.3.2**

Use this parameter to set the V phase current level in % of the rated current when the over load counter starts to increase.

6.6.3.3 (ID 1532) Maximum Input V

Location in the menu: **P2.8.3.3**

Use this parameter to set the input value level for phase V where the over load counter is increased with the maximum step defined by parameter ID 1533.

6.6.3.4 (ID 1533) Maximum Step V

Location in the menu: **P2.8.3.4**

Use this parameter to set the step in the phase V over load counter when the input value is at the maximum input level defined by parameter ID 1532.

6.6.4 W Phase Over Load Protection

6.6.4.1 (ID 1526) W Over Load Response

Location in the menu: **P2.8.4.1**

Use this parameter to set the trip response when the over load protection counter is above the tripping limit in phase W.

- 0 = No Action
- 1 = Warning information
- 2 = Fault

Selection 2 gives the fault code F85, W phase over load.

6.6.4.2 (ID 1534) Minimum Input W

Location in the menu: **P2.8.4.2**

Use this parameter to set the W phase current level in % of the rated current when the over load counter starts to increase.

6.6.4.3 (ID 1535) Maximum Input W

Location in the menu: **P2.8.4.3**

Use this parameter to set the input value level for phase W where the over load counter is increased with the maximum step defined by parameter ID 1536.

6.6.4.4 (ID 1536) Maximum Step W

Location in the menu: **P2.8.4.4**

Use this parameter to set the step in the phase W over load counter when the input value is at the maximum input level defined by parameter ID 1535.

6.7 Controlled Voltage Ramp-Up

6.7.1 (ID 601) Switching Frequency

Location in the menu: **P2.5.1**

Use this parameter to set the switching frequency for the controlled ramp up of the voltage in the DC cables out of the DCGuard. The switching frequency is used only during the charging procedure. The default setting is 5.0 kHz.

6.7.2 (ID 606) Pulse Ratio

Location in the menu: **P2.5.2**

Use this parameter to set the minimum pulse ratio for charging the DC link of the DCGuard peer-to-peer connection. The charging is started with a certain minimum voltage, not from zero voltage.

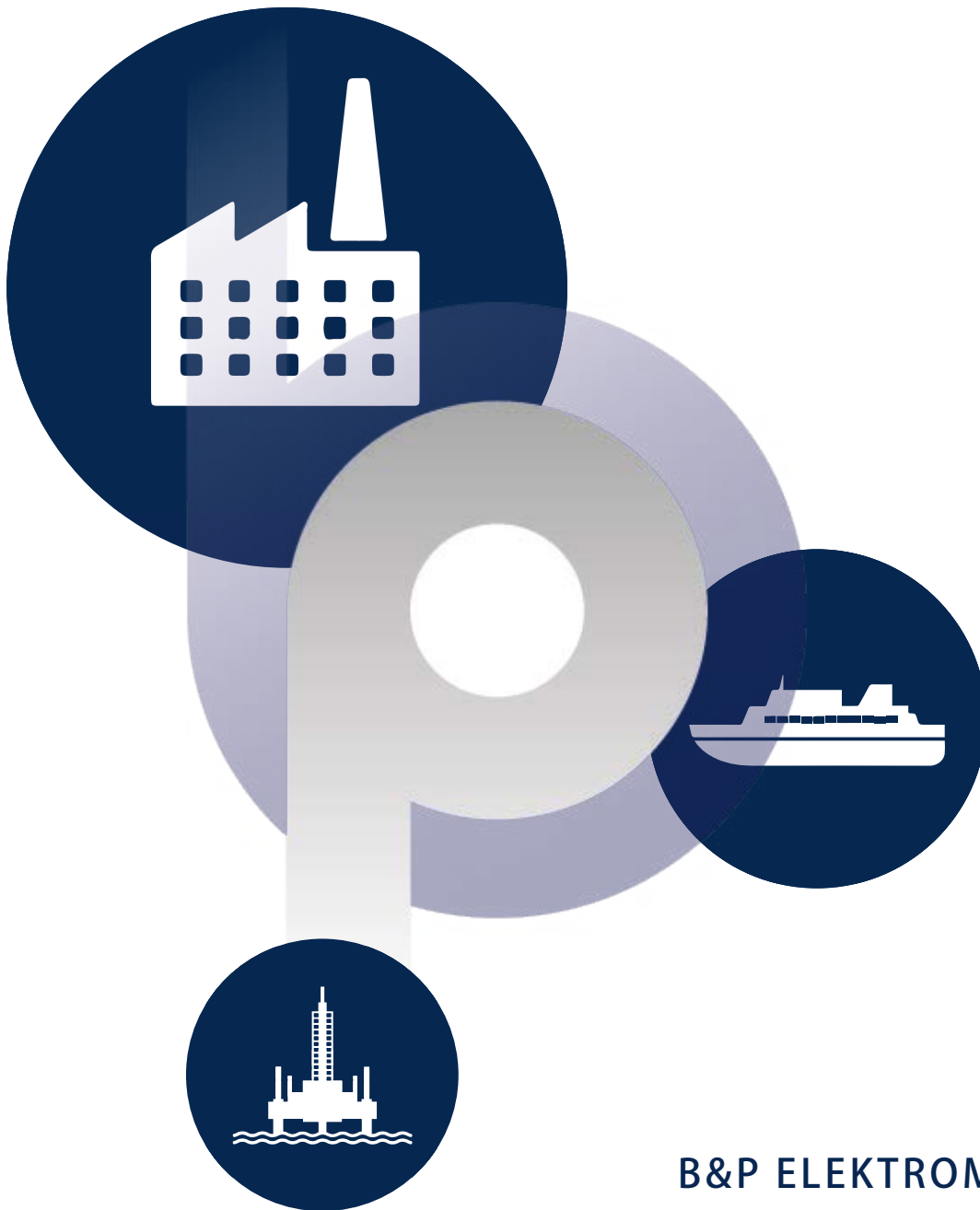
6.7.3 (ID 1541) Voltage Rise Time

Location in the menu: **P2.5.3**

Use this parameter to set the voltage rise time to full DC-link voltage in the bus tie cables. The recommended voltage rise time is 200–400 ms.

Index

A	
Approvals and certifications	5
C	
Cabling	10
Cabling (ID 1503)	25
Control I/O	23
Controlled voltage ramp-up	9
D	
Disposal	5
F	
Functional description	8
H	
High current cut-off	27
I	
I/O configuration	23
Instant current cut-off	26
Intended use	8
M	
Maximum input U (ID 1505)	31
Maximum input V (ID 1532)	32
Maximum input W (ID 1535)	33
Maximum step U (ID 1506)	31
Maximum step V (ID 1533)	32
Maximum step W (ID 1536)	33
Minimum input U (ID 1504)	31
Minimum input V (ID 1531)	32
Minimum input W (ID 1534)	32
O	
Over load protection	30
Overview	8
P	
Parameters	25
Protection functions	8
Pulse ratio (ID 606)	33
Purpose of the manual	5
Q	
Qualified personnel	5
R	
Rapid current cut-off	26
S	
Safety	7
SW trip response (ID 1874)	27
Switching frequency (ID 601)	33
T	
Terminals	16
U	
U high current response (ID 1550)	28
U over load response (ID 1524)	31
U phase trip limit (ID 1500)	26
U trip delay (ID 1552)	28
U trip limit (ID 1551)	28
V	
V high current response (ID 1553)	28
V over load response (ID 1525)	31
V phase trip limit (ID 1501)	26
V trip delay (ID 1555)	29
V trip limit (ID 1554)	29
Voltage rise time (ID 1541)	33
W	
W high current response (ID 1556)	29
W over load response (ID 1526)	32
W phase trip limit (ID 1502)	27
W trip delay (ID 1559)	30
W trip limit (ID 1558)	29
Wiring diagrams	
Air-cooled inverter units	10
Liquid-cooled inverter units	13



B&P ELEKTROMOTOREN BV

Ampèrestraat 8F
4004 KB Tiel

info@bnpelektromotoren.nl

+31 (0)344 616 267

BTW nr. NL819113918B01

KvK nr. 30237800

ING Bank NL60 INGB 0675 304 792



www.bnpelektromotoren.nl