

C/Meas. added

VAGON

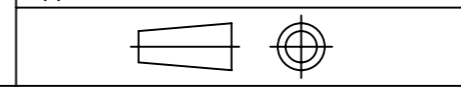
Material:
Finishing:

Product:
Name: MR9_Dimension_drawing_IP21/54
Add. Info 1:
Add. Info 2:

Designer: 24.5.2009 P. Kinnari
Approved: NA

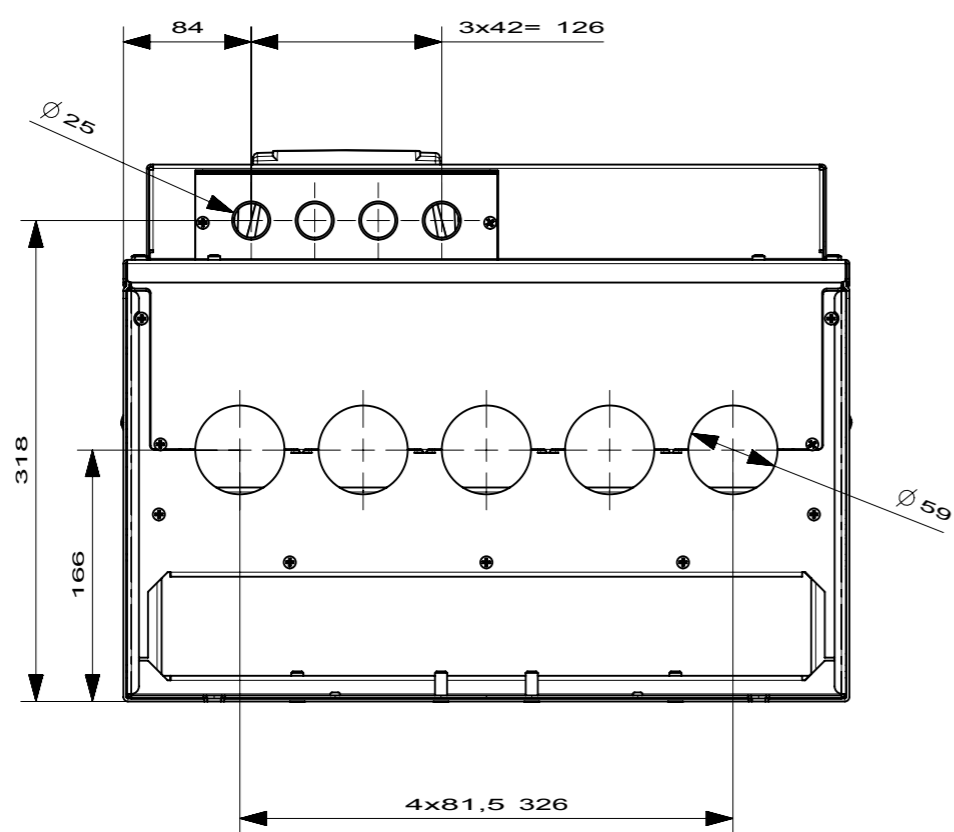
Gen.Tol:
Scale: 1:5

Sheet A3
Page 1/3
Revision

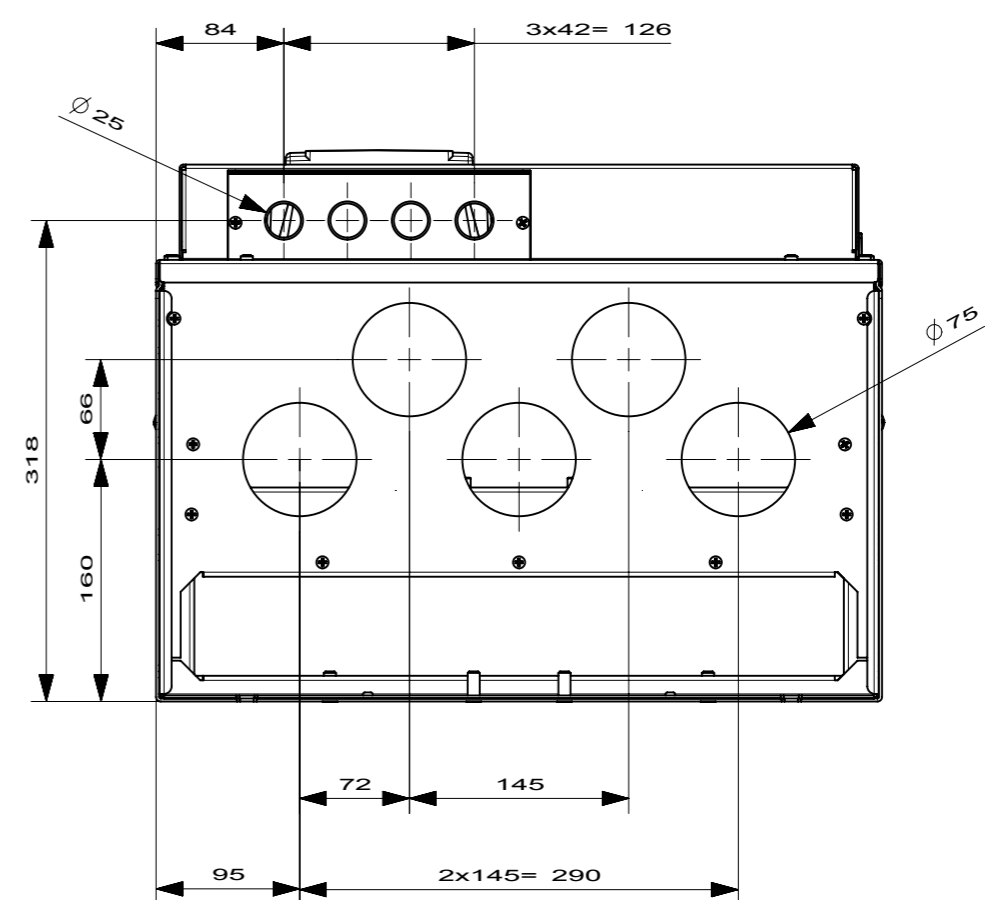


Doc. no. 70CMC00191
Revision C

Metric Openings



UL Openings



VAGON

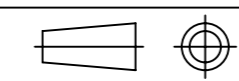
Material:
Finishing:

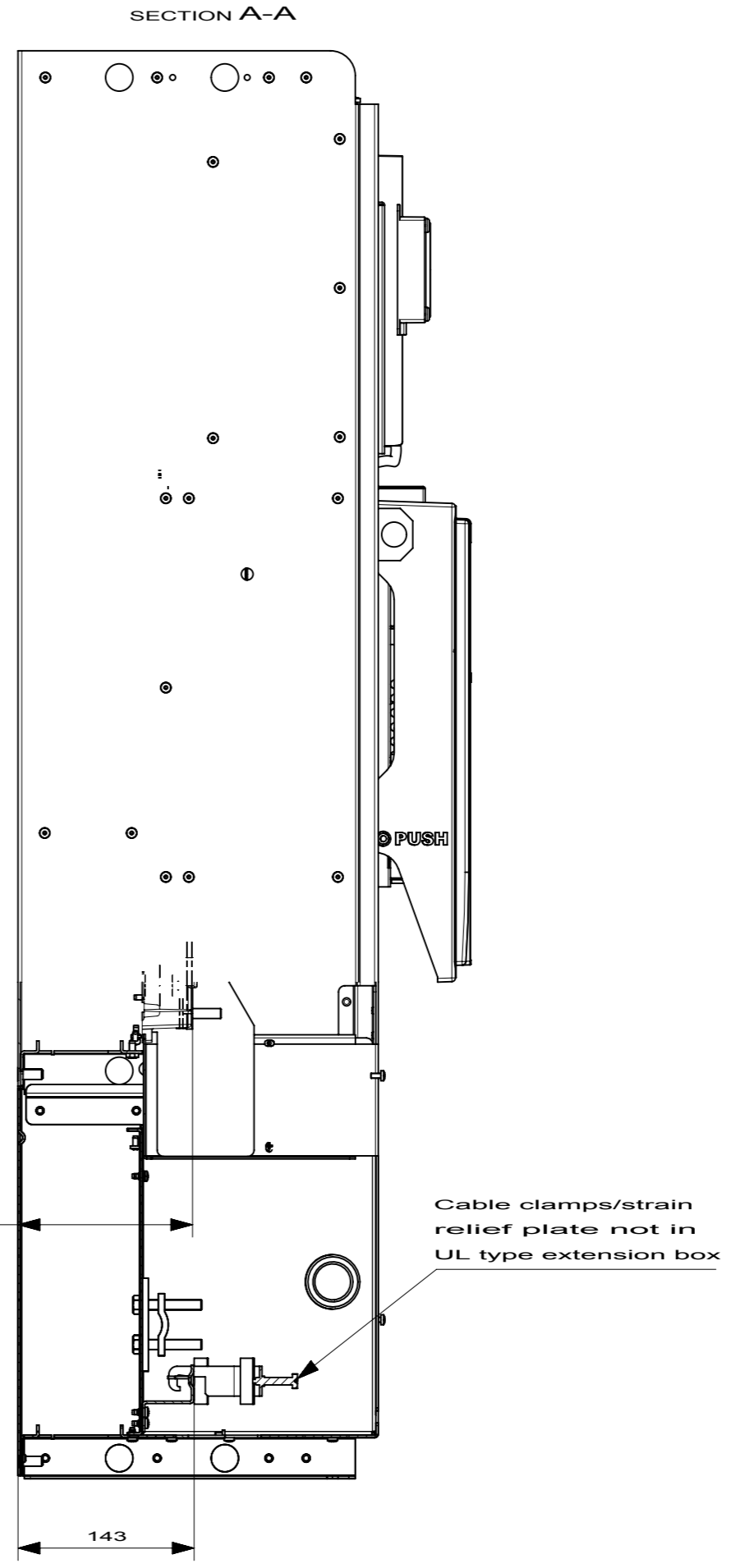
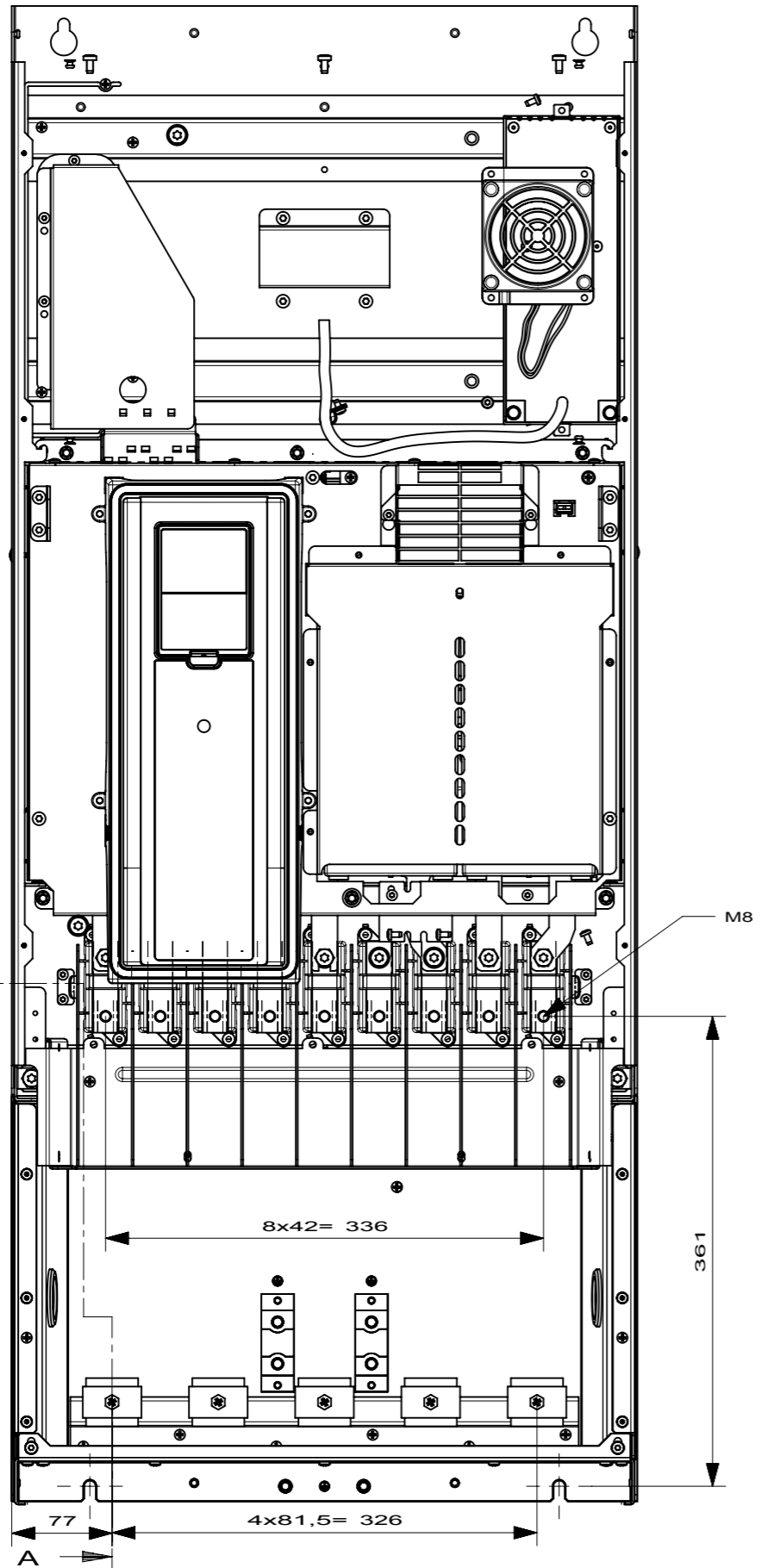
Product:
Name: MR9_Dimension_drawing_IP21/54
Add. Info 1:
Add. Info 2:

Designer: 24.5.2009 P. Kinnari
Approved: NA

Gen.Tol:
Scale: 1:5
Doc. no.
70CMC00191

Sheet A3
Page 2/3
Revision
C





VAGON

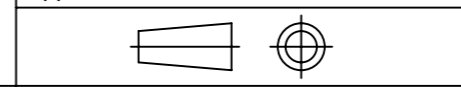
Material:
Finishing:

Product:
Name: MR9_Dimension_drawing_IP21/54
Add. Info 1:
Add. Info 2:

Designer: 24.5.2009 P. Kinnari
Approved: NA

Gen.Tol:
Scale: 1:5

Sheet A3
Page 3/3



Doc. no. 70CMC00191
Revision C