

1 2 3 4 5 6 7 8

A

B

C

D

E

F

A

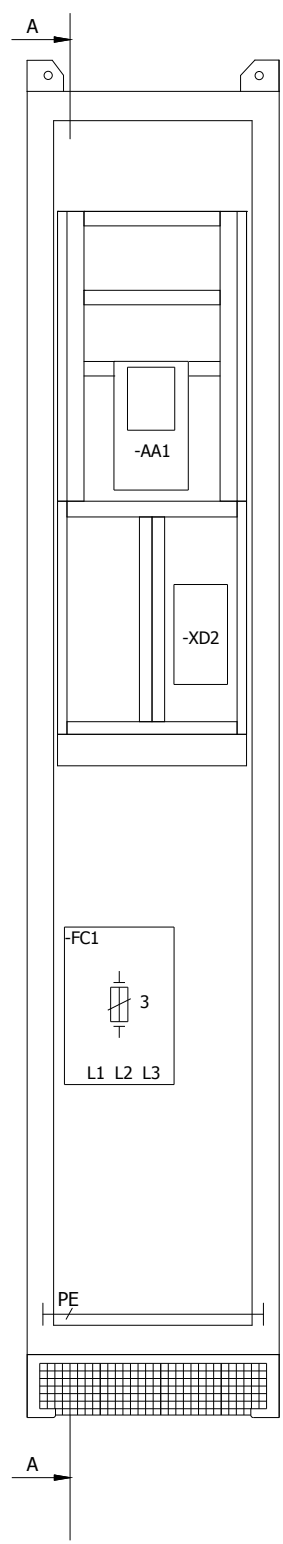
B

C

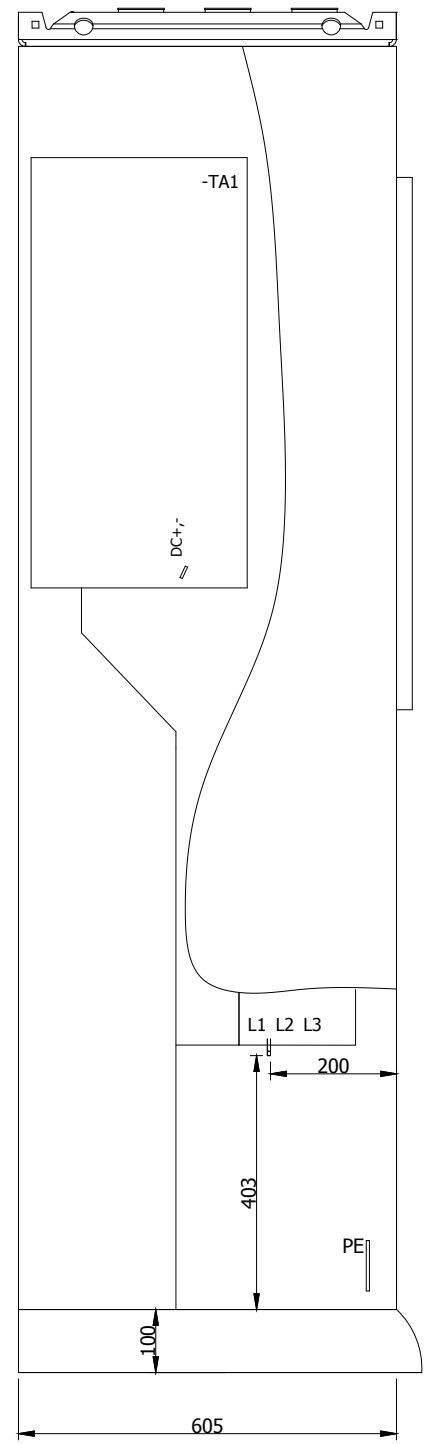
D

E

F



View A-A



VAGON[®]

Proj. nr NLJAC-000031_1
 Project name CUSTOMER

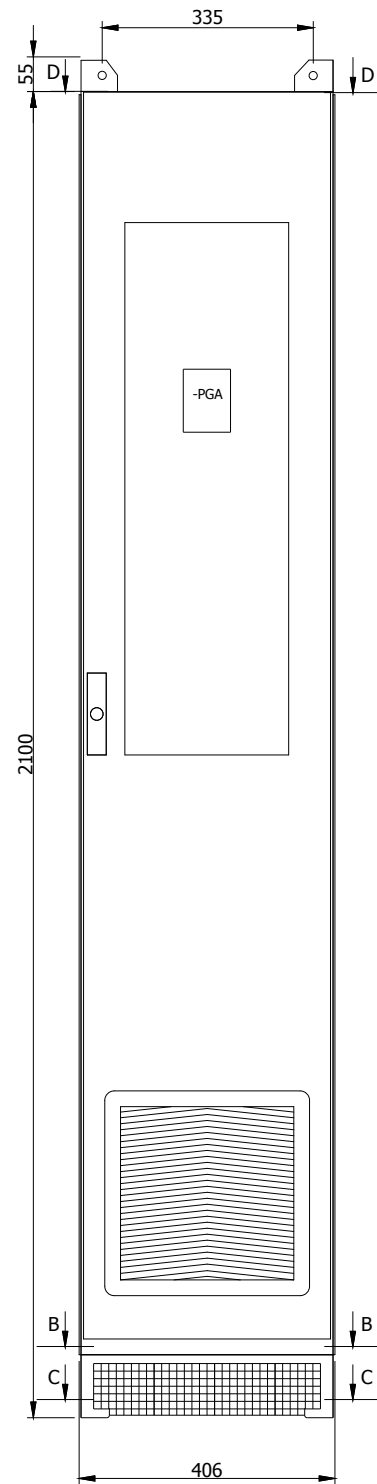
Prepared
 Approved
 Document Id =TAD+PLO/3
 External doc. Id

End customer description

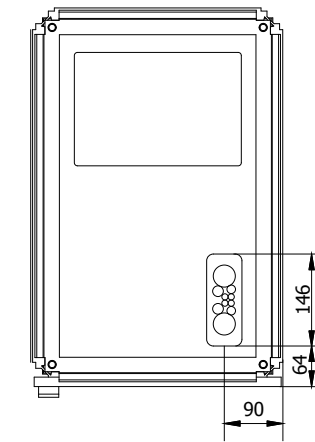
Language	EN
Revision	
Page	3
Continue	4

A
B
C
D
E
F

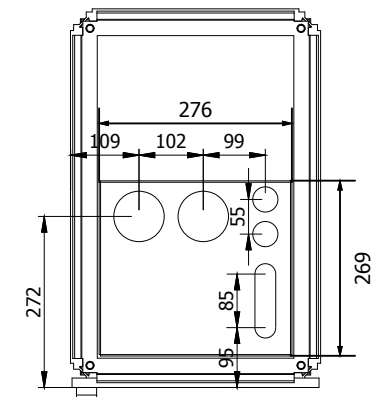
1 2 3 4 5 6 7 8



View D-D



View B-B



View C-C

