

1 2 3 4 5 6 7 8

A

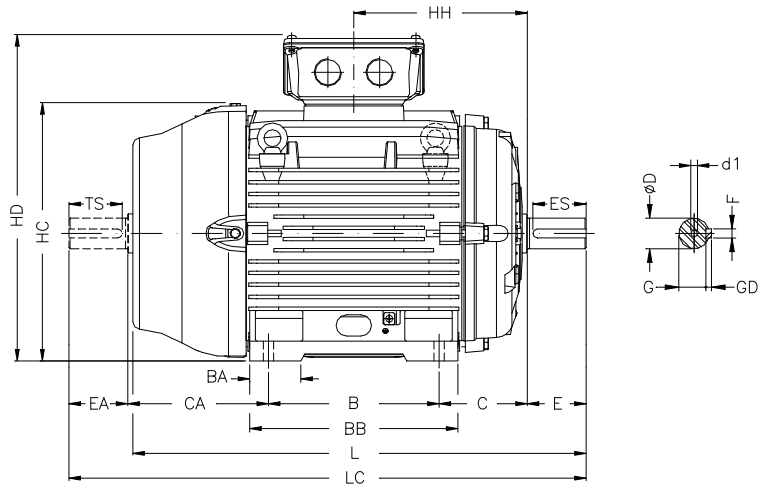
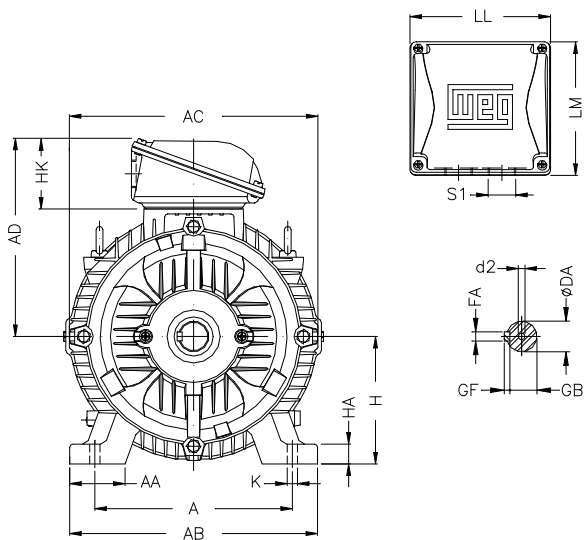
B

C

D

E

F



| | | | | |
|-----------|------|------|-------|-------|
| A | AA | AB | AC | AD |
| 318 | 82 | 385 | 402 | 319 |
| B | BA | BB | C | CA |
| 305 | 82 | 370 | 133 | 222 |
| D | E | ES | F | G |
| 55m6 | 110 | 80 | 16 | 49 |
| GD | DA | EA | TS | FA |
| 10 | 48k6 | 110 | 80 | 14 |
| GB | GF | H | HA | HB |
| 42.5 | 9 | 200 | 30 | 119 |
| HC | HD | HF | HH | HK |
| 407 | 519 | 218 | 285.5 | 119.5 |
| K | L | LC | LL | LM |
| 18.5 | 767 | 880 | 230 | 220 |
| S1 | d1 | d2 | | |
| 2xM50x1.5 | DM20 | DM16 | | |

Notes:

Performed by:

Checked:

Customer: B&P elektromotoren BV

W22 - Cast Iron Frame - High Efficiency - IE2

Three-phase induction motor
Frame 200L - IP55

23-JUN-2016

